

INVERTER FR-F800-E



FR-F806-E (IP55/UL Type 12 SPECIFICATIONS) INSTRUCTION MANUAL (HARDWARE)

Inverter for fans and pumps

FR-F846-00023(0.75K) to 03610(160K)-E



INTRODUCTION	1
INSTALLATION AND WIRING	2
PRECAUTIONS FOR USE OF THE INVERTER	3
PROTECTIVE FUNCTIONS	4
PRECAUTIONS FOR MAINTENANCE AND INSPECTION	5
SPECIFICATIONS	6

Thank you for choosing this Mitsubishi Electric inverter.

This Instruction Manual describes handling and cautions about the hardware, such as installation and wiring, for the FR-A806 (IP55/UL Type12 specification product) that are different from the FR-F800.

Information about the software, such as basic operations and parameters, is described in the FR-F800 Instruction Manual (Detailed) in the CD-ROM enclosed with the product. For the details of Ethernet communication, refer to the Ethernet Function Manual in the enclosed CD-ROM. In addition to this manual, please read the manuals in the enclosed CD-ROM carefully. Do not use this product until you have a full knowledge of the equipment, safety information and instructions.

Please forward this Instruction Manual to the end user.

Safety Instructions

Do not attempt to install, operate, maintain or inspect the product until you have read through this Instruction Manual (Detailed) and appended documents carefully and can use the equipment correctly. Do not use this product until you have a full knowledge of the equipment, safety information and instructions.

Installation, operation, maintenance and inspection must be performed by qualified personnel. Here, an expert means a person who meets all the conditions below.

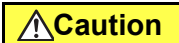
- A person who took a proper engineering training. Such training may be available at your local Mitsubishi Electric office. Contact your local sales office for schedules and locations.
- A person who can access operating manuals for the protective devices (e.g. light curtain) connected to the safety control system. A person who has read and familiarized himself/herself with the manuals.

In this Instruction Manual (Detailed), the safety instruction levels are classified into "Warning" and "Caution"



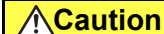
Warning

Incorrect handling may cause hazardous conditions, resulting in death or severe injury.



Caution

Incorrect handling may cause hazardous conditions, resulting in medium or slight injury, or may cause only material damage.



The **Caution** level may even lead to a serious consequence according to conditions. Both instruction levels must be followed because these are important to personal safety.

◆ Electric Shock Prevention

⚠ Warning

- While the inverter power is ON, do not remove the front cover or the wiring cover. Do not run the inverter with the front cover or the wiring cover removed. Otherwise you may access the exposed high voltage terminals or the charging part of the circuitry and get an electric shock.
- Even if power is OFF, do not remove the front cover except for wiring or periodic inspection. You may accidentally touch the charged inverter circuits and get an electric shock.
- Before wiring or inspection, LED indication of the operation panel must be switched OFF. Any person who is involved in wiring or inspection shall wait for at least 10 minutes after the power supply has been switched OFF and check that there are no residual voltage using a tester or the like. The capacitor is charged with high voltage for some time after power OFF, and it is dangerous.
- This inverter must be earthed (grounded). Earthing (grounding) must conform to the requirements of national and local safety regulations and electrical code (NEC section 250, IEC 61140 class 1 and other applicable standards). A neutral-point earthed (grounded) power supply in compliance with EN standard must be used.
- Any person who is involved in wiring or inspection of this equipment shall be fully competent to do the work.
- The inverter must be installed before wiring. Otherwise you may get an electric shock or be injured.
- Do not subject the cables to scratches, excessive stress, heavy loads or pinching. Otherwise you may get an electric shock.
- Do not change the cooling fan while power is ON. It is dangerous to change the cooling fan while power is ON.
- Do not touch the printed circuit board or handle the cables with wet hands. Otherwise you may get an electric shock.
- When measuring the main circuit capacitor capacity, the DC voltage is applied to the motor for 1s at powering OFF. Never touch the motor terminal, etc. right after powering OFF to prevent an electric shock.
- A PM motor is a synchronous motor with high-performance magnets embedded in the rotor. Motor terminals holds high-voltage while the motor is running even after the inverter power is turned OFF. Before wiring or inspection, the motor must be confirmed to be stopped. In an application, such as fan and blower, where the motor is driven by the load, a low-voltage manual motor starter must be connected at the inverter's output side, and wiring and inspection must be performed while the motor starter is open. Otherwise you may get an electric shock.

◆ Fire Prevention

⚠ Caution

- Inverter must be installed on a nonflammable wall without holes (so that nobody touches the inverter heatsink on the rear side, etc.). Mounting it to or near flammable material may cause a fire.
- If the inverter has become faulty, the inverter power must be switched OFF. A continuous flow of large current may cause a fire.
- Resistors cannot be used. Do not connect a resistor directly to the DC terminals P/+ and N/-. Doing so could cause a fire.
- Be sure to perform daily and periodic inspections as specified in the Instruction Manual. If a product is used without any inspection, a burst, breakage, or a fire may occur.

◆ Injury Prevention

⚠ Caution

- The voltage applied to each terminal must be the ones specified in the Instruction Manual. Otherwise burst, damage, etc. may occur.
- The cables must be connected to the correct terminals. Otherwise burst, damage, etc. may occur.
- The polarity (+ and -) must be correct. Otherwise burst, damage, etc. may occur.
- While power is ON or for some time after power-OFF, do not touch the inverter as it will be extremely hot. Touching these devices may cause a burn.

◆ Additional Instructions

The following instructions must be also followed. If the product is handled incorrectly, it may cause unexpected fault, an injury, or an electric shock.

⚠ Caution

Transportation and Mounting

- Any person who is opening a package using a sharp object, such as a knife and cutter, must wear gloves to prevent injuries caused by the edge of the sharp object.
- The product must be transported in correct method that corresponds to the weight. Failure to do so may lead to injuries.
- Do not stand or rest heavy objects on the product.
- Do not stack the boxes containing inverters higher than the number recommended.
- When carrying the inverter, do not hold it by the front cover; it may fall off or fail.
- During installation, caution must be taken not to drop the inverter as doing so may cause injuries.
- The product must be installed on the surface that withstands the weight of the inverter.
- Do not install the product on a hot surface.
- The mounting orientation of the inverter must be correct.
- The inverter must be installed on a strong surface securely with screws so that it will not drop.
- Do not install or operate the inverter if it is damaged or has parts missing.
- Foreign conductive objects must be prevented from entering the inverter. That includes screws and metal fragments or other flammable substance such as oil.
- As the inverter is a precision instrument, do not drop or subject it to impact.
- The ambient temperature must be between -10 and +40°C (non-freezing). Otherwise the inverter may be damaged.
- The ambient humidity must be 95%RH or less (non-condensing). Otherwise the inverter may be damaged. (Refer to [page 18](#) for details.)
- The storage temperature (applicable for a short time, e.g. during transit) must be between -20 and +65°C. Otherwise the inverter may be damaged.
- The inverter must be used indoors (without corrosive gas, flammable gas, oil mist, dust and dirt etc.) Otherwise the inverter may be damaged.
- The inverter must be used at an altitude of 2500 m or less, with vibration at 5.9 m/s^2 *1 or less, 10 to 55 Hz (directions of X, Y, Z axes). Otherwise the inverter may be damaged. (For the installation at an altitude above 1,000 m, derate the rated current 3% per 500 m.)
- If halogen-based materials (fluorine, chlorine, bromine, iodine, etc.) infiltrate into a Mitsubishi product, the product will be damaged. Halogen-based materials are often included in fumigant, which is used to sterilize or disinfect wooden packages. When packaging, prevent residual fumigant components from being infiltrated into Mitsubishi products, or use an alternative sterilization or disinfection method (heat disinfection, etc.) for packaging. Sterilization or disinfection of wooden package should also be performed before packaging the product.

Wiring

- Do not install a power factor correction capacitor or surge suppressor/capacitor type filter on the inverter output side. These devices on the inverter output side may be overheated or burn out.
- The output side terminals (terminals U, V, and W) must be connected correctly. Otherwise the motor will rotate inversely.
- PM motor terminals (U, V, W) hold high-voltage while the PM motor is running even after the power is turned OFF. Before wiring, the PM motor must be confirmed to be stopped. Otherwise you may get an electric shock.
- Never connect a PM motor to the commercial power supply. Applying the commercial power supply to input terminals (U, V, W) of a PM motor will burn the PM motor. The PM motor must be connected with the output terminals (U, V, W) of the inverter.

Trial run

- Before starting operation, each parameter must be confirmed and adjusted. A failure to do so may cause some machines to make unexpected motions.

⚠ Warning

Usage

- Everyone must stay away from the equipment when the retry function is set as it will restart suddenly after a trip.
- Since pressing the STOP/RESET key may not stop output depending on the function setting status, separate circuit and switch that make an emergency stop (power OFF, mechanical brake operation for emergency stop, etc.) must be provided.
- OFF status of the start signal must be confirmed before resetting the inverter fault. Resetting inverter fault with the start signal ON restarts the motor suddenly.
- Do not use a PM motor for an application where the PM motor is driven by its load and runs at a speed higher than the maximum motor speed.
- Use this inverter only with three-phase induction motors or with a PM motor. Connection of any other electrical equipment to the inverter output may damage the equipment.
- Do not modify the equipment.
- Do not perform parts removal which is not instructed in this manual. Doing so may lead to fault or damage of the product.

*1 2.9 m/s^2 or less for the FR-F846-01800(75K) or higher.

⚠ Caution

Usage

- The electronic thermal relay function does not guarantee protection of the motor from overheating. It is recommended to install both an external thermal and PTC thermistor for overheat protection.
- Do not use a magnetic contactor on the inverter input for frequent starting/stopping of the inverter. Otherwise the life of the inverter decreases.
- The effect of electromagnetic interference must be reduced by using a noise filter or by other means. Otherwise nearby electronic equipment may be affected.
- Appropriate measures must be taken to suppress harmonics. Otherwise power supply harmonics from the inverter may heat/damage the power factor correction capacitor and generator.
- When driving a 400V class motor by the inverter, the motor must be an insulation-enhanced motor or measures must be taken to suppress surge voltage. Surge voltage attributable to the wiring constants may occur at the motor terminals, deteriorating the insulation of the motor.
- When parameter clear or all parameter clear is performed, the required parameters must be set again before starting operations because all parameters return to their initial values.
- The inverter can be easily set for high-speed operation. Before changing its setting, the performances of the motor and machine must be fully examined.
- Stop status cannot be held by the inverter's brake function. In addition to the inverter's brake function, a holding device must be installed to ensure safety.
- Before running an inverter which had been stored for a long period, inspection and test operation must be performed.
- Static electricity in your body must be discharged before you touch the product.
- Only one PM motor can be connected to an inverter.
- A PM motor must be used under PM motor control. Do not use a synchronous motor, induction motor, or synchronous induction motor.
- Do not connect a PM motor in the induction motor control settings (initial settings). Do not use an induction motor in the PM motor control settings. It will cause a failure.
- In the system with a PM motor, the inverter power must be turned ON before closing the contacts of the contactor at the output side.
- In order to protect the inverter and the system against unauthorized access by external systems via network, take security measures including firewall settings.
- Depending on the network environment, the inverter may not operate as intended due to delays or disconnection in communication. Carefully consider the conditions and safety for the inverter on site.

Emergency stop

- A safety backup such as an emergency brake must be provided for devices or equipment in a system to prevent hazardous conditions in case of failure of the inverter or an external device controlling the inverter.
- When the breaker on the inverter input side trips, the wiring must be checked for fault (short circuit), and internal parts of the inverter for a damage, etc. The cause of the trip must be identified and removed before turning ON the power of the breaker.
- When a protective function activates, take an appropriate corrective action, then reset the inverter, and resume the operation.

Maintenance, inspection and parts replacement

- Do not carry out a megger (insulation resistance) test on the control circuit of the inverter. It will cause a failure.

Disposal

- The inverter must be treated as industrial waste.

General instruction

- Many of the diagrams and drawings in the Instruction Manual show the product without a cover or partially open for explanation. Never operate the product in this manner. The cover must be always reinstalled and the instruction in the Instruction Manual must be followed when operating the product. For more details on the PM motor, refer to the Instruction Manual of the PM motor.

⚠ Caution

Waterproof and dustproof performances

- The inverter is rated with an IPX5*1 waterproof rating and an IP5X*2 dustproof rating when the operation panel (FR-DU08-01), the front cover, the wiring cover, and the cable glands are securely fixed with screws.
- The items enclosed with the inverter such as the Instruction Manual or CD are not rated with the IPX5 waterproof or IP5X dustproof ratings.
- Although the inverter is rated with the IPX5 waterproof and IP5X dustproof ratings, it is not intended for use in water. Also, the ratings do not guarantee protection of the inverter from needless submersion in water or being washed under strong running water such as a shower.
- Do not pour or apply the following liquids over the inverter: water containing soap, detergent, or bath additives; sea water; swimming pool water; warm water; boiling water; etc.
- The inverter is intended for indoor*4 installation and not for outdoor installation. Avoid places where the inverter is subjected to direct sunlight, rain, sleet, snow, or freezing temperatures.
- If the operation panel (FR-DU08-01) is not installed, if the screws of the operation panel are not tightened, or if the operation panel is damaged or deformed, the IPX5 waterproof performance and the IP5X dustproof performance are impaired. If any abnormalities are found on the operation panel, ask for an inspection and repair.
- If the screws of the front cover or the wiring cover are not tightened, if any foreign matter (hair, sand grain, fiber, etc.) is stuck between the inverter and the gasket, if the gasket is damaged, or if the front cover or the wiring cover is damaged or deformed, the IPX5 waterproof performance and the IP5X dustproof performance are impaired. If any abnormalities are found on the front cover, wiring cover, or the gasket of the inverter, ask for an inspection and repair.
- Cable glands are important components to maintain the waterproof and dustproof performances. Be sure to use cable glands of the recommended size and shape or equivalent. The standard protective bushes cannot sufficiently maintain the IPX5 waterproof performance and the IP5X dustproof performance.
- If a cable gland is damaged or deformed, the IPX5 waterproof performance and the IP5X dustproof performance are impaired. If any abnormalities are found on the cable glands, ask the manufacturer of the cable glands for an inspection and repair.
- To maintain the waterproof and dustproof performances of the inverter, daily and periodic inspections are recommended regardless of the presence or absence of abnormalities.

- *1 IPX5 refers to protection of the inverter functions against water jets from any direction when about 12.5-liter water*3 is injected from a nozzle with an inside diameter of 6.3 mm from the distance of about 3 m for at least 3 minutes.
- *2 IP5X refers to protection of the inverter functions and maintenance of safety when the inverter is put into a stirring device containing dust of 75 μm or smaller in diameter, stirred for 8 hours, and then removed from the device.
- *3 Water here refers to fresh water at room temperature (5 to 35°C).
- *4 Indoor here refers to the environments that are not affected by climate conditions.

1	INTRODUCTION	7
1.1	Product checking and accessories	8
1.2	Component names	9
1.3	About the related manuals	10
2	INSTALLATION AND WIRING	11
2.1	Peripheral devices	12
2.1.1	Inverter and peripheral devices	12
2.1.2	Peripheral devices	14
2.2	Removal and reinstallation of the front cover	15
2.3	Installation of the inverter	18
2.3.1	Inverter installation environment	18
2.3.2	Inverter installation	20
2.4	Terminal connection diagrams	21
2.5	Main circuit terminals	25
2.5.1	Details on the main circuit terminals	25
2.5.2	Terminal layout of the main circuit terminals, wiring of power supply and the motor	25
2.5.3	Wiring method	26
2.5.4	Applicable cables and the wiring length	29
2.5.5	Earthing (grounding) precautions	31
2.6	Control circuit	32
2.6.1	Details on the control circuit terminals	32
2.6.2	Control logic (sink/source) change	36
2.6.3	Wiring of control circuit	38
2.6.4	Wiring precautions	40
2.6.5	When supplying 24 V external power to the control circuit	41
2.6.6	Safety stop function	42
2.7	Operation panel (FR-DU08-01)	44
2.7.1	Differences with the FR-DU08	44
2.7.2	Components of the operation panel (FR-DU08-01)	45
2.7.3	Basic operation of the operation panel	46
2.8	Communication connectors and terminals	47
2.8.1	PU connector	47
2.8.2	Ethernet connector	48
2.8.3	USB connector	49
2.9	Connection of stand-alone option units	51
2.9.1	Connection of the brake unit (FR-BU2)	51
2.9.2	Connection of the brake unit (FR-BU)	53
2.9.3	Connection of the brake unit (BU type)	54
2.9.4	Connection of the high power factor converter (FR-HC2)	55
2.9.5	Connection of the power regeneration common converter (FR-CV)	56
2.9.6	Connection of the power regeneration converter (MT-RC)	57

3 PRECAUTIONS FOR USE OF THE INVERTER 59

3.1	Electro-magnetic interference (EMI) and leakage currents	60
3.1.1	Leakage currents and countermeasures	60
3.1.2	Countermeasures against inverter-generated EMI	62
3.1.3	Built-in EMC filter	64
3.2	Power supply harmonics	66
3.2.1	Power supply harmonics	66
3.2.2	Harmonic suppression guidelines in Japan	67
3.3	Installation of a reactor	69
3.4	Power-OFF and magnetic contactor (MC)	70
3.5	Countermeasures against deterioration of the 400 V class motor insulation	71
3.6	Checklist before starting operation	72
3.7	Failsafe system which uses the inverter	74

4 PROTECTIVE FUNCTIONS 77

4.1	Inverter fault and alarm indications	78
4.2	Reset method for the protective functions	78
4.3	Faults history and the list of fault displays	79
4.4	Causes and corrective actions	80

5 PRECAUTIONS FOR MAINTENANCE AND INSPECTION 81

5.1	Inspection item	82
5.1.1	Daily inspection	82
5.1.2	Periodic inspection	82
5.1.3	Daily and periodic inspection	83
5.1.4	Checking the inverter and converter modules	85
5.1.5	Cleaning	85
5.1.6	Replacement of parts	86
5.1.7	Precautions for removal and reinstallation of the control circuit terminal block	105
5.2	Measurement of main circuit voltages, currents, and powers	106
5.2.1	Measurement of powers	108
5.2.2	Measurement of voltages and use of PT	108
5.2.3	Measurement of currents	109
5.2.4	Use of CT and transducer	109

5.2.5	Measurement of inverter input power factor.....	109
5.2.6	Measurement of converter output voltage (across terminals P and N).....	109
5.2.7	Measurement of inverter output frequency.....	110
5.2.8	Insulation resistance test using megger.....	110
5.2.9	Pressure test.....	110

6 SPECIFICATIONS 111

6.1	Inverter rating.....	112
6.2	Common specifications.....	113
6.3	Inverter outline dimension drawings.....	115

APPENDIX 119

Appendix 1	Differences and compatibility with the FR-F840.....	120
Appendix 2	Instructions for compliance with the EU Directives.....	121
Appendix 3	Instructions for UL and cUL.....	124
Appendix 4	Instructions for EAC.....	126
Appendix 5	Restricted Use of Hazardous Substances in Electronic and Electrical Products.....	127

1 INTRODUCTION

This contents described in this chapter must be read before using this product.

Always read the instructions before using the equipment.

1.1	Product checking and accessories	8
1.2	Component names	9
1.3	About the related manuals	10

<Abbreviations>

Operation panel: Operation panel (FR-DU08-01) and LCD operation panel (FR-LU08-01)

Parameter unit: Parameter unit (FR-PU07)

DU: Operation panel (FR-DU08-01)

PU: Operation panel (FR-DU08-01) and parameter unit (FR-PU07)

Inverter: Mitsubishi Electric inverter FR-A800-E series (IP55 compatible model)

Ethernet board: Ethernet communication board (FR-A8ETH)

Pr.: Parameter number (Number assigned to function)

PU operation: Operation using the PU (operation panel / parameter unit)

External operation: Operation using the control circuit signals

Combined operation: Combined operation using the PU (operation panel / parameter unit) and External operation

Mitsubishi Electric standard motor: SF-JR

Mitsubishi Electric constant-torque motor: SF-HRCA

<Trademarks>

- Ethernet is a registered trademark of Fuji Xerox Co., Ltd.

<Notes on descriptions in this Instruction Manual>

- Connection diagrams in this Instruction Manual suppose that the control logic of the input terminal is the sink logic, unless otherwise specified. (For the control logic, refer to [page 36](#).)

Harmonic Suppression Guidelines

All the models of the inverters used by specific consumers are covered by "the Harmonic Suppression Guidelines for Consumers Who Receive High Voltage or Special High Voltage". (For details, refer to [page 67](#).)

1.1 Product checking and accessories

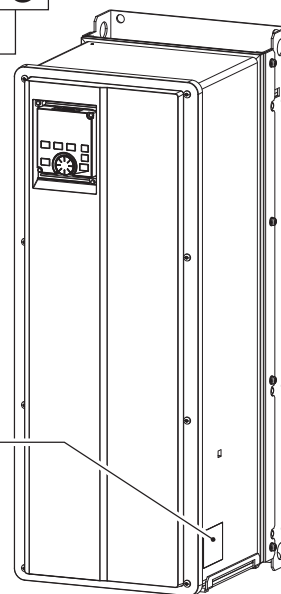
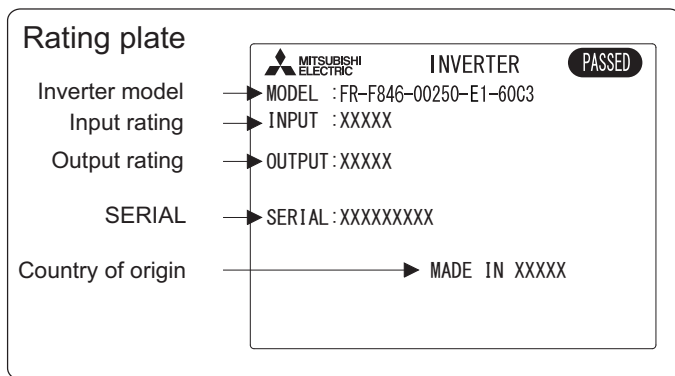
Unpack the product and check the rating plate and the capacity plate of the inverter to ensure that the model agrees with the order and the product is intact.

◆ Inverter model

Symbol	Voltage class	Symbol	Structure, functionality	Symbol	Description	Symbol	Type*1	Communication type
4	400 V class	6	IP55 compatible model	00023 to 03610	Inverter rated current (SLD rated current of the F800 standard model) (A)	E1	FM	Ethernet
				0.75K to 160K	Inverter rated capacity (kW)	E2	CA	

FR - F 8 4 6 - 00250 - E1 - 60 C3

Symbol	Circuit board coating (conforming to IEC60721-3-3 3C2/3S2)	Plated conductor	Symbol	EMC filter
60	With	Without	C2	Built-in C2 filter
06	With	With	C3	Built-in C3 filter



*1 Specification differs by the type. Major differences are shown in the table below.

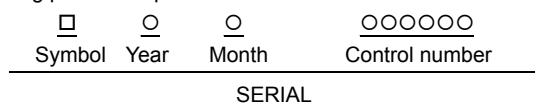
Type	Monitor output	Initial setting			
		Built-in EMC filter	Control logic	Rated frequency	Pr.19 Base frequency voltage
FM (terminal FM equipped model)	Terminal FM (pulse train output) Terminal AM (analog voltage output (0 to ±10 VDC))	Built-in C2 filter: ON, Built-in C3 filter: OFF	Sink logic	60 Hz	9999 (same as the power supply voltage)
CA (terminal CA equipped model)	Terminal CA (analog current output (0 to 20 mADC)) Terminal AM (analog voltage output (0 to ±10 VDC))	ON	Source logic	50 Hz	8888 (95% of the power supply voltage)

NOTE

- In this Instruction Manual, the inverter model name consists of the applicable motor capacity and the rated current value (SLD rated current value of the F800 standard model).
(Example) FR-F846-00250(11K)

◆ How to read the SERIAL number

Rating plate example



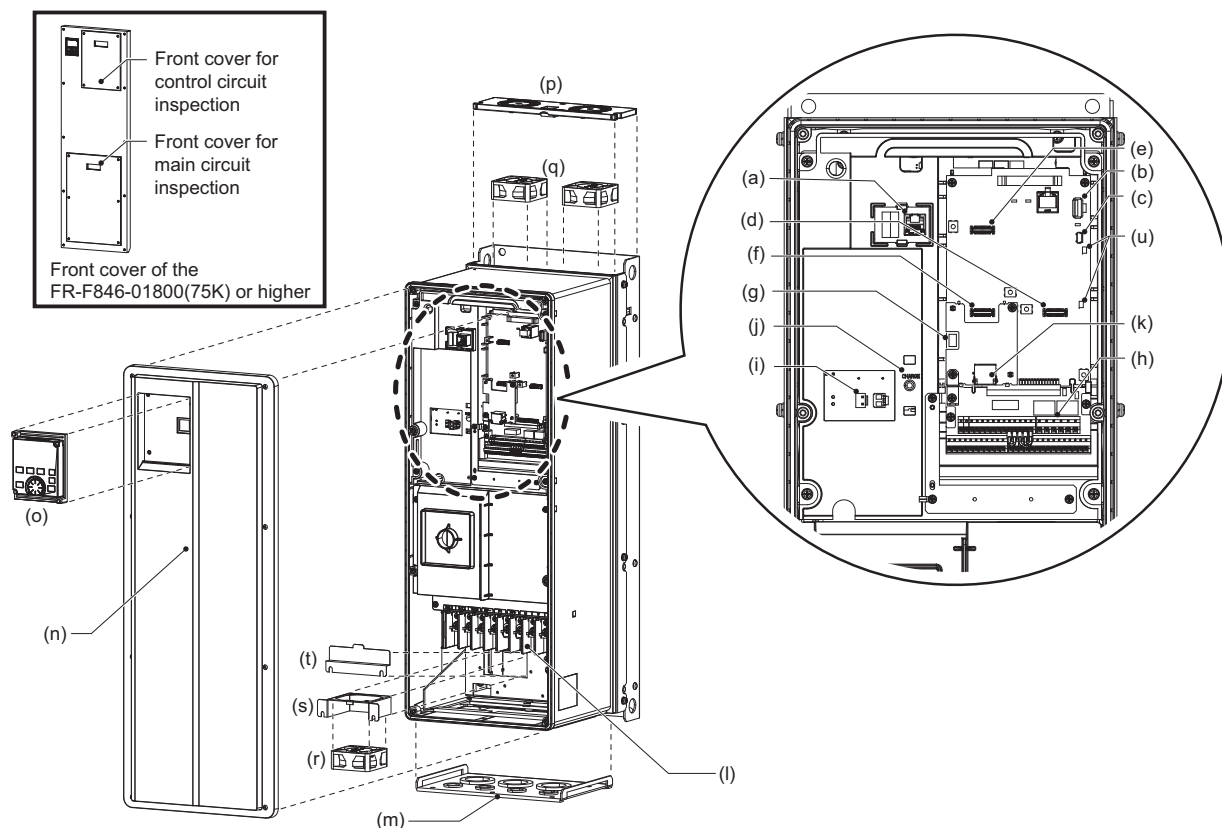
The SERIAL consists of one symbol, two characters indicating the production year and month, and six characters indicating the control number. The last digit of the production year is indicated as the Year, and the Month is indicated by 1 to 9, X (October), Y (November), or Z (December).

◆ Accessory

- Earthing (grounding) cable (1): For connection with a communication option. (Refer to [page 58](#).)
- CD-ROM (1): Including the Instruction Manual (Detailed) and other documents.

1.2 Component names

Component names are shown below. (Example: FR-F846-00250(11K))



Symbol	Name	Description	Refer to page
(a)	PU connector	Connects the operation panel or the parameter unit. This connector also enables the RS-485 communication.	47
(b)	USB A connector	Connects a USB memory device.	49
(c)	USB mini B connector	Connects a personal computer and enables communication with FR Configurator 2.	49
(d)	Plug-in option connector 1	Connects a plug-in option or a communication option.	Instruction Manual of the option
(e)	Plug-in option connector 3		
(f)	Plug-in option connector 2	The connector 2 cannot be used because the Ethernet board is installed in the initial status. The Ethernet board must be removed to install a plug-in option to the connector 2. (However, Ethernet communication is disabled in that case.)	48
(g)	Voltage/current input switch (SW2)	Selects between voltage and current for terminal 2 and 4 inputs.	*1
(h)	Control circuit terminal block	Connects cables for the control circuit.	32
(i)	EMC filter ON/OFF connector	Turns ON/OFF the EMC filter.	64
(j)	Charge lamp	Stays ON while the power is supplied to the main circuit.	25
(k)	Ethernet communication connector	Connect the Ethernet dedicated cable for connection to the network.	48
(l)	Main circuit terminal block	Connects cables for the main circuit.	25
(m)	Wiring cover	Remove the protective bushes to connect cables. (FR-F846-00470(22K) or lower)	15
(n)	Front cover	Remove this cover for the installation of the product, installation of a plug-in (communication) option, switching of the voltage/current input switch, etc. For the FR-F846-01800(75K) or higher, the front cover for the control circuit inspection and the front cover for the main circuit inspection can be individually removed.	15
(o)	Operation panel (FR-DU08-01)	Operates and monitors the inverter.	45
(p)	Fan cover	Remove this cover for replacement of the cooling fan. (FR-F846-00250(11K) or higher)	87
(q)	Cooling fan	Cools the inverter. (FR-F846-00250(11K) or higher)	87
(r)	Internal fan	Cools the inverter.	93
(s)	Bracket	Fixes the internal fan.	93
(t)	Protective cover	Protects the fan to avoid contacting the wiring. (FR-F846-00250(11K) to 00470(22K))	94
(u)	Switches for manufacturer setting (SW3 and SW4)	Do not change the initial setting (OFF ON).	—

*1 Refer to the FR-F800 Instruction Manual (Detailed)

1.3 About the related manuals

The manuals related to FR-F806-E are shown below.

Manual name	Manual number
FR-F800 Instruction Manual (Detailed)	IB-0600547ENG
Ethernet Function Manual	IB-0600628ENG
FR Configurator 2 Instruction Manual	IB-0600516ENG
PLC function programming manual	IB-0600492ENG
Safety stop function instruction manual	BCN-A23228-001

2 **INSTALLATION AND WIRING**

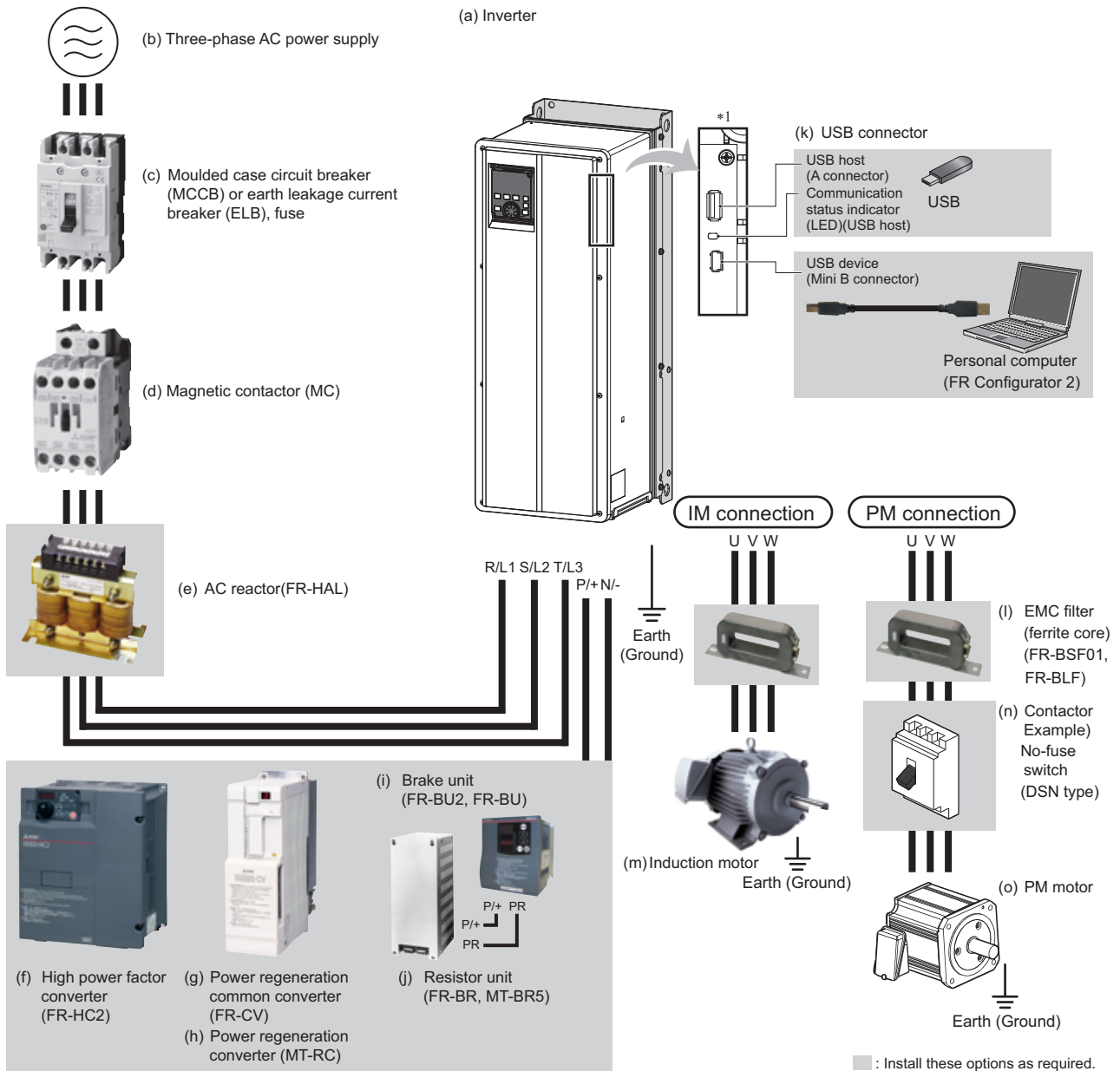
This chapter explains the "INSTALLATION" and the "WIRING" of this product.

Always read the instructions before using the equipment.

2.1	Peripheral devices	12
2.2	Removal and reinstallation of the front cover.....	15
2.3	Installation of the inverter	18
2.4	Terminal connection diagrams	21
2.5	Main circuit terminals	25
2.6	Control circuit	32
2.7	Operation panel (FR-DU08-01).....	44
2.8	Communication connectors and terminals	47
2.9	Connection of stand-alone option units	51
2.10	Installing a communication option.....	58

2.1 Peripheral devices

2.1.1 Inverter and peripheral devices



*1 The figure shows the area when the front cover is removed.

NOTE

- To prevent an electric shock, always earth (ground) the motor and inverter.
- Do not install a power factor correction capacitor or surge suppressor or capacitor type filter on the inverter's output side. Doing so will cause the inverter to trip or the capacitor and surge suppressor to be damaged. If any of the above devices is connected, immediately remove it. When installing a molded case circuit breaker on the output side of the inverter, contact the manufacturer of the molded case circuit breaker.
- Electromagnetic wave interference
The input/output (main circuit) of the inverter includes high frequency components, which may interfere with the communication devices (such as AM radios) used near the inverter. In this case, activating the EMC filter may minimize interference. (Refer to [page 64](#).)
- For details of options and peripheral devices, refer to the respective Instruction Manual.
- A PM motor cannot be driven by the commercial power supply.
- A PM motor is a motor with permanent magnets embedded inside. High voltage is generated at the motor terminals while the motor is running. Before closing the contactor at the output side, make sure that the inverter power is ON and the motor is stopped.

Symbol	Name	Overview	Refer to page
(a)	Inverter (FR-F806)	The life of the inverter is influenced by the ambient temperature. The ambient temperature should be as low as possible within the permissible range. Incorrect wiring may lead to damage of the inverter. The control signal lines must be kept fully away from the main circuit lines to protect them from noise. The built-in EMC filter can reduce the noise. In this inverter, a DC reactor and common mode choke are built in to suppress harmonics and to improve the power factor.	18 21 64
(b)	Three-phase AC power supply	Must be within the permissible power supply specifications of the inverter.	112
(c)	Molded case circuit breaker (MCCB), earth leakage circuit breaker (ELB), or fuse	Must be selected carefully since an inrush current flows in the inverter at power ON.	14
(d)	Magnetic contactor (MC)	Install this to ensure safety. Do not use this to start and stop the inverter. Doing so will shorten the life of the inverter.	70
(e)	AC reactor (FR-HAL)	Install this to suppress harmonics and to improve the power factor. An AC reactor (FR-HAL) (option) is required when installing the inverter near a large power supply system (1000 kVA or more). Under such condition, the inverter may be damaged if you do not use a reactor. Select a reactor according to the applied motor capacity.	69
(f)	High power factor converter (FR-HC2)	Suppresses the power supply harmonics significantly. Install this as required.	55
(g)	Power regeneration common converter (FR-CV*1)	Provides a large braking capability. Install this as required.	56
(h)	Power regeneration converter (MT-RC*2)		57
(i)	Brake unit (FR-BU2, FR-BU*1, BU*1)	Allows the inverter to provide the optimal regenerative braking capability. Install this as required.	51
(j)	Resistor unit (FR-BR*1, MT-BR5*2)		
(k)	USB connection	The inverter can be connected to a personal computer with a USB (Ver. 1.1) cable. Parameter setting and monitoring can be performed by FR Configurator 2. A USB memory device enables parameter copies and the trace function.	49
(l)	Noise filter (FR-BSF01, FR-BLF)	Install this to reduce the electromagnetic noise generated from the inverter. The noise filter is effective in the range from about 0.5 MHz to 5 MHz. A wire should be wound four turns at maximum.	62
(m)	Induction motor	Connect a squirrel-cage induction motor.	—
(n)	Contactors Example) No-fuse switch (DSN type)	Connect this for an application where a PM motor is driven by the load even while the inverter power is OFF. Do not open or close the contactor while the inverter is running (outputting).	—
(o)	PM motor	When PM motor control is selected, a PM motor can be driven.	—

*1 Compatible with the FR-F846-01160(55K) or lower.

*2 Compatible with the FR-F846-01800(75K) or higher.

2.1.2 Peripheral devices

Check the model of the inverter you purchased. Appropriate peripheral devices must be selected according to the capacity. Refer to the table below to prepare appropriate peripheral devices.

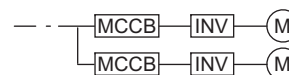
Motor output (kW) *1	Applicable inverter model	Molded case circuit breaker (MCCB) *2 or earth leakage circuit breaker (ELB) (NF, NV type)	Input-side magnetic contactor *3
0.75	FR-F846-00023(0.75K)	5 A	S-T10
1.5	FR-F846-00038(1.5K)	10 A	S-T10
2.2	FR-F846-00052(2.2K)	10 A	S-T10
3.7	FR-F846-00083(3.7K)	15 A	S-T10
5.5	FR-F846-00126(5.5K)	20 A	S-T12
7.5	FR-F846-00170(7.5K)	30 A	S-T21
11	FR-F846-00250(11K)	40 A	S-T21
15	FR-F846-00310(15K)	50 A	S-T21
18.5	FR-F846-00380(18.5K)	60 A	S-T35
22	FR-F846-00470(22K)	75 A	S-T35
30	FR-F846-00620(30K)	100 A	S-T50
37	FR-F846-00770(37K)	100 A	S-T50
45	FR-F846-00930(45K)	125 A	S-T65
55	FR-F846-01160(55K)	150 A	S-T100
75	FR-F846-01800(75K)	200 A	S-T100
90	FR-F846-02160(90K)	225 A	S-N150
110	FR-F846-02600(110K)	225 A	S-N180
132	FR-F846-03250(132K)	350 A	S-N220
160	FR-F846-03610(160K)	400 A	S-N300

*1 Assumes the use of a Mitsubishi Electric 4-pole standard motor with the power supply voltage of 400 VAC 50 Hz.

*2 Select an MCCB according to the power supply capacity.

Install one MCCB per inverter.

For the use in the United States or Canada, refer to [page 124](#), and select an appropriate fuse or molded case circuit breaker (MCCB).



*3 Magnetic contactor is selected based on the AC-1 class. The electrical durability of magnetic contactor is 500,000 times. When the magnetic contactor is used for emergency stops during motor driving, the electrical durability is 25 times.

If using an MC for emergency stop during motor driving, select an MC regarding the inverter input side current as JEM1038-AC-3 class rated current. When providing an MC on the inverter output side for switching to commercial power supply during general-purpose motor operation, select an MC regarding the rated motor current as JEM1038-AC-3 class rated current.

NOTE

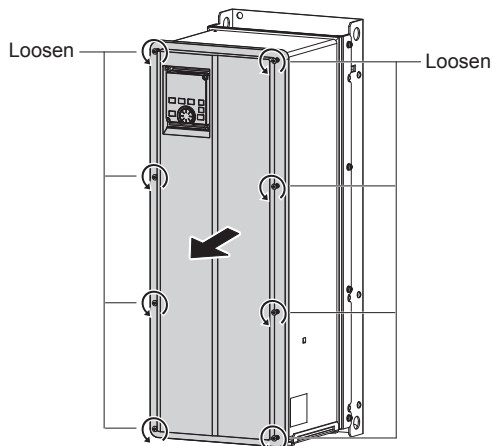
- When the inverter capacity is larger than the motor capacity, select an MCCB and a magnetic contactor according to the inverter model, and select cables and reactors according to the motor output.
- When the breaker on the inverter's input side trips, check for the wiring fault (short circuit), damage to internal parts of the inverter etc. The cause of the trip must be identified and removed before turning ON the power of the breaker.

2.2 Removal and reinstallation of the front cover

◆ Removal of the front cover

- Remove the front cover installation screws to remove the front cover. (For the FR-F846-00620(30K) to 01160(55K), remove the operation panel before removing the front cover.)

Inverter	Screw type	Screw size	Screwdriver size
FR-F846-00470(22K) or lower	Hexalobular screw	M4	T20
FR-F846-00620(30K) or higher		M5	T25

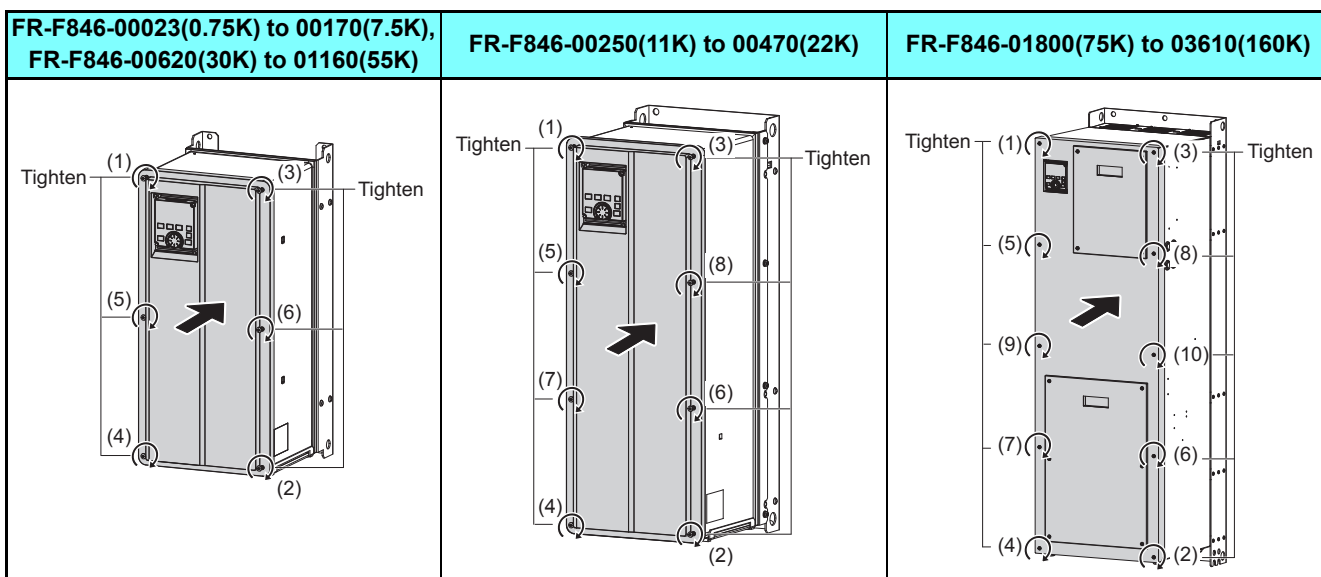


◆ Reinstallation of the front cover

- Fix the front cover with the front cover installation screws. (For the FR-F846-00620(30K) to 01160(55K), install the front cover while the operation panel is removed.)

Inverter	Tightening torque
FR-F846-00470(22K) or lower	1.4 to 1.9 N·m
FR-F846-00620(30K) or higher	2.8 to 3.6 N·m

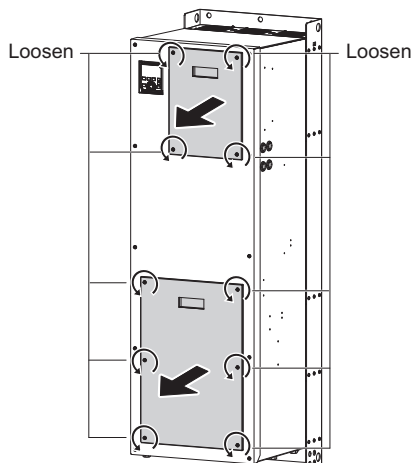
Tighten the front cover installation screws in the numerical order in the figure shown below.



◆ **Removal of the front cover for control circuit inspection and the front cover for main circuit inspection (FR-F846-01800(75K) or higher)**

- Remove the installation screws to remove the front cover for control circuit inspection and/or the front cover for main circuit inspection.

Front cover	Screw type	Screw size	Screwdriver size
For control circuit inspection	Hexalobular screw	M5	T25
For main circuit inspection			

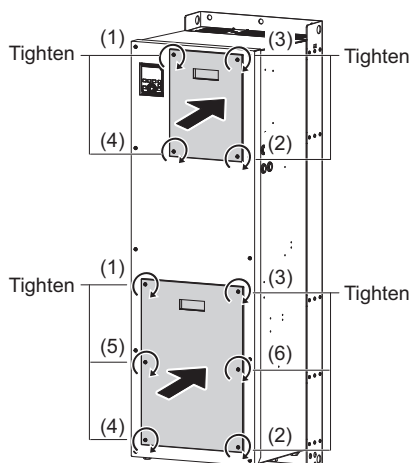


◆ **Installation of the front cover for control circuit inspection and the front cover for main circuit inspection (FR-F846-01800(75K) or higher)**

- Fix the covers with the installation screws.

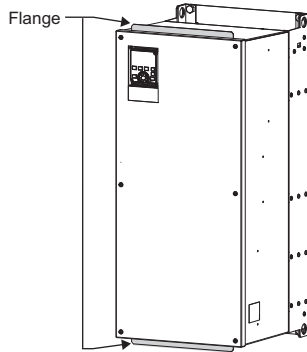
Front cover	Tightening torque
For control circuit inspection	2.8 to 3.6 N·m
For main circuit inspection	

To install the front cover for control circuit inspection and/or the front cover for main circuit inspection, tighten the installation screws in the numerical order in the figure shown below.



NOTE

- When installing the front cover for the FR-F846-00470(22K) or lower, fit the connector of the operation panel securely along the guides of the PU connector. Otherwise, the operation panel connection connector or the PU connector may be damaged.
- For the FR-F846-00620(30K) or more, before removing/installing the front cover, always remove the operation panel. Otherwise, the operation panel connection connector or the PU connector may be damaged.
- When removing/installing the front cover of the FR-F846-00620(30K) to 01160(55K), always hold the front cover at the flange sections. Otherwise, the front cover may fall off, resulting in damage or injuries.



- Before installing the front cover, check the waterproof gasket to make sure that it is not damaged. If it is damaged, contact the nearest Mitsubishi Electric FA center.
- Securely install the front cover to fit the waterproof gasket closely. Do not let the waterproof gasket get stuck between the front cover edge and the inverter. Otherwise, water may get into the inverter. Also, do not let any foreign matter get stuck between the waterproof gasket and the front cover.
- Keep the waterproof gasket of the inverter clean. Otherwise, water may get into the inverter. If there is any dirt on the gasket, make sure to remove it.
- Fully make sure that the front cover is installed securely. Always tighten the mounting screws of the front cover.

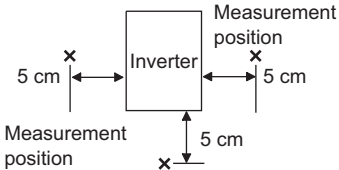
2.3 Installation of the inverter

An inverter unit uses many semiconductor devices. To ensure higher reliability and long period of operation, operate the inverter in the ambient environment that completely satisfies the equipment specifications.

2.3.1 Inverter installation environment

The following table lists the standard specifications of the inverter installation environment. Using the inverter in an environment that does not satisfy the conditions deteriorates the performance, shortens the life, and causes a failure. Refer to the following points, and take adequate measures.

◆ Standard environmental specifications of the inverter

Item	Description
Ambient temperature	-10 to +40°C (non-freezing) 
Ambient humidity	95% RH or less (non-condensing)
Storage temperature	-20 to +65°C*1
Atmosphere	Indoors (free from corrosive gas, flammable gas, oil mist, dust and dirt)
Altitude	Maximum 2,500 m*2
Vibration	5.9 m/s ² *3 or less at 10 to 55 Hz (directions of X, Y, Z axes)

*1 Temperature applicable for a short time, e.g. in transit.

*2 For the installation at an altitude above 1,000 m, derate the rated current 3% per 500 m.

*3 2.9 m/s² or less for the FR-F846-01160(55K) or higher.

◆ Temperature

The permissible ambient temperature of the inverter is between -10°C and +40°C. Always operate the inverter within this temperature range. Operation outside this range will considerably shorten the service lives of the semiconductors, parts, capacitors and others. Take the following measures to keep the ambient temperature of the inverter within the specified range.

(a) Measures against high temperature

- Ventilate the room.
- Install the inverter in an air-conditioned electric chamber.
- Block direct sunlight.
- Provide a shield or similar plate to avoid direct exposure to the radiated heat and wind of a heat source.
- Ventilate the area around the inverter well.

(b) Measures against low temperature

- Provide a heater around the inverter.
- Do not power OFF the inverter. (Keep the start signal of the inverter OFF.)

(c) Sudden temperature changes

- Select an installation place where temperature does not change suddenly.
- Avoid installing the inverter near the air outlet of an air conditioner.
- If temperature changes are caused by opening/closing of a door, install the inverter away from the door.

◆ Humidity

Operate the inverter within the ambient air humidity of usually 45 to 90%. Too high humidity will pose problems of reduced insulation and metal corrosion. On the other hand, too low humidity may cause a spatial electrical breakdown.

The insulation distance defined in JEM1103 "Control Equipment Insulator" is humidity of 45 to 85%.

(a) Measures against high humidity

- Provide dry air into the room from outside.
- Use a dehumidifier.

(b) Measures against low humidity

Air with proper humidity can be blown into the room from outside. Also when installing or inspecting the unit, discharge your body (static electricity) beforehand, and keep your body away from the parts and patterns.

(c) Measures against condensation

Condensation may occur if frequent operation stops change the in-room temperature suddenly or if the outside air temperature changes suddenly.

Condensation causes such faults as reduced insulation and corrosion.

- Take the measures against high humidity in (a).
- Do not power OFF the inverter. (Keep the start signal of the inverter OFF.)

◆ Dust, dirt, oil mist

Dust and dirt will cause faults such as poor contacts, reduction in insulation and cooling effect due to accumulation of moisture-absorbed dust and dirt, and equipment internal temperature rise due to a clogged ventilation filter in the room where the equipment is installed. In an atmosphere where conductive powder floats, dust and dirt will cause such faults as malfunction, deteriorated insulation and short circuit in a short time.

Since oil mist will cause similar conditions, it is necessary to take adequate measures.

Countermeasure

- Purge air.
Pump clean air from outside to make the in-enclosure air pressure higher than the outside air pressure.

◆ Corrosive gas, salt damage

If the inverter is exposed to corrosive gas or to salt near a beach, the printed board patterns and parts will corrode or the relays and switches will result in poor contact.

In such a place, take the countermeasures described in "Dust, dirt, oil mist" above.

◆ Explosive, flammable gases

As the inverter is non-explosion proof, it must be contained in an explosion-proof enclosure. In places where explosion may be caused by explosive gas, dust or dirt, an enclosure cannot be used unless it structurally complies with the guidelines and has passed the specified tests. This makes the enclosure itself expensive (including the test charges). The best way is to avoid installation in such places and install the inverter in a non-hazardous place.

◆ High altitude

Use the inverter at an altitude of within 2500 m. For the installation at an altitude above 1,000 m, derate the rated current 3% per 500 m.

If it is used at a higher place, it is likely that thin air will reduce the cooling effect and low air pressure will deteriorate dielectric strength.

◆ Vibration, impact

The vibration resistance of the inverter is up to 5.9 m/s^2 (2.9 m/s^2 or less for the FR-F846-01800(75K) or higher) at 10 to 55 Hz frequency and 1 mm amplitude for the directions of X, Y, Z axes. Applying vibration and impacts for a long time may loosen the structures and cause poor contacts of connectors, even if those vibration and impacts are within the specified values.

Especially when impacts are applied repeatedly, caution must be taken because such impacts may break the installation feet.

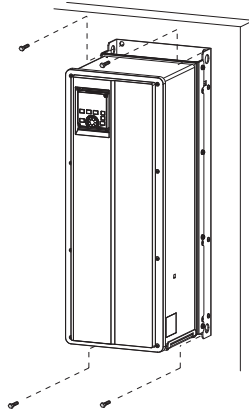
Countermeasure

- Strengthen the structure to prevent the installation surface from resonance.
- Install the inverter away from the sources of the vibration.

2.3.2 Inverter installation

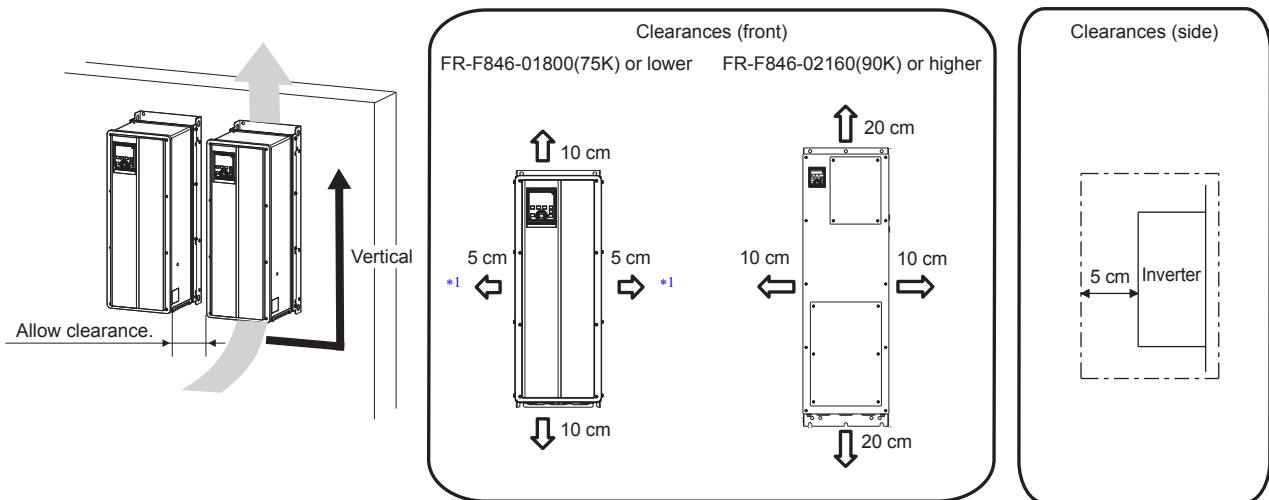
◆ Inverter placement

- Install the inverter on a strong flat surface securely with screws.



Fix six positions for the FR-F846-01800(75K) or higher.

- Leave enough clearances and take cooling measures.
- Avoid places where the inverter is subjected to direct sunlight, high temperature and high humidity.
- Install the inverter on a nonflammable wall surface.
- For heat dissipation and maintenance, keep clearance between the inverter and the other devices. The clearance below the inverter is required as a wiring space, and the clearance above the inverter is required as a heat dissipation space.



*1 For the FR-F846-00126(5.5K) or lower, allow 1 cm or more clearance.

◆ Installation orientation of the inverter

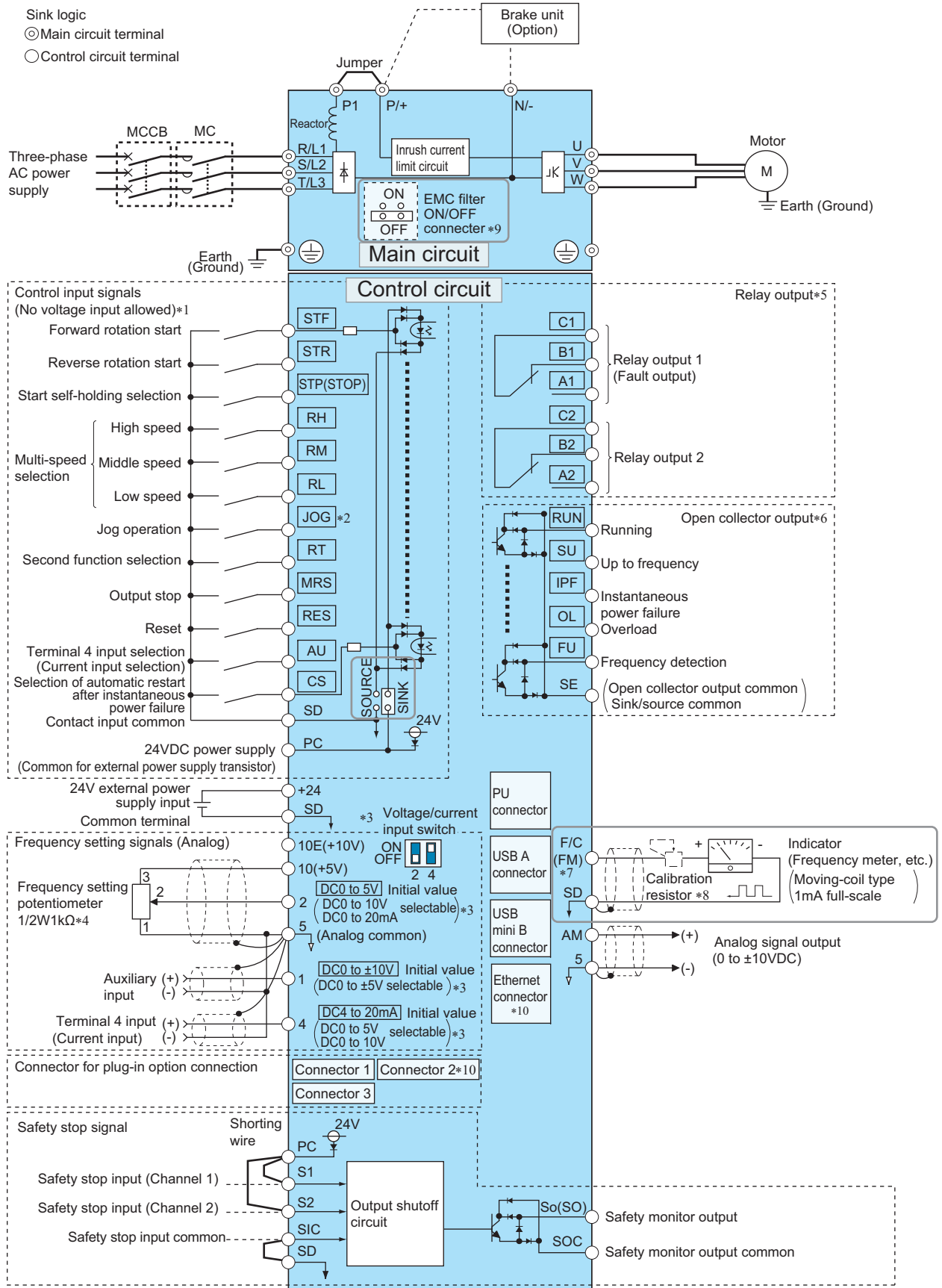
Install the inverter on a wall as specified. Do not mount it horizontally or in any other way.

◆ Above the inverter

Heat is blown up from inside the inverter by the small fan built in the unit. Any equipment placed above the inverter should be heat resistant.

2.4 Terminal connection diagrams

◆ FM type



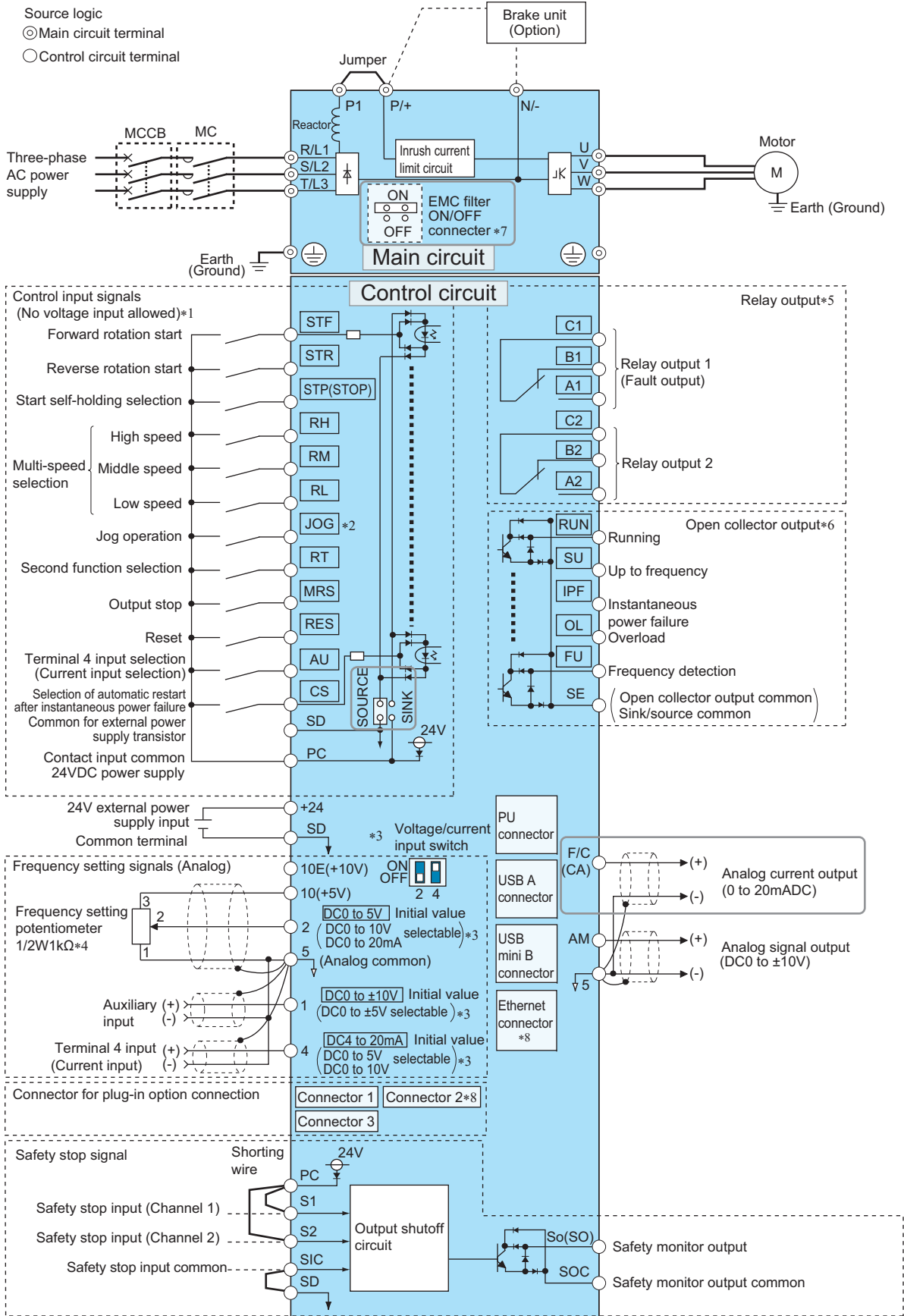
Terminal connection diagrams

- *1 The function of these terminals can be changed with the input terminal assignment (**Pr.178 to Pr.189**). (Refer to the FR-F800 Instruction Manual (Detailed).)
- *2 Terminal JOG is also used as a pulse train input terminal. Use **Pr.291** to choose JOG or pulse.
- *3 Terminal input specifications can be changed by analog input specification switchover (**Pr.73, Pr.267**). To input a voltage, set the voltage/current input switch OFF. To input a current, set the voltage/current input switch ON. Terminals 10 and 2 are also used as a PTC input terminal. (**Pr.561**) (Refer to the FR-F800 Instruction Manual (Detailed).)
- *4 It is recommended to use 2 W 1 k Ω when the frequency setting signal is changed frequently.
- *5 The function of these terminals can be changed with the output terminal assignment (**Pr.195, Pr.196**). (Refer to the FR-F800 Instruction Manual (Detailed).)
- *6 The function of these terminals can be changed with the output terminal assignment (**Pr.190 to Pr.194**). (Refer to the FR-F800 Instruction Manual (Detailed).)
- *7 Terminal FM can be used to output pulse trains as open collector output by setting **Pr.291**.
- *8 Not required when calibrating the scale with the operation panel.
- *9 Do not change the initially set ON (enabled) position of the EMC filter ON/OFF connector in the case of the inverter with a built-in C2 filter. The Class C2 compatibility condition is not satisfied with the EMC filter OFF. The FR-F846-00250(11K)-C2 to FR-F846-00470(22K)-C2 are not provided with the EMC filter ON/OFF connector. The EMC filter is always ON.
- *10 The option connector 2 cannot be used because the Ethernet board is installed in the initial status. The Ethernet board must be removed to install a plug-in option to the option connector 2. (However, Ethernet communication is disabled in that case.)

NOTE

- To prevent a malfunction due to noise, keep the signal cables 10 cm or more away from the power cables. Also, separate the main circuit cables at the input side from the main circuit cables at the output side.
- After wiring, wire offcuts must not be left in the inverter.
Wire offcuts can cause an alarm, failure or malfunction. Always keep the inverter clean.
When drilling mounting holes in a wall or the side of the enclosure etc., take caution not to allow chips and other foreign matters to enter the inverter.
- Set the voltage/current input switch correctly. Incorrect setting may cause a fault, failure or malfunction.

◆ CA type



Terminal connection diagrams


- *1 The function of these terminals can be changed with the input terminal assignment (**Pr.178 to Pr.189**). (Refer to the FR-F800 Instruction Manual (Detailed).)
- *2 Terminal JOG is also used as a pulse train input terminal. Use **Pr.291** to choose JOG or pulse.
- *3 Terminal input specifications can be changed by analog input specification switchover (**Pr.73, Pr.267**). To input a voltage, set the voltage/current input switch OFF. To input a current, set the voltage/current input switch ON. Terminals 10 and 2 are also used as a PTC input terminal. (**Pr.561**) (Refer to the FR-F800 Instruction Manual (Detailed).)
- *4 It is recommended to use 2 W 1 k Ω when the frequency setting signal is changed frequently.
- *5 The function of these terminals can be changed with the output terminal assignment (**Pr.195, Pr.196**). (Refer to the FR-F800 Instruction Manual (Detailed).)
- *6 The function of these terminals can be changed with the output terminal assignment (**Pr.190 to Pr.194**). (Refer to the FR-F800 Instruction Manual (Detailed).)
- *7 Do not change the initially set ON (enabled) position of the EMC filter ON/OFF connector in the case of the inverter with a built-in C2 filter. The Class C2 compatibility condition is not satisfied with the EMC filter OFF. The FR-F846-00250(11K)-C2 to FR-F846-00470(22K)-C2 are not provided with the EMC filter ON/OFF connector. The EMC filter is always ON.
- *8 The option connector 2 cannot be used because the Ethernet board is installed in the initial status. The Ethernet board must be removed to install a plug-in option to the option connector 2. (However, Ethernet communication is disabled in that case.)

NOTE

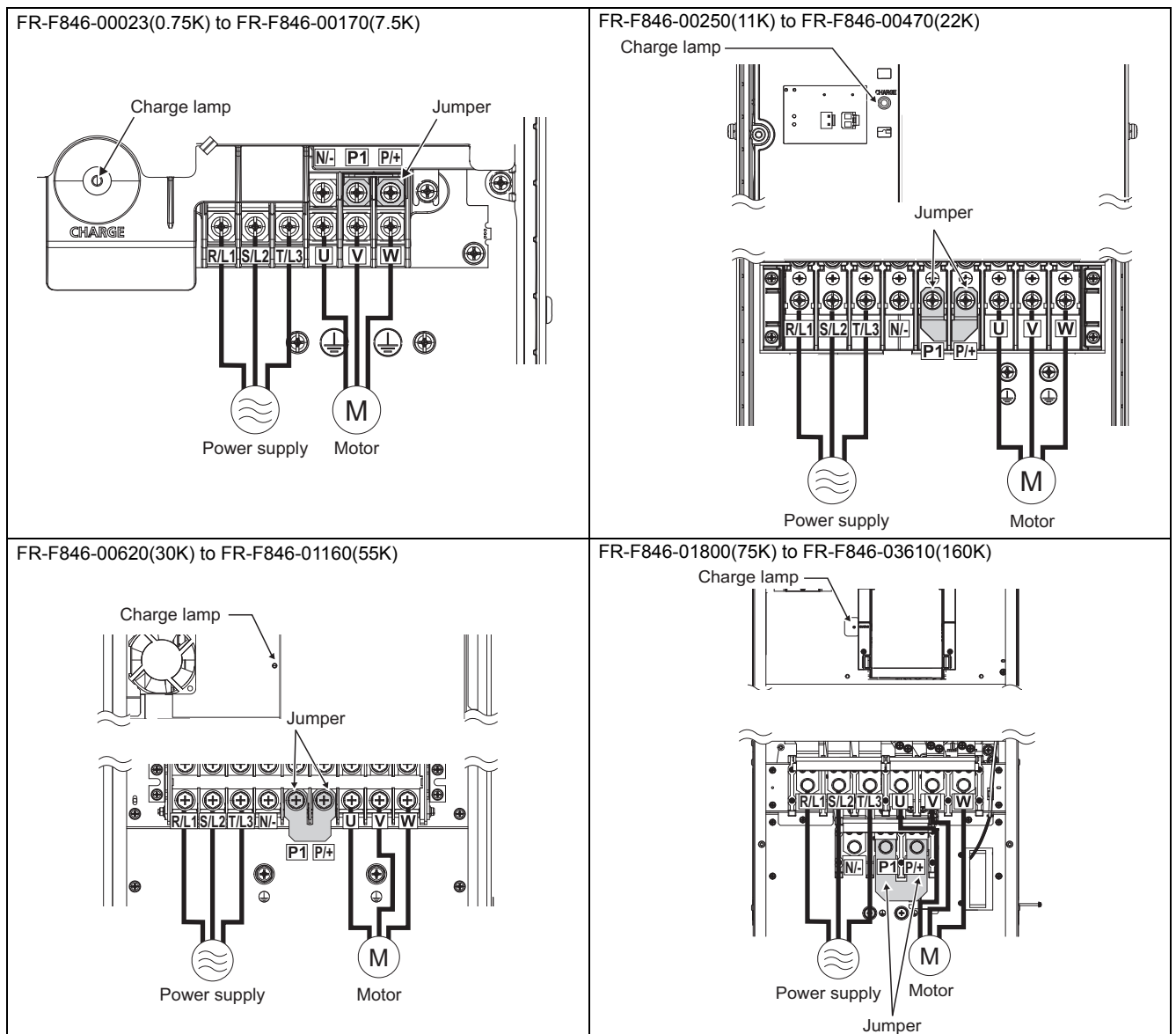
- To prevent a malfunction due to noise, keep the signal cables 10 cm or more away from the power cables. Also, separate the main circuit cables at the input side from the main circuit cables at the output side.
- After wiring, wire offcuts must not be left in the inverter.
Wire offcuts can cause an alarm, failure or malfunction. Always keep the inverter clean.
When drilling mounting holes in a wall or the side of the enclosure etc., take caution not to allow chips and other foreign matters to enter the inverter.
- Set the voltage/current input switch correctly. Incorrect setting may cause a fault, failure or malfunction.

2.5 Main circuit terminals

2.5.1 Details on the main circuit terminals

Terminal symbol	Terminal name	Terminal function description	Refer to page
R/L1, S/L2, T/L3	AC power input	Connect these terminals to the commercial power supply. Do not connect anything to these terminals when using the high power factor converter (FR-HC2) or the power regeneration common converter (FR-CV).	—
U, V, W	Inverter output	Connect these terminals to a three-phase squirrel cage motor or a PM motor.	—
P/+, N/-	Brake unit connection	Connect the brake unit (FR-BU2, FR-BU, BU), power regeneration common converter (FR-CV), power regeneration converter (MT-RC), high power factor converter (FR-HC2), or DC power supply (under DC feeding mode).	51
P/+, P1	—	Do not remove the jumper across terminals P/+ and P1 except for connecting the power regeneration common converter (FR-CV) or the high power factor converter (FR-HC2).	—
	Earth (ground)	For earthing (grounding) the inverter chassis. This must be earthed (grounded).	31

2.5.2 Terminal layout of the main circuit terminals, wiring of power supply and the motor

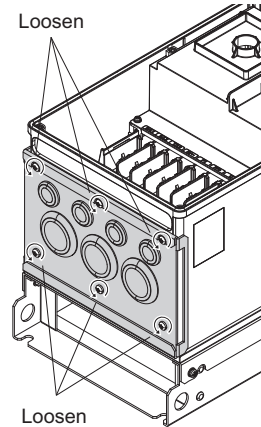


NOTE

- Make sure the power cables are connected to the R/L1, S/L2, and T/L3. (Phase need not be matched.) Never connect the power cable to the U, V, and W of the inverter. Doing so will damage the inverter.
- Connect the motor to U, V, and W. The phase need to be matched.

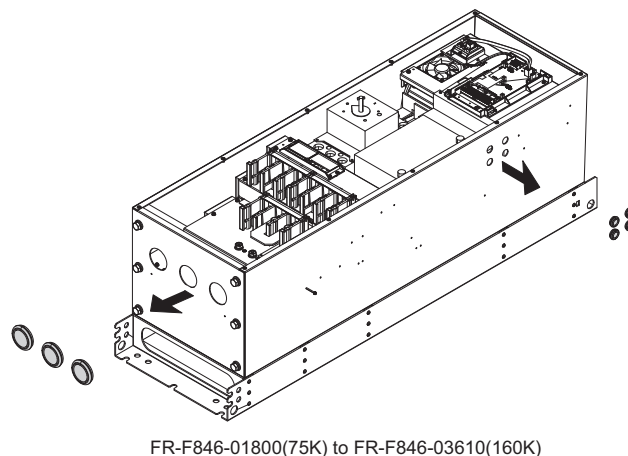
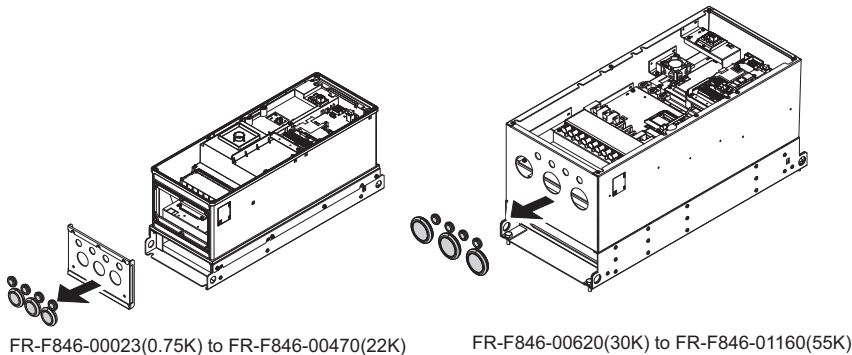
2.5.3 Wiring method

- (1) Remove the front cover of the inverter. (Refer to [page 15](#))
- (2) For the FR-F846-00470(22K) or lower, remove the wiring cover installation screws (hexalobular screws, screw size: M5, screwdriver size: T25, tightening torque: 2.8 to 3.6 N·m) to remove the wiring cover.



Example of the FR-F846-00250(11K)

- (3) For the FR-F846-00470(22K) or lower, remove the protective bushes from the wiring cover.
For the FR-F846-00620(30K) to FR-F846-01160(55K), remove the protective bushes from the bottom of the inverter.
For the FR-F846-01800(75K) or higher, remove the protective bushes from the bottom and the side of the inverter.
(Do not remove the protective bushes from the holes that are not used for wiring of cables.)



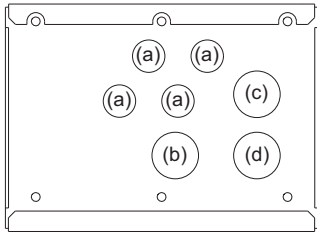
NOTE

- For the FR-F846-01800(75K) or higher, do not remove the screws on the bottom of the inverter. The IPX5 waterproof performance may be impaired.

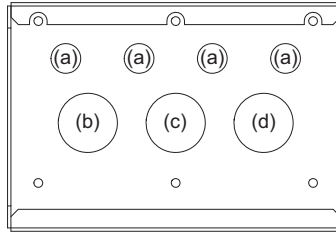
- (4) Fix the cables using a cable gland and a nut, according to the diameter of the holes.

For the details such as hole diameters and recommended cable glands, refer to the following table.

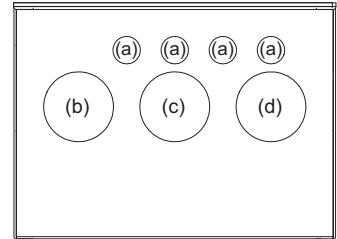
FR-F846-00023(0.75K) to 00170(7.5K)



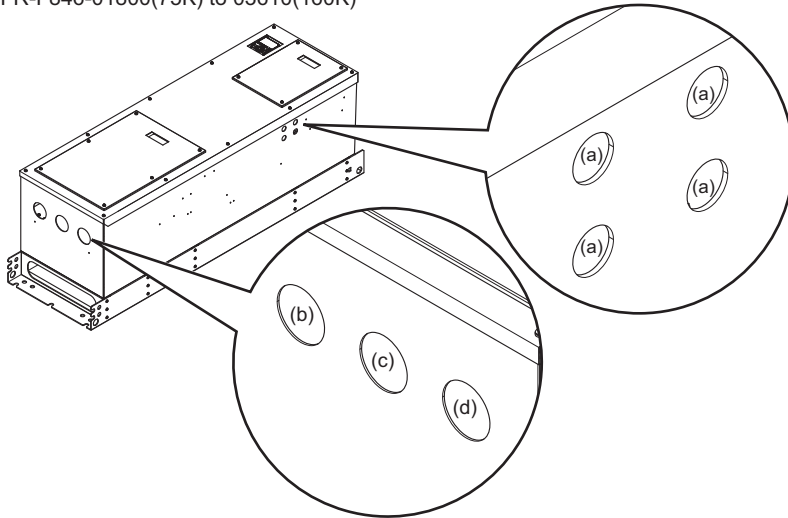
FR-F846-00250(11K) to 00470(22K)



FR-F846-00620(30K) to 01160(55K)



FR-F846-01800(75K) to 03610(160K)



Main circuit terminals

Inverter capacity	Symbol	Recommended layout example	Hole diameter (mm)	Recommended cable gland (Manufactured by LAPP KABEL)	Recommended nut (Manufactured by LAPP KABEL)
FR-F846-00023(0.75K) to 00170(7.5K)	(a)	Control circuit wiring	20.3	SKINTOP MS-SC-M20 53112630 *1 SKINTOP MS-M20 53112020 *2	SKINDICHT SM-M20 52103020
	(b)	AC power input wiring	32.3	SKINTOP MS-SC-M32 53112650 *1 SKINTOP MS-M32 BRUSH 53112677 *1 SKINTOP MS-M32 53112040 *2	SKINDICHT SM-M32 52103040
	(c)	Brake unit connection wiring			
	(d)	Inverter output wiring			
FR-F846-00250(11K) to 00470(22K)	(a)	Control circuit wiring	20.3	SKINTOP MS-SC-M20 53112630 *1 SKINTOP MS-M20 53112020 *2	SKINDICHT SM-M32 52103020
	(b)	AC power input wiring	40.4	SKINTOP MS-SC-M40 53112660 *1 SKINTOP MS-M40 BRUSH 53112678 *1 SKINTOP MS-M40 53112050 *2	SKINDICHT SM-M40 52103050
	(c)	Brake unit connection wiring			
	(d)	Inverter output wiring			
FR-F846-00620(30K) to 02600(110K)	(a)	Control circuit wiring	20.3	SKINTOP MS-SC-M20 53112630 *1 SKINTOP MS-M20 53112020 *2	SKINDICHT SM-M20 52103020
	(b)	AC power input wiring	63	SKINTOP MS-M63 BRUSH 53112680 *1 SKINTOP MS-M63 53112070 *2	SKINDICHT SM-M63 52103070
	(c)	Brake unit connection wiring			
	(d)	Inverter output wiring			
FR-F846-03250(132K), 03610(160K)	(a)	Control circuit wiring	20.3	SKINTOP MS-SC-M20 53112630 *1 SKINTOP MS-M20 53112020 *2	SKINDICHT SM-M20 52103020
	(b)	AC power input wiring	63	SKINTOP MS-M63 BRUSH PLUS 53112681 *1 SKINTOP MS-M63 PLUS 53112080 *2	SKINDICHT SM-M63 52103070
	(c)	Brake unit connection wiring			
	(d)	Inverter output wiring			

*1 EMC-compliant cable gland

*2 General-purpose cable gland

(5) For the FR-F846-00470(22K) or lower, install the wiring cover.

(6) Connect cables to the terminals of the inverter.

(7) Install the front cover to the inverter. (Refer to [page 15](#))

Caution

- Always use a waterproof cable gland (IP55 or higher) for the hole from which the protective bush is removed because water may get into the inverter.

2.5.4 Applicable cables and the wiring length

Select a recommended cable size to ensure that the voltage drop will be 2% or less.

If the wiring distance is long between the inverter and motor, the voltage drop in the main circuit wires will cause the motor torque to decrease especially at a low speed.

The following table indicates a selection example for the wiring length of 20 m.

- 400 V class (440 V input power supply (with 120% rated current for one minute))

Applicable inverter model FR-F846-[]	Terminal screw size*4	Tightening torque N·m	Crimping terminal		Cable gauge									
					HIV cables, etc. (mm ²)*1				AWG/MCM*2		PVC cables, etc. (mm ²)*3			
			R/L1, S/L2, T/L3	U, V, W	R/L1, S/L2, T/L3	U, V, W	P/+	Earthing (grounding) cable	R/L1, S/L2, T/L3	U, V, W	R/L1, S/L2, T/L3	U, V, W	Earthing (grounding) cable	
00023(0.75K) to 00083(3.7K)	M4	1.5	2-4	2-4	2	2	2	2	2	14	14	2.5	2.5	2.5
00126(5.5K)	M4	1.5	2-4	2-4	2	2	3.5	3.5	3.5	14	14	2.5	2.5	2.5
00170(7.5K)	M4	1.5	2-4	2-4	3.5	3.5	3.5	3.5	3.5	12	12	4	4	4
00250(11K)	M6	4.4	5.5-6	5.5-6	5.5	5.5	5.5	5.5	5.5	10	10	6	6	6
00310(15K)	M6	4.4	5.5-6	5.5-6	5.5	5.5	8	5.5	5.5	10	10	6	6	6
00380(18.5K)	M6	4.4	8-6	8-6	8	8	14	8	8	8	8	10	10	10
00470(22K)	M6	4.4	14-6	14-6	14	14	22	14	14	6	6	16	16	16
00620(30K)	M6	4.4	22-6	22-6	22	22	22	14	14	4	4	25	25	16
00770(37K)	M6	4.4	22-6	22-6	22	22	22	14	14	4	4	25	25	16
00930(45K)	M8	7.8	38-8	38-8	38	38	38	22	22	2	2	50	50	25
01160(55K)	M8	7.8	60-8	60-8	60	60	60	22	22	1/0	1/0	50	50	25
01800(75K)	M10	14.7	60-10	60-10	60	60	60	22	22	1/0	1/0	50	50	25
02160(90K)	M10	14.7	60-10	60-10	60	60	80	22	22	1/0	1/0	50	50	25
02600(110K)	M10	14.7	80-10	80-10	80	80	80	38	38	3/0	3/0	70	70	35
03250(132K)	M10	14.7	100-10	100-10	100	100	100	38	38	4/0	4/0	95	95	50
03610(160K)	M10	14.7	150-10	150-10	125	125	150	38	38	250	250	120	120	70

*1 For the FR-F846-01800(75K) or lower, it is the gauge of a cable with the continuous maximum permissible temperature of 75°C (HIV cable (600 V grade heat-resistant PVC insulated wire), etc.). It assumes a surrounding air temperature of 50°C or lower and the wiring distance of 20 m or shorter.

For the FR-F846-02160(90K) or higher, it is the gauge of the cable with the continuous maximum permissible temperature of 90°C or higher. (LMFC (heat resistant flexible cross-linked polyethylene insulated cable), etc.). It assumes a surrounding air temperature of 50°C or lower.

*2 For the FR-F846-01160(55K) or lower, it is the gauge of a cable with the continuous maximum permissible temperature of 75°C (THHW cable). It assumes a surrounding air temperature of 40°C or lower and the wiring distance of 20 m or shorter.

For the FR-F846-01800(75K) or higher, it is the gauge of a cable with the continuous maximum permissible temperature of 90°C (THHN cable). It assumes a surrounding air temperature of 40°C or lower. (For the use in the United States or Canada, refer to [page 124](#).)

*3 For the FR-F846-01160(55K) or lower, it is the gauge of a cable with the continuous maximum permissible temperature of 70°C (PVC cable). It assumes a surrounding air temperature of 40°C or lower and the wiring distance of 20 m or shorter.

For the FR-F846-01800(75K) or higher, it is the gauge of a cable with the continuous maximum permissible temperature of 90°C (XLPE cable). It assumes a surrounding air temperature of 40°C or lower. (Selection example for use mainly in Europe.)

*4 The terminal screw size indicates the size of terminal screw for R/L1, S/L2, T/L3, U, V, W, P/+, N/-, P1, and a screw for earthing (grounding).

The line voltage drop can be calculated by the following formula:

$$\text{Line voltage drop [V]} = \frac{\sqrt{3} \times \text{wire resistance [m}\Omega\text{/m]} \times \text{wiring distance [m]} \times \text{current [A]}}{1000}$$

Use a larger diameter cable when the wiring distance is long or when it is desired to decrease the voltage drop (torque reduction) in the low speed range.

NOTE

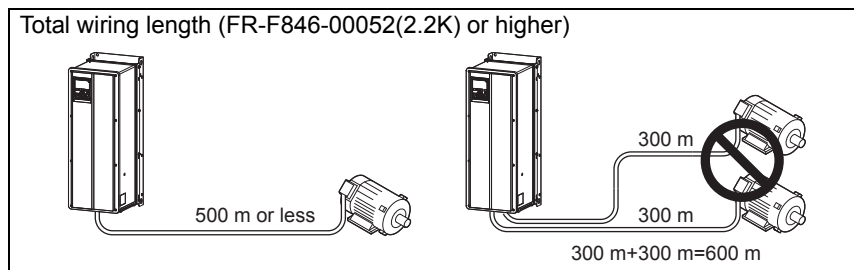
- Tighten the terminal screw to the specified torque.
 - A screw that has been tightened too loosely can cause a short circuit or malfunction.
 - A screw that has been tightened too tightly can cause a short circuit or malfunction due to the unit breakage.
- Use crimping terminals with insulation sleeves to wire the power supply and motor.

◆ Total wiring length

◆ With induction motor

Connect one or more general-purpose motors within the total wiring length shown in the following table.

Pr.72 setting (carrier frequency)	FR-F846-00023(0.75K)	FR-F846-00038(1.5K)	FR-F846-00052(2.2K) or higher
2 (2 kHz) or lower	300 m	500 m	500 m
3 (3 kHz) or higher	200 m	300 m	500 m



When driving a 400 V class motor by the inverter, surge voltages attributable to the wiring constants may occur at the motor terminals, deteriorating the insulation of the motor. In this case, take one of the following measures.

- Use a "400 V class inverter-driven insulation-enhanced motor" and set **Pr.72 PWM frequency selection** according to the wiring length.

Wiring length 50 m or shorter	Wiring length 50 m to 100 m	Wiring length longer than 100 m
15 (14.5 kHz) or lower	9 (9 kHz) or lower	4 (4 kHz) or lower

- For the FR-F846-01160(55K) or lower, connect a surge voltage suppression filter (FR-ASF-H/FR-BMF-H) at the output side of the inverter. For the FR-F846-01800(75K) or higher, connect a sine wave filter (MT-BSL/BSC) at the output side of the inverter.

◆ With PM motor

Use the following length of wiring or shorter when connecting a PM motor.

Pr.72 setting (carrier frequency)	FR-F846-00038(1.5K) or lower	FR-F846-00052(2.2K) or higher
5 (2 kHz) or lower	100 m	100 m
6 to 9 (6 kHz)	50 m	100 m
10 (10 kHz) or higher	50 m	50 m

Use one PM motor for one inverter. Multiple PM motors cannot be connected to an inverter.

NOTE

- Especially for long-distance wiring or wiring with shielded cables, the inverter may be affected by a charging current caused by stray capacitances of the wiring, leading to an activation of the overcurrent protection, malfunction of the fast-response current limit operation, or even to an inverter failure. It may also cause a malfunction or fault of the equipment connected ON the inverter output side. Stray capacitances of the wiring differ by the installation condition, use the total wiring length in the table above as reference values. If the fast-response current limit function malfunctions, disable this function. (Refer to **Pr.156 Stall prevention operation selection** on the FR-F800 Instruction Manual (Detailed).)
- A surge voltage suppression filter (FR-ASF-H/FR-BMF-H) can be used under V/F control and Advanced magnetic flux vector control. A sine wave filter (MT-BSL/BSC) can be used under V/F control. Do not use the filters under different control methods.
- For the details of **Pr.72 PWM frequency selection**, refer to the FR-F800 Instruction Manual (Detailed).
- Refer to [page 71](#) to drive a 400 V class motor by an inverter.

2.5.5 Earthing (grounding) precautions

Always earth (ground) the motor and inverter.

◆ Purpose of earthing (grounding)

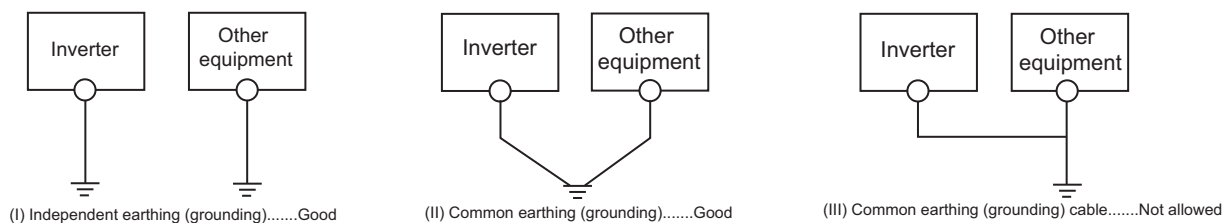
Generally, an electrical apparatus has an earth (ground) terminal, which must be connected to the ground before use. An electrical circuit is usually insulated by an insulating material and encased. However, it is impossible to manufacture an insulating material that can shut off a leakage current completely, and actually, a slight current flows into the case. The purpose of earthing (grounding) the case of an electrical apparatus is to prevent operators from getting an electric shock from this leakage current when touching it.

To avoid the influence of external noises, this earthing (grounding) is important to audio equipment, sensors, computers and other apparatuses that handle low-level signals or operate very fast.

◆ Earthing (grounding) methods and earthing (grounding) work

As described previously, earthing (grounding) is roughly classified into an electrical shock prevention type and a noise-influenced malfunction prevention type. Therefore, these two types should be clearly distinguished, and the following work must be done to prevent the leakage current having the inverter's high frequency components from entering the malfunction prevention type earthing (grounding):

- Whenever possible, use the independent earthing (grounding) for the inverter.
If independent earthing (grounding) (I) is not available, use (II) common earthing (grounding) in the figure below where the inverter is connected with the other equipment at an earthing (grounding) point. Do not use the other equipment's earthing (grounding) cable to earth (ground) the inverter as shown in (III).
- A leakage current containing many high frequency components flows into the earthing (grounding) cables of the inverter and peripheral devices. Because of this, the inverter must be earthed (grounded) separately from EMI-sensitive devices. In a high building, it may be effective to use the EMI prevention type earthing (grounding) connecting to an iron structure frame, and electric shock prevention type earthing (grounding) with the independent earthing (grounding) together.
- This inverter must be earthed (grounded). Earthing (Grounding) must conform to the requirements of national and local safety regulations and electrical codes. (NEC section 250, IEC 61140 class 1 and other applicable standards). A neutral-point earthed (grounded) power supply in compliance with EN standard must be used.
- Use the thickest possible earthing (grounding) cable. The earthing (grounding) cable should be the size indicated in the table on [page 29](#).
- The earthing (grounding) point should be as close as possible to the inverter, and the earth (ground) wire length should be as short as possible.
- Run the earthing (grounding) cable as far away as possible from the I/O wiring of equipment sensitive to noises and run them in parallel in the minimum distance.




NOTE

- To be compliant with the EU Directive (Low Voltage Directive), refer to [page 121](#).

2.6 Control circuit

2.6.1 Details on the control circuit terminals

Input signal function of the terminals in  can be selected by setting **Pr.178 to Pr.196 (I/O terminal function selection)**.

For the details of the control circuit terminal function selection, refer to the FR-F800 Instruction Manual (Detailed).

◆ Input signal

Type	Terminal symbol	Terminal name	Terminal function description		Rated specification
Contact input	STF	Forward rotation start	Turn ON the STF signal to start forward rotation and turn it OFF to stop.	When the STF and STR signals are turned ON simultaneously, the stop command is given.	Input resistance 4.7 kΩ Voltage when contacts are open: 21 to 27 VDC When contacts are short-circuited: 4 to 6 mADC
	STR	Reverse rotation start	Turn ON the STR signal to start reverse rotation and turn it OFF to stop.		
	STP (STOP)	Start self-holding selection	Turn ON the STP (STOP) signal to self-hold the start signal.		
	RH, RM, RL	Multi-speed selection	Multi-speed can be selected according to the combination of RH, RM and RL signals.		
	JOG	Jog mode selection	Turn ON the JOG signal to enable JOG operation (initial setting) and turn ON the start signal (STF or STR) to start JOG operation.		Input resistance 2 kΩ When contacts are short-circuited: 8 to 13 mADC
		Pulse train input	Terminal JOG is also used as a pulse train input terminal. To use as a pulse train input terminal, change the Pr.291 setting. (maximum input pulse: 100k pulses/s)		
	RT	Second function selection	Turn ON the RT signal to enable the second function. When the second function such as "second torque boost" and "second V/F (base frequency)" is set, turning ON the RT signal enables the selected function.		Input resistance 4.7 kΩ Voltage when contacts are open: 21 to 27 VDC When contacts are short-circuited: 4 to 6 mADC
	MRS	Output stop	Turn ON the MRS signal (20ms or more) to stop the inverter output. Use this signal to shut off the inverter output when stopping the motor with an electromagnetic brake.		
	RES	Reset	Use this signal to reset a fault output provided when a protective function is activated. Turn ON the RES signal for 0.1 s or longer, then turn it OFF. In the initial setting, reset is set always-enabled. By setting Pr.75 , reset can be set enabled only at fault occurrence. The inverter recovers about 1 s after the reset is released.		
	AU	Terminal 4 input selection	The terminal 4 function is available only when the AU signal is turned ON. Turning the AU signal ON makes terminal 2 invalid.		
	CS	Selection of automatic restart after instantaneous power failure	When the CS signal is left ON, the inverter restarts automatically at power restoration. Note that restart setting is necessary for this operation. In the initial setting, a restart is disabled.		
	SD	Contact input common (sink)*2	Common terminal for the contact input terminal (sink logic), terminal FM.		—
		External transistor common (source)*3	Connect this terminal to the power supply common terminal of a transistor output (open collector output) device, such as a programmable controller, in the source logic to avoid malfunction by undesirable current.		
		24 VDC power supply common	Common terminal for the 24 VDC power supply (terminal PC, terminal +24) Isolated from terminals 5 and SE.		
PC	External transistor common (sink)*2	Connect this terminal to the power supply common terminal of a transistor output (open collector output) device, such as a programmable controller, in the sink logic to avoid malfunction by undesirable currents. (Refer to page 37.)		Power supply voltage range 19.2 to 28.8 VDC Permissible load current 100 mA	
	Contact input common (source)*3	Common terminal for contact input terminal (source logic). (Refer to page 37.)			
	24 VDC power supply	Can be used as a 24 VDC 0.1 A power supply.			

Type	Terminal symbol	Terminal name	Terminal function description	Rated specification
Frequency setting	10E	Frequency setting power supply	When connecting the frequency setting potentiometer at an initial status, connect it to terminal 10. Change the input specifications of terminal 2 using Pr.73 when connecting it to terminal 10E.	10 VDC ± 0.4 V Permissible load current 10 mA
	10			5 VDC ± 0.5 V Permissible load current 10 mA
	2	Frequency setting (voltage)	Inputting 0 to 5 VDC (or 0 to 10 V, 0 to 20 mA) provides the maximum output frequency at 5 V (10 V, 20 mA) and makes input and output proportional. Use Pr.73 to switch among input 0 to 5 VDC (initial setting), 0 to 10 VDC, and 0 to 20 mA. Set the voltage/current input switch in the ON position to select current input (0 to 20 mA). *1	When voltage is input: Input resistance 10 k Ω ± 1 k Ω Maximum permissible voltage 20 VDC When current is input: Input resistance 245 Ω ± 5 Ω Permissible maximum current 30 mA
	4	Frequency setting (current)	Inputting 4 to 20 mADC (or 0 to 5 V, 0 to 10 V) provides the maximum output frequency at 20 mA and makes input and output proportional. This input signal is valid only when the AU signal is ON (terminal 2 input is invalid). Use Pr.267 to switch among input 4 to 20 mA (initial setting), 0 to 5 VDC, and 0 to 10 VDC. Set the voltage/current input switch in the OFF position to select voltage input (0 to 5 V/0 to 10 V). *1 Use Pr.858 to switch terminal functions.	—
	1	Frequency setting auxiliary	Inputting 0 to ± 5 VDC or 0 to ± 10 VDC adds this signal to terminal 2 or 4 frequency setting signal. Use Pr.73 to switch between input 0 to ± 5 VDC and 0 to ± 10 VDC (initial setting). Use Pr.868 to switch terminal functions.	Input resistance 10 k Ω ± 1 k Ω Permissible maximum voltage ± 20 VDC
	5	Frequency setting common	Common terminal for frequency setting signal (terminal 2, 1 or 4) and analog output terminal AM, CA. Do not earth (ground).	—
Thermistor	10 2	PTC thermistor input	For receiving PTC thermistor outputs. When PTC thermistor is valid (Pr.561 \neq "9999"), terminal 2 is not available for frequency setting.	Applicable PTC thermistor specification Overheat detection resistance: 0.5 to 30 k Ω (Set by Pr.561)
External Power supply input	+24	24 V external power supply input	For connecting a 24 V external power supply. If a 24 V external power supply is connected, power is supplied to the control circuit while the main power circuit is OFF. (Refer to page 41 .)	Input voltage 23 to 25.5 VDC Input current 1.4 A or less

- *1 Set **Pr.73**, **Pr.267**, and the voltage/current input switch correctly, then input an analog signal in accordance with the setting.
Applying a voltage with the voltage/current input switch ON (current input is selected) or a current with the switch OFF (voltage input is selected) could cause component damage of the inverter or analog circuits of output devices. (For the details, refer to the FR-F800 Instruction Manual (Detailed).)
- *2 Sink logic is initially set for the FM-type inverter.
- *3 Source logic is initially set for the CA-type inverter.

◆ Output signal

Type	Terminal symbol	Terminal name	Terminal function description		Rated specification
Relay	A1, B1, C1	Relay output 1 (fault output)	1 changeover contact output that indicates that an inverter's protective function has been activated and the outputs are stopped. Fault: discontinuity across B and C (continuity across A and C), Normal: continuity across Band C (discontinuity across A and C)		Contact capacity 230 VAC 0.3 A (power factor = 0.4) 30 VDC 0.3 A
	A2, B2, C2	Relay output 2	1 changeover contact output		
Open collector	RUN	Inverter running	Switched to LOW when the inverter output frequency is equal to or higher than the starting frequency (initial value 0.5 Hz). Switched to HIGH during stop or DC injection brake operation.		Permissible load 24 VDC (maximum 27 VDC) 0.1 A (The voltage drop is 2.8 V at maximum while the signal is ON.) LOW is when the open collector output transistor is ON (conducted). HIGH is when the transistor is OFF (not conducted).
	SU	Up to frequency	Switched to LOW when the output frequency is within the set frequency range $\pm 10\%$ (initial value). Switched to HIGH during acceleration/deceleration and at a stop.	Fault code (4 bits) output. (Refer to the FR-F800 Instruction Manual (Detailed).)	
	OL	Overload warning	Switched to LOW when stall prevention is activated by the stall prevention function. Switched to HIGH when stall prevention is canceled.		
	IPF	Instantaneous power failure	Switched to LOW when an instantaneous power failure occurs or when the undervoltage protection is activated.		
	FU	Frequency detection	Switched to LOW when the inverter output frequency is equal to or higher than the preset detection frequency, and to HIGH when it is less than the preset detection frequency.		
	SE	Open collector output common	Common terminal for terminals RUN, SU, OL, IPF, FU		
Pulse	FM *1	For meter	Outputs a selected monitored item (such as output frequency) among several monitored items. The signal is not output during an inverter reset. The output signal is proportional to the magnitude of the corresponding monitoring item. Use Pr.55 , Pr.56 , and Pr.866 to set full scales for the monitored output frequency, output current, and torque. (Refer to the FR-F800 Instruction Manual (Detailed).)	Output item: Output frequency (initial setting)	Permissible load current 2 mA For full scale 1440 pulses/s
		NPN open collector output		This terminal can be used for open collector outputs by setting Pr.291 .	Maximum output pulse 50k pulses/s Permissible load current 80 mA
Analog	AM	Analog voltage output	Use Pr.55 , Pr.56 , and Pr.866 to set full scales for the monitored output frequency, output current, and torque. (Refer to the FR-F800 Instruction Manual (Detailed).)	Output item: Output frequency (initial setting)	Output signal 0 to ± 10 VDC, Permissible load current 1 mA (load impedance 10 k Ω or more) Resolution 8 bits
	CA *2	Analog current output			Load impedance 200 Ω to 450 Ω Output signal 0 to 20 mADC

*1 Terminal FM is provided in the FM-type inverter.

*2 Terminal CA is provided in the CA-type inverter.

◆ Communication

Type	Terminal symbol	Terminal name	Terminal function description	
Ethernet	—	Ethernet connector	Communication can be made via Ethernet. Category: 100BASE-TX/10BASE-T Data transmission speed: 100 Mbps (100BASE-TX) / 10 Mbps (10BASE-T) Transmission method: Baseband Maximum segment length: 100 m between the hub and the inverter Number of cascade connection stages: Up to 2 (100BASE-TX) / up to 4 (10BASE-T) Interface: RJ-45 Number of interfaces available: 1 IP version: IPv4	
RS-485	—	PU connector	With the PU connector, communication can be made through RS-485. (For connection on a 1:1 basis only) Conforming standard: EIA-485 (RS-485) Transmission format: Multidrop link Communication speed: 4800 to 115200 bps Wiring length: 500 m	
USB	—	USB A connector	A connector (receptacle) A USB memory device enables parameter copies and the trace function.	Interface: Conforms to USB1.1 (USB2.0 full-speed compatible) Transmission speed: 12 Mbps (Refer to page 49 .)
		USB B connector	Mini B connector (receptacle) Connected to a personal computer via USB to enable setting, monitoring, test operations of the inverter by FR Configurator 2.	

◆ Safety stop signal

For the safety stop function, refer to [page 42](#).

Terminal symbol	Terminal name	Terminal function description	Rated specification
S1	Safety stop input (Channel 1)	Terminals S1 and S2 are used for the safety stop input signal for the safety relay module. Terminals S1 and S2 are used at the same time (dual channel). Inverter output is shutoff by shortening/opening between terminals S1 and SIC, or between S2 and SIC. In the initial status, terminals S1 and S2 are shorted with terminal PC by shorting wires. Terminal SIC is shorted with terminal SD. Remove the shorting wires and connect the safety relay module when using the safety stop function.	Input resistance 4.7 kΩ Input current 4 to 6 mADC (with 24 VDC input)
S2	Safety stop input (Channel 2)		
SIC	Safety stop input terminal common	Common terminal for terminals S1 and S2.	—
So(SO)	Safety monitor output (open collector output)	Indicates the safety stop input signal status. Switched to LOW when the status is other than the internal safety circuit failure. Switched to HIGH during the internal safety circuit failure status. (LOW is when the open collector output transistor is ON (conducted). HIGH is when the transistor is OFF (not conducted).) Refer to the Safety stop function instruction manual when the signal is switched to HIGH while both terminals S1 and S2 are open. (Please contact your sales representative for the manual.)	Permissible load 24 VDC (27 VDC at maximum) 0.1 A (The voltage drop is 3.4 V at maximum while the signal is ON.)
SOC	Safety monitor output terminal common	Common terminal for terminal So(SO).	—

2.6.2 Control logic (sink/source) change

Change the control logic of input signals as necessary.

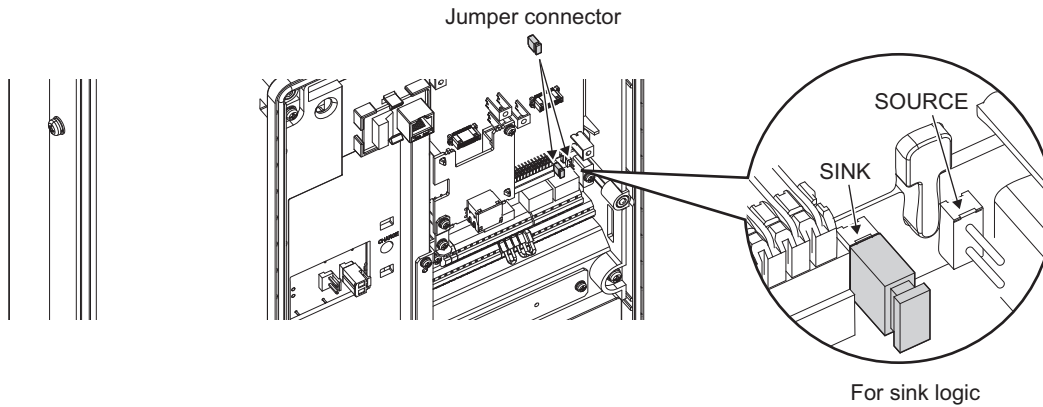
To change the control logic, change the jumper connector position on the control circuit board.

Connect the jumper connector to the connector pin of the desired control logic.

The control logic of input signals is initially set to the sink logic (SINK) for the FM type.

The control logic of input signals is initially set to the source logic (SOURCE) for the CA type.

(The output signals may be used in either the sink or source logic independently of the jumper connector position.)



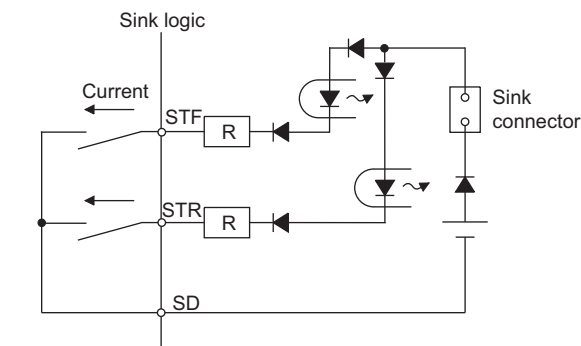
NOTE

- Make sure that the jumper connector is installed correctly.
- Never change the control logic while power is ON.

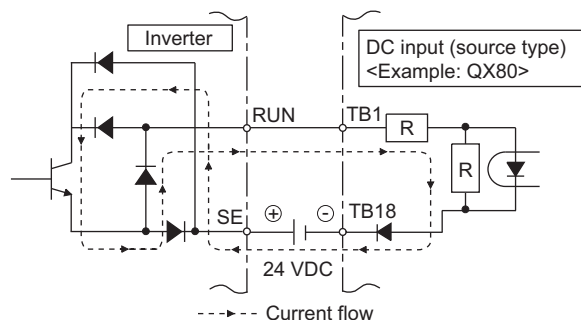
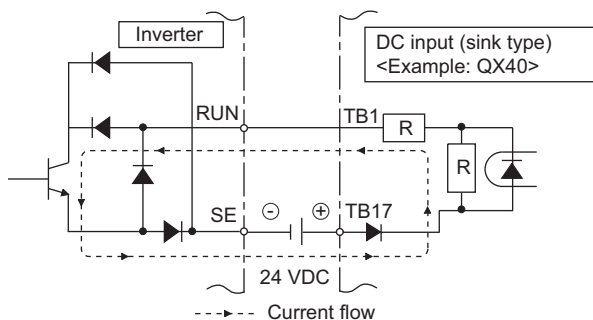
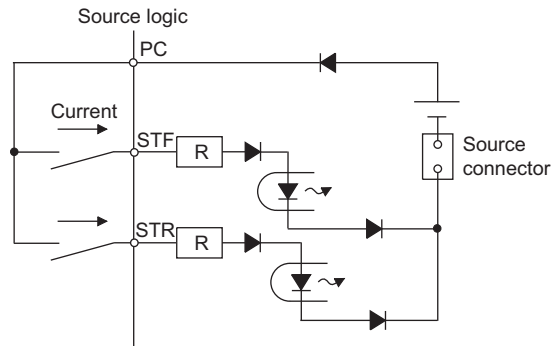
◆ Sink logic and source logic

- In the sink logic, a signal switches ON when a current flows from the corresponding signal input terminal. Terminal SD is common to the contact input signals. Terminal SE is common to the open collector output signals.
- In the source logic, a signal switches ON when a current flows into the corresponding signal input terminal. Terminal PC is common to the contact input signals. Terminal SE is common to the open collector output signals.

● Current flow concerning the input/output signal when sink logic is selected



● Current flow concerning the input/output signal when source logic is selected



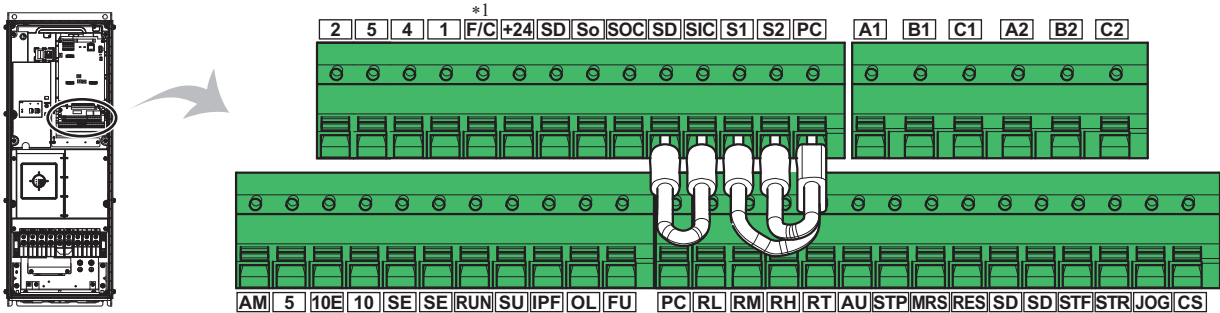
- When using an external power supply for transistor output

<p>Sink logic</p> <p>Use terminal PC as a common terminal, and perform wiring as shown below. (Do not connect terminal SD of the inverter with the terminal 0 V of the external power supply. When using terminals PC-SD as a 24 VDC power supply, do not install an external power supply in parallel with the inverter. Doing so may cause a malfunction in the inverter due to undesirable currents.)</p> <p style="text-align: center;">--- Current flow</p>	<p>Source logic</p> <p>Use terminal SD as a common terminal, and perform wiring as shown below. (Do not connect terminal PC of the inverter with the terminal +24 V of the external power supply. When using terminals PC-SD as a 24 VDC power supply, do not install an external power supply in parallel with the inverter. Doing so may cause a malfunction in the inverter due to undesirable currents.)</p> <p style="text-align: center;">--- Current flow</p>
---	---

2.6.3 Wiring of control circuit

◆ Control circuit terminal layout

- Recommended cable gauge: 0.3 to 0.75 mm²



*1 This terminal operates as terminal FM for the FM type, and as terminal CA for the CA type.

◆ Wiring method

- Power supply connection

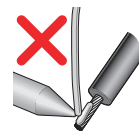
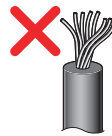
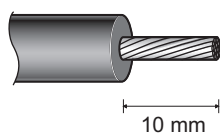
For the control circuit wiring, strip off the sheath of a cable, and use it with a blade terminal. For a single wire, strip off the sheath of the wire and apply directly.

Insert the blade terminal or the single wire into a socket of the terminal.

- (1) Strip off the sheath for the below length. If the length of the sheath peeled is too long, a short circuit may occur with neighboring wires. If the length is too short, wires might come off.

Wire the stripped cable after twisting it to prevent it from becoming loose. In addition, do not solder it.

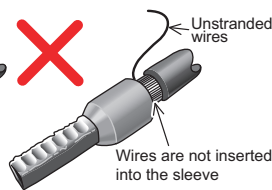
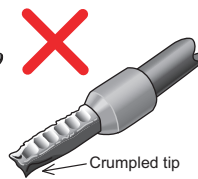
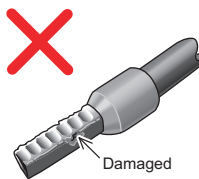
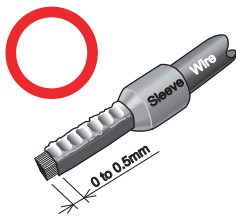
Cable stripping size



- (2) Crimp the blade terminal.

Insert wires to a blade terminal, and check that the wires come out for about 0 to 0.5 mm from a sleeve.

Check the condition of the blade terminal after crimping. Do not use a blade terminal of which the crimping is inappropriate, or the face is damaged.



- Blade terminals commercially available (as of January 2017)
Phoenix Contact Co., Ltd.

Cable gauge (mm ²)	Ferrule terminal model			Crimping tool model
	With insulation sleeve	Without insulation sleeve	For UL wire*1	
0.3	AI 0, 34-10TQ	—	—	CRIMPFOX 6
0.5	AI 0,5-10WH	—	AI 0,5-10WH-GB	
0.75	AI 0,75-10GY	A 0,75-10	AI 0,75-10GY-GB	
1	AI 1-10RD	A 1-10	AI 1-10RD/1000GB	
1.25, 1.5	AI 1,5-10BK	A 1,5-10	AI 1,5-10BK/1000GB*2	
0.75 (for two wires)	AI-TWIN 2 × 0,75-10GY	—	—	

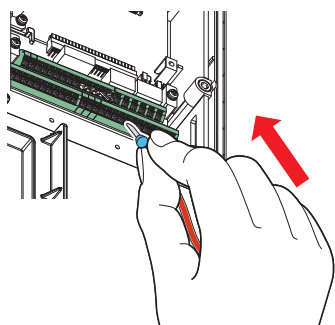
*1 A ferrule terminal with an insulation sleeve compatible with the MTW wire which has a thick wire insulation.

*2 Applicable for terminal A1, B1, C1, A2, B2, C2.

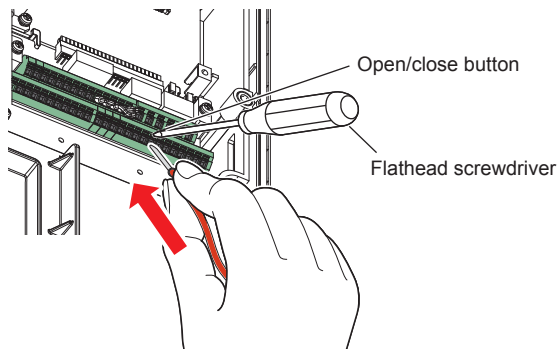
NICHIFU Co., Ltd.

Cable gauge (mm ²)	Blade terminal product number	Insulation cap product number	Crimping tool product number
0.3 to 0.75	BT 0.75-11	VC 0.75	NH 69

(3) Insert the wires into a socket.



When using a single wire or stranded wires without a blade terminal, push the open/close button all the way down with a flathead screwdriver, and insert the wire.

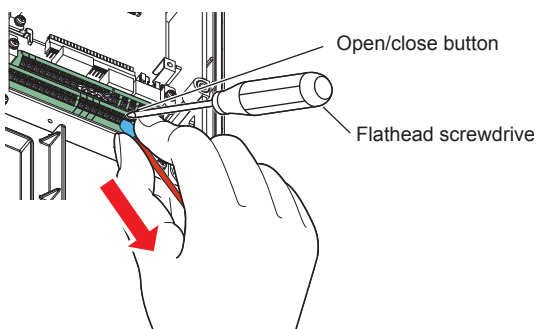


NOTE

- When using stranded wires without a blade terminal, twist enough to avoid short circuit with a nearby terminals or wires.
- Lead the wires through the holes for wiring. (For the details of the holes for wiring, refer to [page 26](#).)
- Place the flathead screwdriver vertical to the open/close button. In case the blade tip slips, it may cause an inverter damage or injury.

• Wire removal

Pull the wire while pushing the open/close button all the way down firmly with a flathead screwdriver.



NOTE

- Pulling out the wire forcefully without pushing the open/close button all the way down may damage the terminal block.
 - Use a small flathead screwdriver (tip thickness: 0.4 mm/tip width: 2.5 mm).
If a flathead screwdriver with a narrow tip is used, terminal block may be damaged.
- Commercially available products (as of February 2016)

Name	Model	Manufacturer
Driver	SZF 0- 0,4 × 2,5	Phoenix Contact Co., Ltd.

- Place the flathead screwdriver vertical to the open/close button. In case the blade tip slips, it may cause an inverter damage or injury.

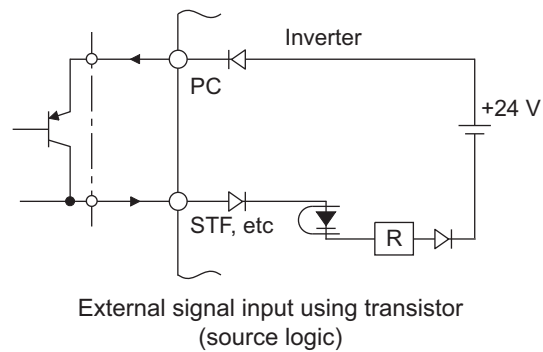
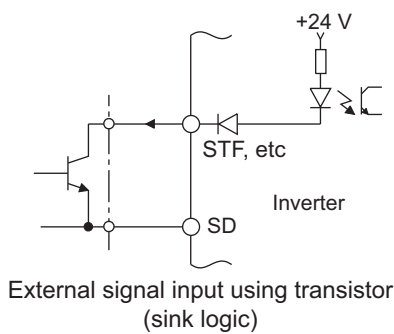
◆ Common terminals of the control circuit (SD, PC, 5, SE)

- Terminals SD (sink logic), PC (source logic), 5, and SE are common terminals (0V) for I/O signals. (All common terminals are isolated from each other.) Do not earth (ground) these terminals. Avoid connecting terminal SD (sink logic) with 5, terminal PC (source logic) with 5, and terminal SE with 5.
- In the sink logic, terminal SD is a common terminal for the contact input terminals (STF, STR, STP (STOP), RH, RM, RL, JOG, RT, MRS, RES, AU, CS) and the pulse train output terminal (FM*1). The open collector circuit is isolated from the internal control circuit by photocoupler.
- In the source logic, terminal PC is a common terminal for the contact input terminals (STF, STR, STP (STOP), RH, RM, RL, JOG, RT, MRS, RES, AU, CS). The open collector circuit is isolated from the internal control circuit by photocoupler.
- Terminal 5 is a common terminal for the frequency setting terminals (2, 1 or 4) and the analog output terminals (AM, CA*2).
- Terminal SE is a common terminal for the open collector output terminals (RUN, SU, OL, IPF, FU). The contact input circuit is isolated from the internal control circuit by photocoupler.

*1 Terminal FM is provided in the FM-type inverter.
 *2 Terminal CA is provided in the CA-type inverter.

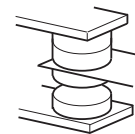
◆ Signal inputs by contactless switches

The contact input terminals of the inverter (STF, STR, STP (STOP), RH, RM, RL, JOG, RT, MRS, RES, AU, CS) can be controlled using a transistor instead of a contact switch as shown below.

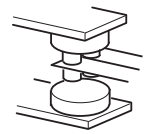


2.6.4 Wiring precautions

- It is recommended to use a cable of 0.3 to 0.75 mm² for the connection to the control circuit terminals.
- The wiring length should be 30 m (200 m for terminal FM) at the maximum.
- Use two or more parallel micro-signal contacts or twin contacts to prevent contact faults when using contact inputs since the control circuit input signals are micro-currents.
- To suppress EMI, use shielded or twisted cables for the control circuit terminals and run them away from the main and power circuits (including the 200 V relay sequence circuit). For the cables connected to the control circuit terminals, connect their shields to the common terminal of the connected control circuit terminal. When connecting an external power supply to terminal PC, however, connect the shield of the power supply cable to the negative side of the external power supply. Do not directly earth (ground) the shield to the enclosure, etc.
- Always apply a voltage to the fault output terminals (A1, B1, C1, A2, B2, C2) via a relay coil, lamp, etc.



Micro signal contacts



Twin contacts

2.6.5 When supplying 24 V external power to the control circuit

Connect a 24 V external power supply across terminals +24 and SD. Connecting a 24 V external power supply enables I/O terminal ON/OFF operation, operation panel displays, control functions, and communication during communication operation even at power-OFF of inverter's main circuit power supply. When the main circuit power supply is turned ON, the power supply source changes from the 24 V external power supply to the main circuit power supply.

◆ Specification of the applicable 24 V external power supply

Item	Rated specification
Input voltage	23 to 25.5 VDC
Input current	1.4 A or less

Commercially available products (as of February 2015)

Model	Manufacturer
S8JX-N05024C *1 Specifications: Capacity 50 W, output voltage (DC) 24 V, output current 2.1 A Installation method: Front installation with cover	OMRON Corporation
or	
S8VS-06024 *1 Specifications: Capacity 60 W, output voltage (DC) 24 V, output current 2.5 A Installation method: DIN rail installation	

*1 For the latest information about OMRON power supply, contact OMRON corporation.

◆ Starting and stopping the 24 V external power supply operation

- Supplying 24 V external power while the main circuit power is OFF starts the 24 V external power supply operation. Likewise, turning OFF the main circuit power while supplying 24 V external power starts the 24 V external power supply operation.
- Turning ON the main circuit power stops the 24 V external power supply operation and enables the normal operation.

NOTE

- When the 24 V external power is supplied while the main circuit power supply is OFF, the inverter operation is disabled.
- In the initial setting, when the main power supply is turned ON during the 24 V external power supply operation, a reset is performed in the inverter, then the power supply changes to the main circuit power supply. (The reset can be disabled using Pr.30. (For the details of Pr.30, refer to the FR-A800 Instruction Manual (Detailed).))

◆ Confirming the 24 V external power supply input

- During the 24 V external power supply operation, "EV" blinks on the operation panel.



- During the 24 V external power supply operation, the 24 V external power supply operation (EV) signal is output. To use the EV signal, set "68 (positive logic) or 168 (negative logic)" in one of Pr.190 to Pr.196 (output terminal function selection) to assign function to an output terminal.

◆ Operation while the 24 V external power is supplied

- Faults history and parameters can be read and parameters can be written (when the parameter write from the operation panel is enabled) using the operation panel keys.
- The safety stop function is invalid during the 24 V external power supply operation.
- During the 24 V external power supply operation, monitored items and signals related to inputs to main circuit power supply, such as output current and converter output voltage are invalid.
- The faults, which have occurred when the main circuit power supply is ON, continue to be output after the power supply is changed to the 24 V external power supply. Perform the inverter reset or turn OFF then ON the power to reset the faults.
- If the power supply changes from the main circuit power supply to the 24 V external power supply while measuring the main circuit capacitor's life, the measurement completes after the power supply changes back to the main circuit power supply (Pr.259 = "3").
- The output data is retained when "1 or 11" is set in Pr.495 Remote output selection.

NOTE

- Inrush current equal to or higher than the 24 V external power supply specification may flow at power-ON. Confirm that the power supply and other devices are not affected by the inrush current and the voltage drop caused by it. Depending on the power supply, the inrush current protection may be activated and disable the power supply. Select the power supply and capacity carefully.
- When the wiring length between the external power supply and the inverter is long, the voltage often drops. Select the appropriate wiring size and length to keep the voltage in the rated input voltage range.
- In a serial connection of several inverters, the current increases when it flows through the inverter wiring near the power supply. The increase of the current causes voltage to drop further. When connecting different inverters to different power supplies, use the inverters after confirming that the input voltage of each inverter is within the rated input voltage range. Depending on the power supply, the over current protection may be activated and disable the power supply. Select the power supply and capacity carefully.
- "E.SAF or E.P24" may appear when the start-up time of the 24 V power supply is too long (less than 1.5 V/s) in the 24 V external power supply operation.
- "E.P24" may appear when the 24 V external power supply input voltage is low. Check the external power supply input.
- Do not touch the control circuit terminal block (circuit board) during the 24 V power supply operation (when conducted). Otherwise you may get an electric shock or burn.

2.6.6 Safety stop function

◆ Function description

The terminals related to the safety stop function are shown below.

Terminal symbol	Terminal function description	
S1*1	For input of the safety stop channel 1	Between S1 and SIC, S2 and SIC Open: In safety stop mode Short: Other than the safety stop mode
S2*1	For input of the safety stop channel 2	
SIC*1	Common terminal for terminals S1 and S2	
So (SO)	Output when an alarm or failure is detected. The signal is output when no internal safety circuit failure*2 exists.	OFF: Internal safety circuit failure*2 ON: No internal safety circuit failure*2
SOC	Terminal So (SO) (open collector output) common	

*1 In the initial status, terminals S1 and PC, S2 and PC, and SIC and SD are respectively shorted with shorting wires. To use the safety stop function, remove all the shorting wires, and then connect to the safety relay module as shown in the connection diagram.

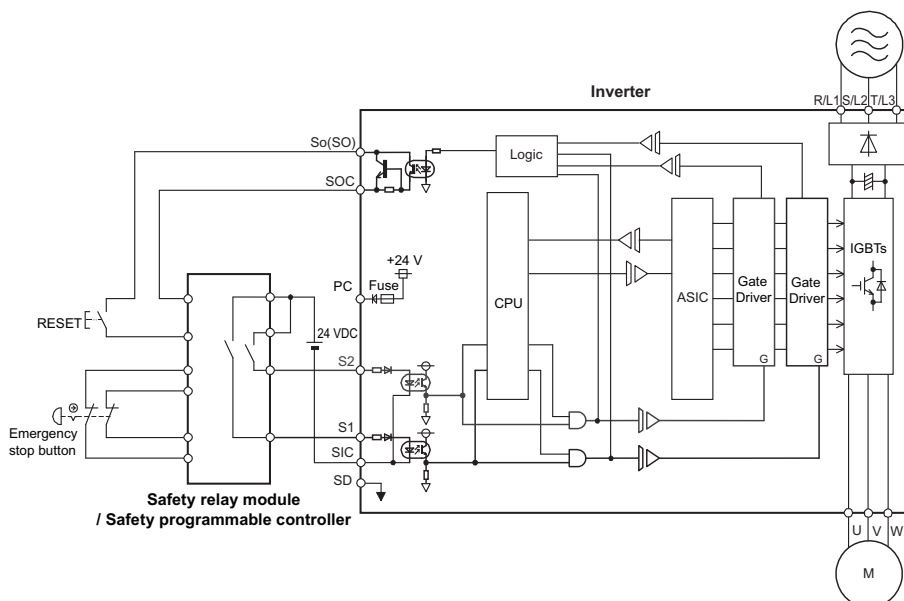
*2 At an internal safety circuit failure, the operation panel displays one of the faults shown on the next page.

NOTE

- Use terminal So (SO) to output a fault and to prevent restarting of the inverter. Terminal SO cannot be used for safety stop signals input to other devices.

◆ Connection diagram

To prevent automatic restart after a fault occurrence, connect the reset button of a safety relay module or a safety programmable controller across terminals So (SO) and SOC. The reset button acts as the feedback input for the safety relay module or the safety programmable controller.



◆ Safety stop function operation

Input power	Internal safety circuit status	Input terminal *1,*2		Output terminal So (SO)	Output signal *8,*9,*10 SAFE	Inverter running status	Operation panel indication	
		S1	S2				E.SAF*6	SA*7
OFF	—	—	—	OFF	OFF	Output shutoff (Safe state)	Not displayed	Not displayed
ON	Normal	ON	ON	ON*3	OFF	Drive enabled	Not displayed	Not displayed
	Normal	ON	OFF	OFF*4	OFF*4	Output shutoff (Safe state)	Displayed	Displayed
	Normal	OFF	ON	OFF*4	OFF*4	Output shutoff (Safe state)	Displayed	Displayed
	Normal	OFF	OFF	ON*3	ON*3	Output shutoff (Safe state)	Not displayed	Displayed
	Fault	ON	ON	OFF	OFF	Output shutoff (Safe state)	Displayed	Not displayed*5
	Fault	ON	OFF	OFF	OFF	Output shutoff (Safe state)	Displayed	Displayed
	Fault	OFF	ON	OFF	OFF	Output shutoff (Safe state)	Displayed	Displayed
Fault	OFF	OFF	OFF	OFF	Output shutoff (Safe state)	Displayed	Displayed	

- *1 ON: The transistor is conducted. OFF: The transistor is not conducted.
- *2 When not using the safety stop function, short across terminals S1 and PC, S2 and PC, and SIC and SD to use the inverter. (In the initial status, terminals S1 and PC, S2 and PC, and SIC and SD are respectively shorted with shoring wires.)
- *3 If any of the protective functions shown in the following table is activated, terminal So (SO) and the SAFE output signal turn OFF.

Error definition	Operation panel indication
Option fault	E.OPT
Communication option fault	E.OP1
Parameter storage device fault	E.PE
Retry count excess	E.RET
Parameter storage device fault	E.PE2
Operation panel power supply short circuit	E.CTE

Error definition	Operation panel indication
24 VDC power fault	E.P24
Safety circuit fault	E.SAF
Overspeed occurrence	E.OS
CPU fault	E.CPU
	E.5 to E.7
Internal circuit fault	E.13

- *4 If the internal safety circuit is operated normally, terminal So (SO) and the SAFE output signal remain ON until E.SAF is displayed, and terminal So (SO) and the SAFE output signal turn OFF when E.SAF is displayed.
- *5 SA is displayed when terminals S1 and S2 are identified as OFF due to the internal safety circuit failure.
- *6 If another fault occurs at the same time as E.SAF, the other fault can be displayed.
- *7 If another warning occurs at the same time as SA, the other warning can be displayed.
- *8 The ON/OFF state of the output signal is the one for the positive logic. The ON and OFF are reversed for the negative logic.
- *9 For the SAFE signal, refer to the following table and use any of Pr.190 to Pr.196 (output terminal function selection) to assign the function to the output terminal.

Output signal	Pr.190 to Pr.196 setting	
	Positive logic	Negative logic
SAFE	80	180



- *10 The use of SAFE signal has not been certified for compliance with safety standards.

For more details, refer to the Safety stop function instruction manual. (A PDF copy can be found in the enclosed CD-ROM. For how to use this CD-ROM, refer to page 129.)



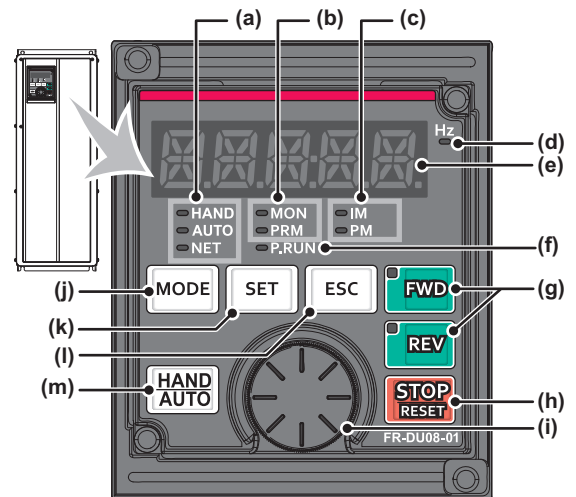
2.7 Operation panel (FR-DU08-01)

2.7.1 Differences with the FR-DU08

Item	FR-DU08	FR-DU08-01
Applicable model	FR-F800	FR-F806
Protective structure	IP40 (except for the PU connector)	IP55 (except for the PU connector)
Outline dimension (W×H×D [mm])	72×78.5×17	80×96×19
Number of fixing screws	2	4
Operation mode indicator	PU/EXT	HAND/AUTO
Operation key	PU/EXT key 	HAND/AUTO key 
Installation on the enclosure	Available	Not available

2.7.2 Components of the operation panel (FR-DU08-01)

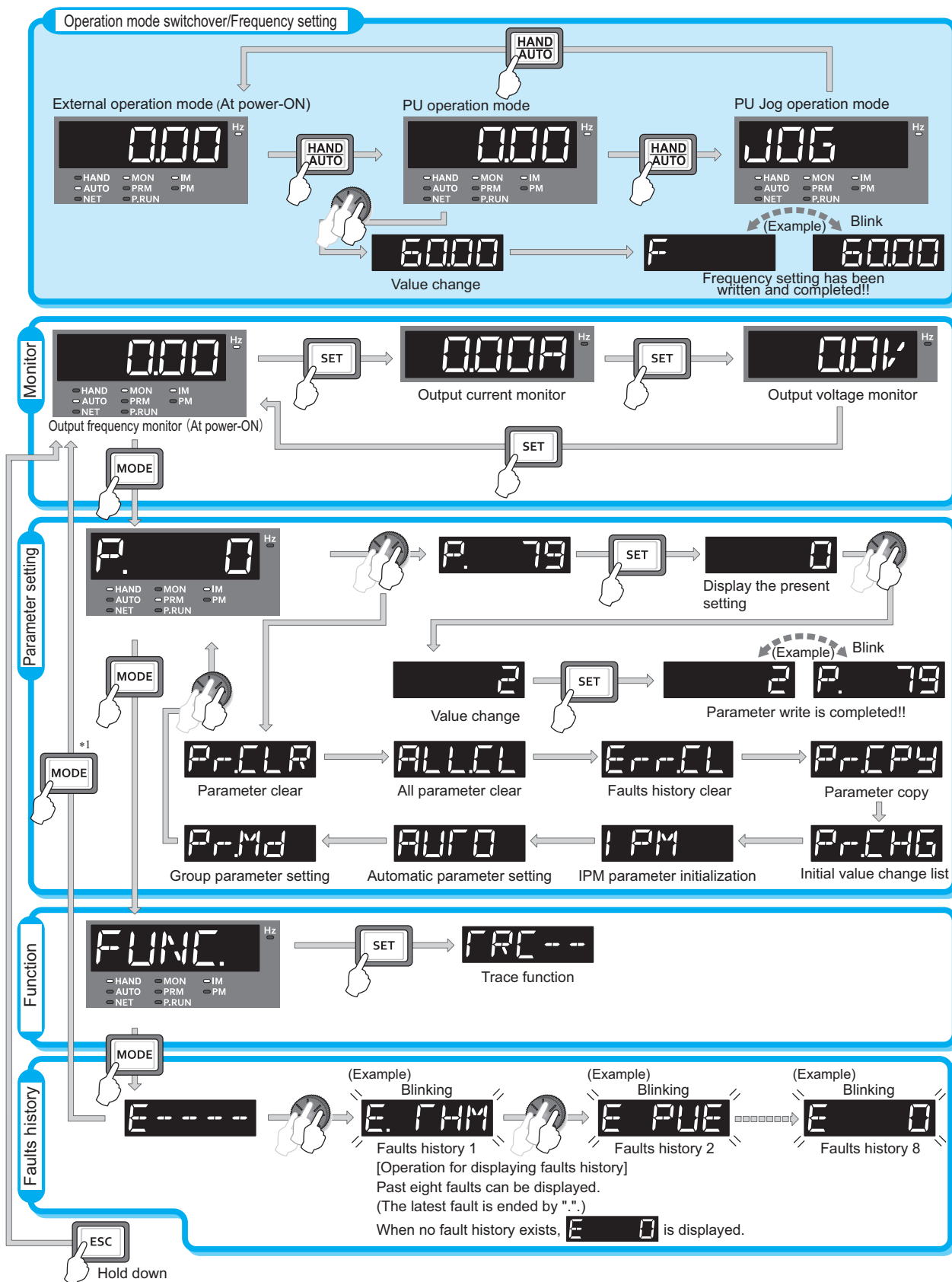
The operation panel (FR-DU08-01) is an IP55 compatible model that can only be mounted to the FR-F806 series.
(It cannot be mounted on the standard model of FR-F800 series.)



No.	Component	Name	Description
(a)		Operation mode indicator	HAND: Lit to indicate the PU operation mode. AUTO: Lit to indicate the External operation mode. (Lit at power-ON in the initial setting.) NET: Lit to indicate the Network operation mode. HAND and AUTO: Lit to indicate the External/PU combined operation mode 1 or 2.
(b)		Operation panel status indicator	MON: Lit to indicate the monitoring mode. The indicator quickly blinks twice to indicate activation of the protective function. The indicator slowly blinks before the indication disappears. PRM: Lit to indicate the parameter setting mode.
(c)		Control motor indicator	IM: Lit to indicate the induction motor control. PM: Lit to indicate the PM motor control. The indicator blinks when test operation is selected.
(d)		Frequency unit indicator	Lit to indicate frequency. (Blinks when the set frequency is displayed in the monitor.)
(e)		Monitor (5-digit LED)	Shows the frequency, parameter number, etc. (Using Pr.52 , Pr.774 to Pr.776 , the monitored item can be changed.)
(f)		PLC function indicator	Lit to indicate that the sequence program can be executed.
(g)		FWD key, REV key	FWD key: Starts forward rotation. The LED is lit during forward operation. REV key: Starts reverse rotation. The LED is lit during reverse operation. The LED blinks under the following conditions. • When the frequency command is not given even if the forward/reverse command is given. • When the frequency command is the starting frequency or lower. • When the MRS signal is being input.
(h)		STOP/RESET key	Stops the operation commands. Resets the inverter when the protection function is activated.
(i)		Setting dial	The setting dial of the Mitsubishi Electric inverters. The setting dial is used to change the frequency and parameter settings. Press the setting dial to perform the following operations: • To display a set frequency in the monitoring mode (the setting can be changed using Pr.992 .) • To display the present setting during calibration • To display a fault history number in the faults history mode
(j)		MODE key	Switches to different modes. Switches to the easy setting mode by pressing simultaneously with . Holding this key for 2 seconds locks the operation. The key lock is invalid when Pr.161 ="0 (initial setting)". (Refer to the FR-F800 Instruction Manual (Detailed).)
(k)		SET key	Enters each setting. If pressed during operation, the monitored item changes. (Using Pr.52 and Pr.774 to Pr.776 , the monitored item can be changed.)
(l)		ESC key	Goes back to the previous display. Holding this key for a longer time changes the mode back to the monitor mode.
(m)		HAND/AUTO key	Switches between the PU operation mode, the PUJOG operation mode, and the External operation mode. Switches to the easy setting mode by pressing simultaneously with . Cancels the PU stop also.

2.7.3 Basic operation of the operation panel

For the details of each function, refer to the FR-F800 Instruction Manual (Detailed).



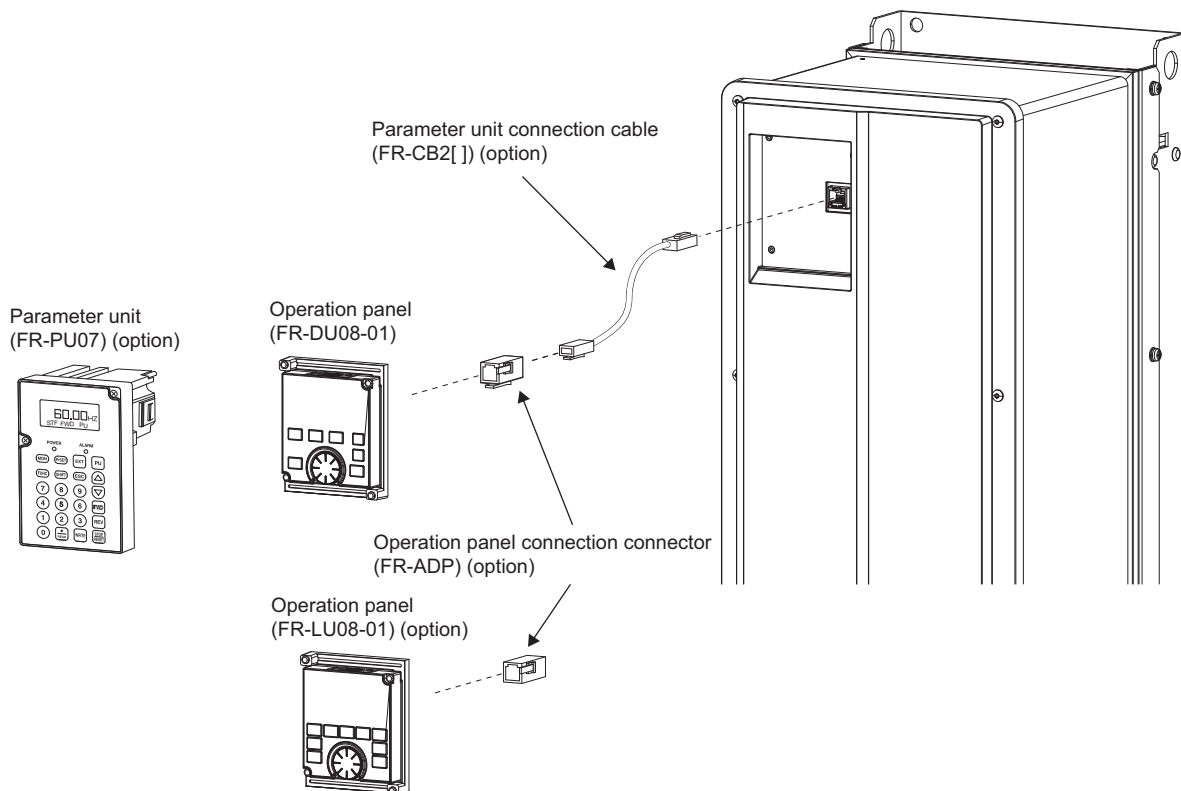
*1 The USB memory mode will appear if a USB memory device is connected. (Refer to page 49.)

2.8 Communication connectors and terminals

2.8.1 PU connector

◆ Mounting the operation panel or parameter unit

- With a connection cable, the operation panel or the parameter unit can be connected to the inverter.
(A connection connector is also required for connecting the operation panel.)
Use the option FR-CB2[] cable (and FR-ADP connector), or a cable and connector available on the market.
Securely insert both ends of the connection cable until the stoppers are fixed.
- If the operation panel is removed from the inverter, the inverter does not conform to IP55.



NOTE

- Refer to the following table when fabricating the cable on the user side. Keep the total cable length within 20 m.
- Commercially available products (as of February 2015)

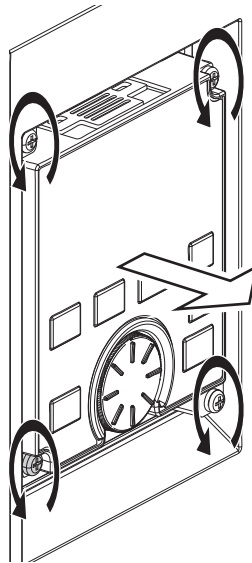
Item	Name	Model	Manufacturer
Connection cable	Communication cable	SGLPEV-T (Cat5e/300 m) 24AWG × 4P	Mitsubishi Cable Industries, Ltd.
Connector	RJ-45 connector	5-554720-3	Tyco Electronics

◆ Communication operation

- Using the PU connector enables communication operation from a personal computer, etc. When the PU connector is connected with a personal, FA or other computer by a communication cable, a user program can run to monitor the inverter or read and write parameters.
Communication can be performed with the Mitsubishi inverter protocol (computer link operation).
For the details, refer to the FR-F800 Instruction Manual (Detailed).
- If the operation panel is removed from the inverter, the inverter does not conform to IP55.

◆ Removal and reinstallation of the operation panel

- Loosen the four fixing screws on the operation panel and pull out the operation panel. (These screws cannot be removed.)



- To reinstall the operation panel, align its connector on the back with the PU connector of the inverter, and insert the operation panel. After confirming that the operation panel is fit securely, tighten the screws in the diagonal order. (Tightening torque: 0.39 to 0.49 N·m)

2.8.2 Ethernet connector

◆ Ethernet communication specifications

Item	Description
Category	100BASE-TX/10BASE-T
Data transmission speed	100 Mbps (100BASE-TX) / 10 Mbps (10BASE-T)
Transmission method	Baseband
Maximum segment length	100 m between the hub and the inverter
Number of cascade connection stages	Up to 2 (100BASE-TX) / up to 4 (10BASE-T)
Interface	RJ-45
Number of interfaces available	1
IP version	IPv4

◆ Connection cable

Use Ethernet cables compliant with the following standards.

Communication speed	Cable	Connector	Standard
100 Mbps	Category 5 or higher, (shielded / STP) straight cable	RJ-45 connector	100BASE-TX
10 Mbps	Category 3 or higher, (shielded / STP) straight cable		10BASE-T
	Category 3 or higher, (UTP) straight cable		

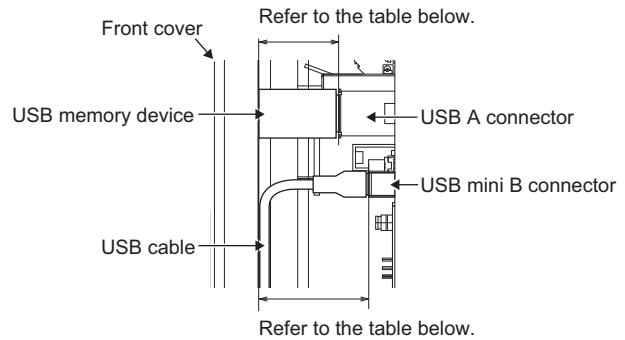
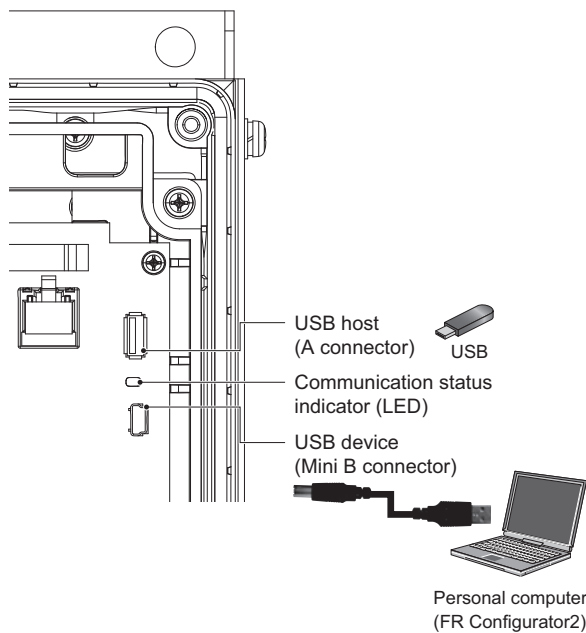
◆ Hub

Use a hub that supports transmission speed of the Ethernet.

2.8.3 USB connector

◆ Connection to the USB connectors

- Before removing a front cover, check to make sure that the indication of the inverter operation panel is OFF, wait for at least 10 minutes after the power supply has been switched OFF, and check that there is no residual voltage using a tester or the like.
- Connect a USB memory device to the USB A connector, and a USB cable to the USB mini B connector. Refer to the following for the clearance required for the USB memory device and USB cable. They must fit in the space between each connector and the front cover.



Inverter	Space between the connector and the front cover	
	USB A connector	USB mini B connector
FR-F846-00023(0.75K) to 00170(7.5K)	66 mm	75 mm
FR-F846-00250(11K) to 00470(22K)	28 mm	38 mm
FR-F846-00620(30K) to 01160(55K)	55 mm	64 mm
FR-F846-01800(75K) to 02600(110K)	41 mm	50 mm
FR-F846-03250(132K), 03610(160K)	36 mm	45 mm

◆ USB host communication

Interface		Conforms to USB1.1
Transmission speed		12 Mbps
Wiring length		Maximum 5 m
Connector		USB A connector (receptacle)
Compatible USB memory	Format	FAT32
	Capacity	1 GB or more (used in the recorder mode of the trace function)
	Encryption function	Not available

- Different inverter data can be saved in a USB memory device.

The USB host communication enables the following functions.

Function	Description
Parameter copy	<ul style="list-style-type: none"> Copies the parameter setting from the inverter to the USB memory device. A maximum of 99 parameter setting files can be saved in a USB memory device. The parameter setting data copied in the USB memory device can be copied to other inverters. This function is useful in backing up the parameter setting or for sharing the parameter setting among multiple inverters. The parameter setting file can be copied onto a personal computer from the USB memory device and edited using FR Configurator 2.
Trace	<ul style="list-style-type: none"> The monitored data and output status of the signals can be saved in a USB memory device. The saved data can be imported to FR Configurator 2 to diagnose the operating status of the inverter.
PLC function data copy	<ul style="list-style-type: none"> This function copies the PLC function project data to a USB memory device when the PLC function is used. The PLC function project data copied in the USB memory device can be copied to other inverters. This function is useful in backing up the parameter setting and for allowing multiple inverters to operate by the same sequence programs.

Communication connectors and terminals

- When the inverter recognizes the USB memory device without any problem, "USB--A" is briefly displayed on the operation panel.
- When the USB memory device is removed, "USB--" is briefly displayed on the operation panel.
- The operating status of the USB host can be checked on the LED display of the inverter.

LED display status	Operating status
OFF	No USB connection.
ON	The communication is established between the inverter and the USB device.
Blinking rapidly	The USB memory device is being accessed. (Do not remove the USB memory device.)
Blinking slowly	Error in the USB connection.

- When a device such as a USB battery charger is connected to the USB connector and an excessive current (500 mA or more) flows, USB host error "UF" (UF warning) is displayed on the operation panel.
- When the UF warning appears, the USB error can be canceled by removing the USB device and setting **Pr.1049** = "1". (The UF warning can also be canceled by resetting the inverter power or resetting with the RES signal.)

NOTE

- Do not connect devices other than a USB memory device to the inverter.
- If a USB device is connected to the inverter via a USB hub, the inverter cannot recognize the USB memory device properly.
- For the details of the usage of the USB connector, refer to the FR-F800 Instruction Manual (Detailed).

◆ USB device communication

The inverter can be connected to a personal computer with a USB (Ver. 1.1) cable. Parameter setting and monitoring can be performed by FR Configurator 2.

Interface	Conforms to USB1.1
Transmission speed	12 Mbps
Wiring length	Maximum 5 m
Connector	USB mini B connector (receptacle)
Power supply	Self-powered

NOTE

- For the details of FR Configurator 2, refer to the Instruction Manual of FR Configurator 2.

Warning

- While power is ON or when the inverter is running, do not open the front cover. Otherwise you may get an electric shock.

2.9 Connection of stand-alone option units

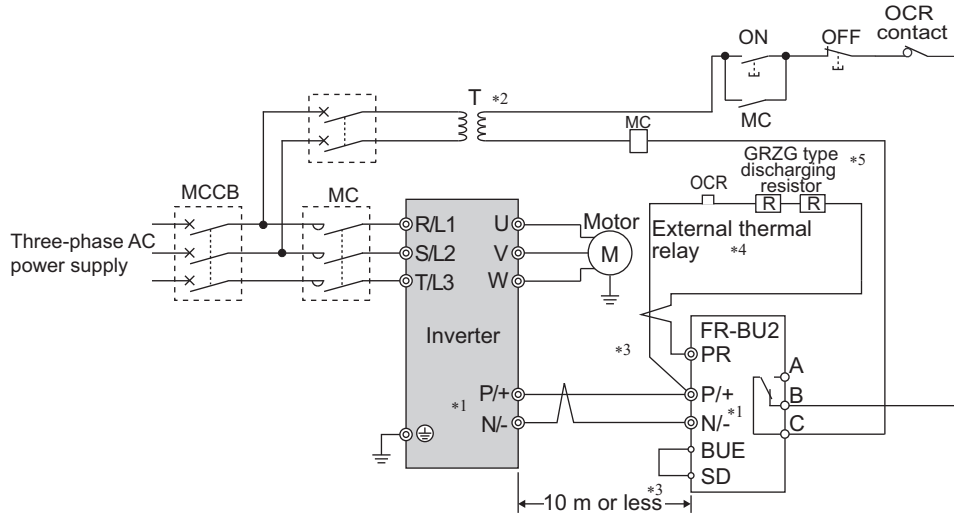
The inverter accepts a variety of stand-alone option units as required.

Incorrect connection will cause inverter damage or accident. Connect and operate the option unit carefully in accordance with the corresponding option unit manual.

2.9.1 Connection of the brake unit (FR-BU2)

Connect the brake unit (FR-BU2(H)) as shown below to improve the braking capability during deceleration.

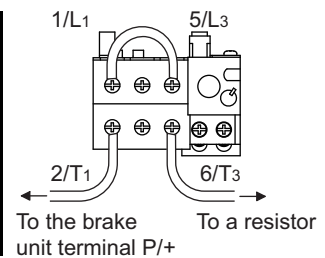
◆ Connection example with the GRZG type discharging resistor



- *1 When wiring, make sure to match the terminal symbol (P/+, N/-) at the inverter side and at the brake unit (FR-BU2) side. (Incorrect connection will damage the inverter and brake unit.)
- *2 Install a stepdown transformer.
- *3 The wiring distance between the inverter and brake unit (FR-BU2), and between the brake unit (FR-BU2) and discharging resistor must be within 5 m. Even when the wires are twisted, the cable length must be within 10 m.
- *4 It is recommended to install an external thermal relay to prevent overheat of the discharging resistor.
- *5 For the connection method of the discharging resistor, refer to the Instruction Manual of the FR-BU2.

• Recommended external thermal relay

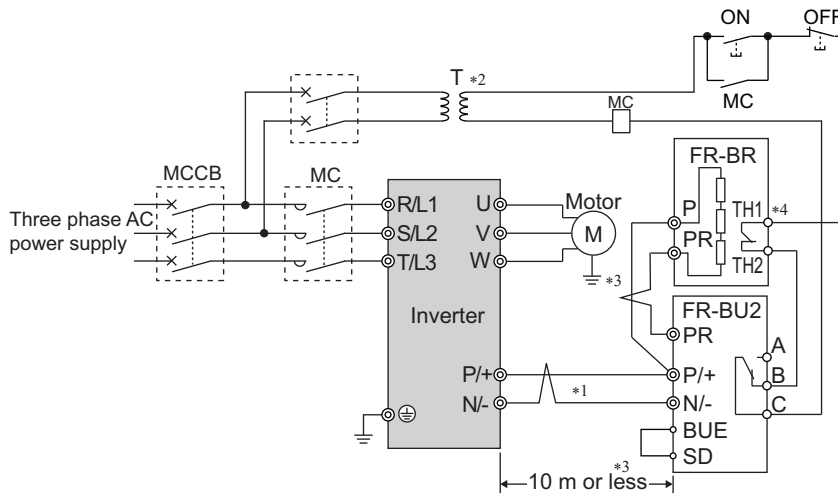
Brake unit	Discharging resistor	Recommended external thermal relay
FR-BU2-H7.5K	GRZG 200-10Ω (six in series)	TH-T25-3.6A
FR-BU2-H15K	GRZG 300-5Ω (eight in series)	TH-T25-6.6A
FR-BU2-H30K	GRZG 400-2Ω (twelve in series)	TH-T25-11A



NOTE

- Set "1" in **Pr.0 Brake mode selection** of the FR-BU2 to use a GRZG type discharging resistor.
- Do not remove the jumper across terminals P/+ and P1.

◆ Connection example with the FR-BR-(H) resistor unit



- *1 When wiring, make sure to match the terminal symbol (P/+, N/-) at the inverter side and at the brake unit (FR-BU2) side. (Incorrect connection will damage the inverter and brake unit.)
- *2 Install a stepdown transformer.
- *3 The wiring distance between the inverter and brake unit (FR-BU2), and between the brake unit (FR-BU2) and resistor unit (FR-BR) must be within 5 m. Even when the wires are twisted, the cable length must be within 10 m.
- *4 The contact between TH1 and TH2 is closed in the normal status and is open at a fault.

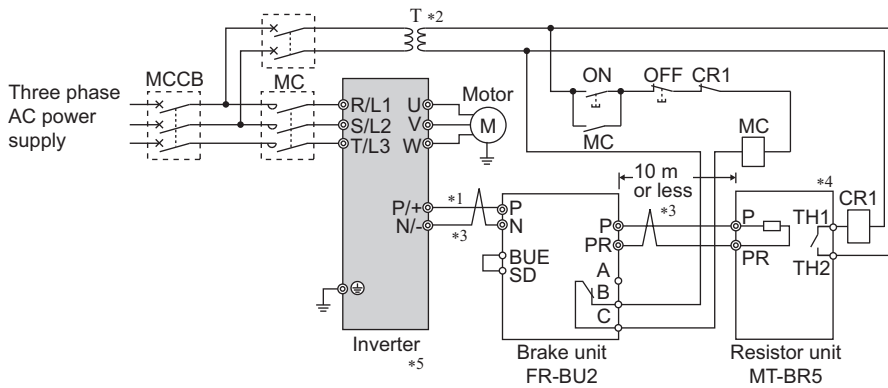
NOTE

- Do not remove the jumper across terminals P/+ and P1.

◆ Connection example with the MT-BR5 type resistor unit

After wiring securely, set **Pr.30 Regenerative function selection** = "1".

Set **Pr.0 Brake mode selection** = "2" in the brake unit FR-BU2.



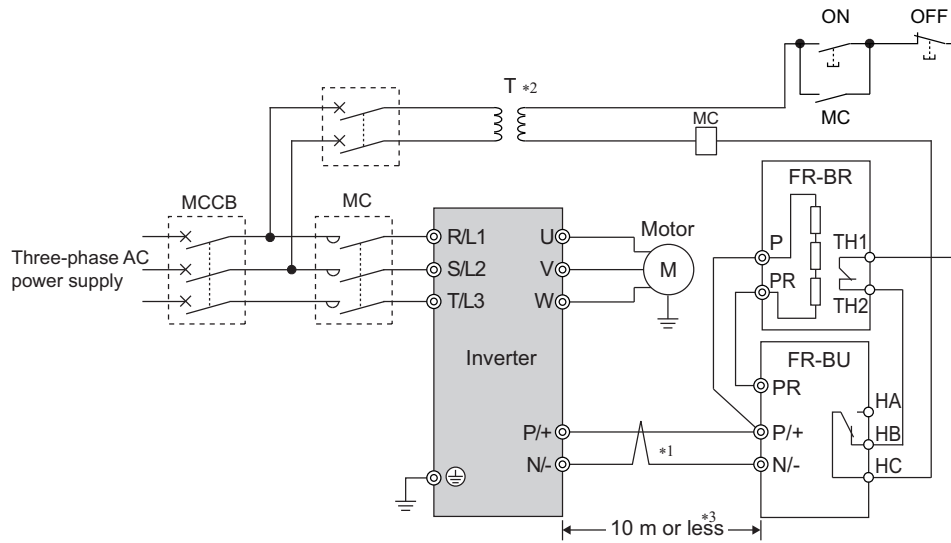
- *1 When wiring, make sure to match the terminal symbol (P/+, N/-) at the inverter side and at the brake unit (FR-BU2) side. (Incorrect connection will damage the inverter and brake unit.)
- *2 Install a stepdown transformer.
- *3 The wiring distance between the inverter and brake unit (FR-BU2), and between the brake unit (FR-BU2) and resistor unit (MT-BR5) must be within 5 m. Even when the wire is twisted, the cable length must be within 10 m.
- *4 The contact between TH1 and TH2 is open in the normal status and is closed at a fault.
- *5 The CN8 connector used with the MT-BU5 type brake unit is not used.

NOTE

- The stall prevention (overvoltage), oL, does not occur while **Pr.30 Regenerative function selection** = "1". (Refer to the FR-F800 Instruction Manual (Detailed).)

2.9.2 Connection of the brake unit (FR-BU)

Connect the brake unit (FR-BU(H)) as shown below to improve the braking capability during deceleration. The FR-BU is compatible with the FR-F846-01160(55K) or lower.



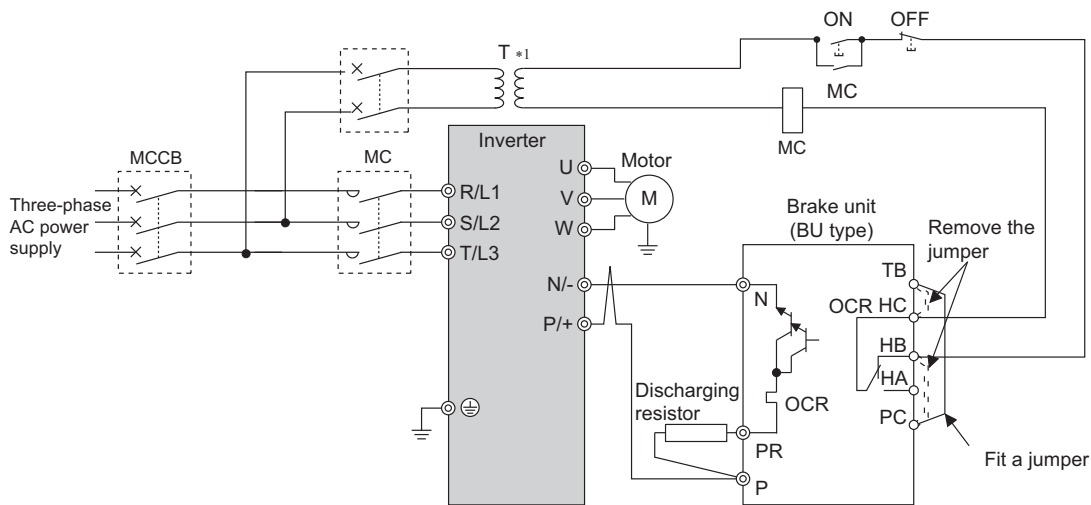
- *1 When wiring, make sure to match the terminal symbol (P/+, N/-) at the inverter side and at the brake unit (FR-BU(H)) side. (Incorrect connection will damage the inverter.)
- *2 Install a stepdown transformer.
- *3 The wiring distance between the inverter and brake unit (FR-BU), and between the brake unit (FR-BU) and resistor unit (FR-BR) must be within 5 m. Even when the cable is twisted, the wiring length must be within 10 m.

NOTE

- If the transistors in the brake unit should become faulty, the resistor will overheat. Install a magnetic contactor on the inverter's input side and configure a circuit that shut off the current in case of a fault.
- Do not remove the jumper across terminals P/+ and P1.

2.9.3 Connection of the brake unit (BU type)

Connect the brake unit (BU type) correctly as shown below. Incorrect connection will damage the inverter. Remove the jumpers across terminals HB and PC and terminals TB and HC of the brake unit and fit one across terminals PC and TB. The BU type is compatible with the FR-F846-01160(55K) or lower.



*1 Install a stepdown transformer.

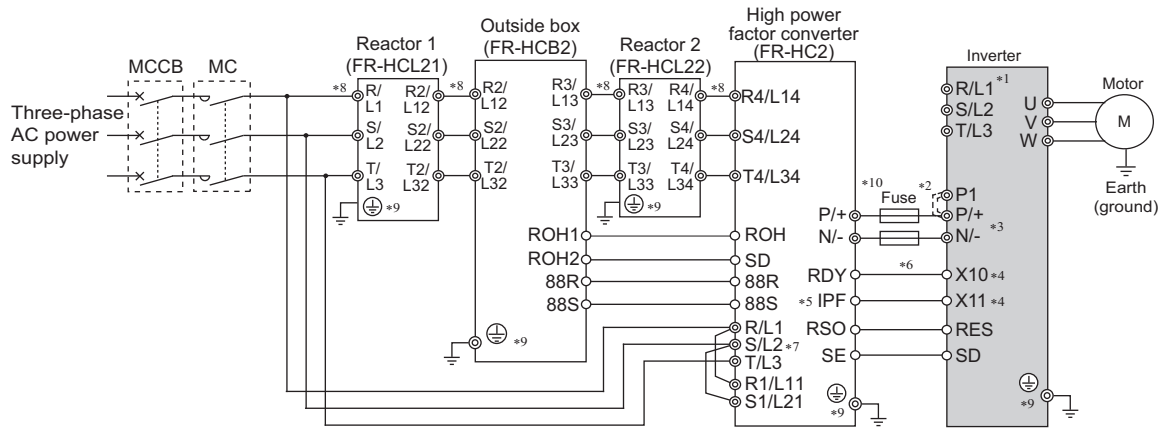
NOTE

- The wiring distance between the inverter and brake unit (BU type), and between the brake unit (BU type) and discharging resistor must be within 2 m. Even when the cable is twisted, the wiring length must be within 5 m.
- If the transistors in the brake unit should become faulty, the resistor will overheat and result in a fire. Install a magnetic contactor on the inverter's input side and configure a circuit that shut off the current in case of a fault.
- Remove the jumper across terminals P/+ and P1.

2.9.4 Connection of the high power factor converter (FR-HC2)

When connecting the high power factor converter (FR-HC2) to suppress power harmonics, perform wiring securely as shown below. Incorrect connection will damage the high power factor converter and the inverter.

After making sure that the wiring is correct, set "rated motor voltage" in **Pr.19 Base frequency voltage** (under V/F control) or **Pr.83 Rated motor voltage** (under other than V/F control) and "2" in **Pr.30 Regenerative function selection**.



- *1 Do not connect anything to power input terminals (R/L1, S/L2, T/L3). Incorrect connection will damage the inverter. (E.OPT (option fault) will occur.)
- *2 Remove the jumper across terminals P/+ and P1.
- *3 Do not install an MCCB across terminals P/+ and N/- (across terminals P and P/+ or across N and N/-). Connecting the opposite polarity of terminals N/- and P/+ will damage the inverter.
- *4 Use **Pr.178 to Pr.189 (input terminal function selection)** to assign the terminals used for the X10 (X11) signal. For RS-485 or any other communication where the start command is only transmitted once, use the X11 signal to save the operation mode at the time of an instantaneous power failure.
- *5 Assign the IPF signal to an FR-HC2 terminal. (Refer to the Instruction Manual of FR-HC2.)
- *6 Always connect the FR-HC2 terminal RDY to a terminal where the X10 signal or MRS signal is assigned in the inverter. Always connect the FR-HC2 terminal SE to the inverter terminal SD. Not connecting these terminals may damage the FR-HC2.
- *7 Always connect the R/L1, S/L2, and T/L3 terminals of FR-HC2 to the power supply. Operating the inverter without connecting them will damage the FR-HC2.
- *8 Do not install an MCCB or MC between the reactor 1 terminals (R/L1, S/L2, T/L3) and the FR-HC2 terminals (R4/L14, S4/L24, T4/L34). It will not operate properly.
- *9 Securely perform grounding (earthing) by using the grounding (earthing) terminal.
- *10 Installation of a fuse is recommended. (Refer to the Instruction Manual of FR-HC2.)

NOTE

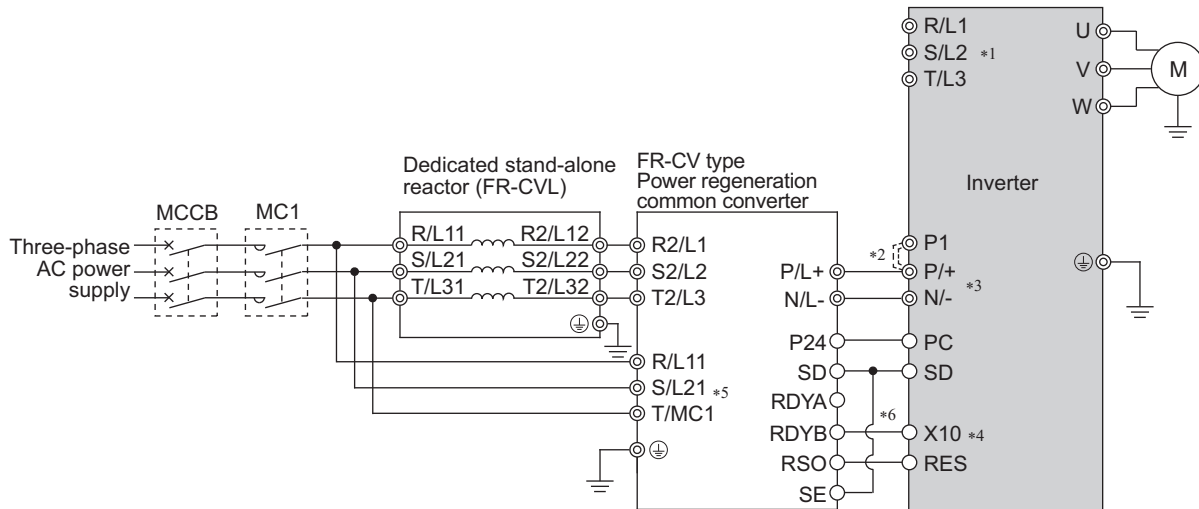
- The voltage phases of terminals R/L1, S/L2, and T/L3 and the voltage phases of terminals R4/L14, S4/L24, and T4/L34 must be matched.
- The control logic (sink logic/source logic) of the high power factor converter and the inverter must be matched. (Refer to [page 36.](#))
- For the parameter details, refer to the FR-F800 Instruction Manual (Detailed).

2.9.5 Connection of the power regeneration common converter (FR-CV)

When connecting the power regeneration common converter (FR-CV), connect the inverter terminals (P/+, N/-) and the power regeneration common converter (FR-CV) terminals as shown below so that their symbols match with each other.

The FR-CV is applicable to FR-F846-01160(55K) or lower.

After making sure that the wiring is correct, set "2" in **Pr.30 Regenerative function selection**.



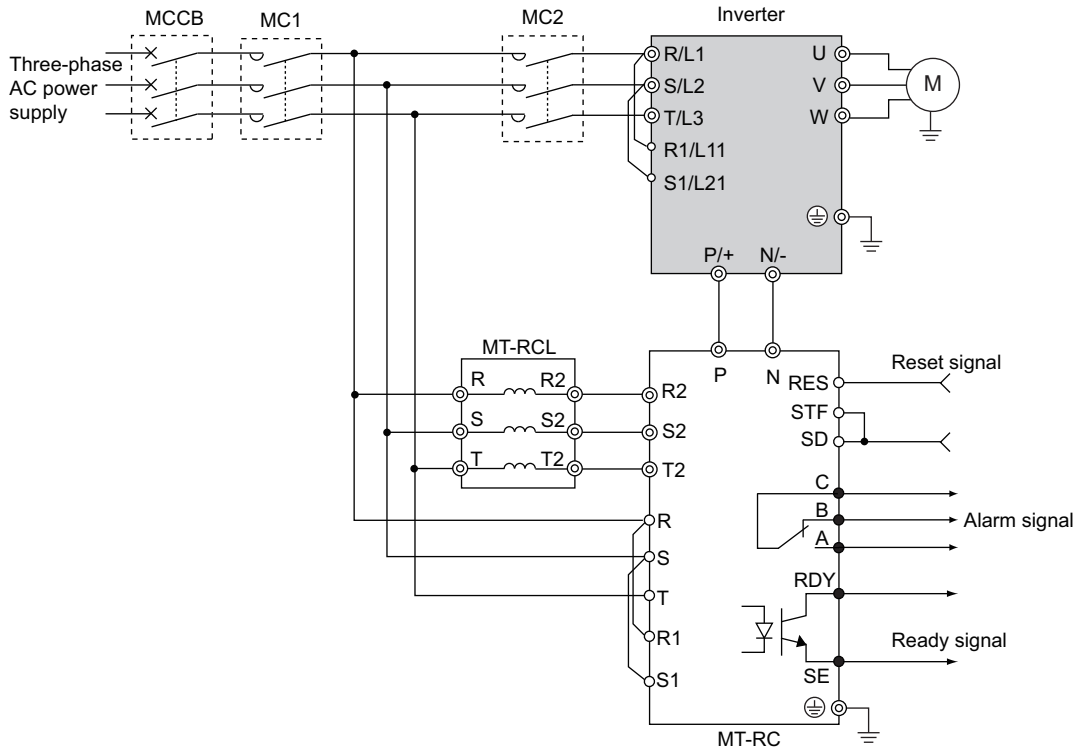
- *1 Do not connect anything to power input terminals (R/L1, S/L2, T/L3). Incorrect connection will damage the inverter. (E.OPT (option fault) will occur).
- *2 Remove the jumper across terminals P/+ and P1.
- *3 Do not insert an MCCB between terminals P/+ and N/- (between terminals P/L+ and P/+ or between N/L- and N/-). Connecting the opposite polarity of terminals N/- and P/+ will damage the inverter.
- *4 Use **Pr.178 to Pr.189 (input terminal function selection)** to assign the terminals used for the X10 signal.
- *5 Be sure to connect the power supply and terminals R/L11, S/L21, and T/MC1. Operating the inverter without connecting them will damage the power regeneration common converter.
- *6 Always connect terminal RDYB of the FR-CV to the inverter terminal where the X10 signal or the MRS signal is assigned to. Always connect terminal SE of the FR-CV to the inverter terminal SD. Not connecting these terminals may damage the FR-CV.

NOTE

- The voltage phases of terminals R/L11, S/L21, and T/MC1 and the voltage phases of terminals R2/L1, S2/L2, and T2/L3 must be matched.
- Use the sink logic (initial setting for the FM type) when the FR-CV is connected. It cannot be connected when the source logic is selected.
- For the parameter details, refer to the FR-F800 Instruction Manual (Detailed).

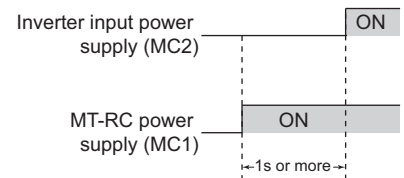
2.9.6 Connection of the power regeneration converter (MT-RC)

When connecting the power regeneration converter (MT-RC), perform wiring securely as shown below. Incorrect connection will damage the power regeneration converter and the inverter. The MT-RC is applicable to FR-F846-01800(75K) or higher. After making sure that the wiring is correct, set "1" in **Pr.30 Regenerative function selection**.



NOTE

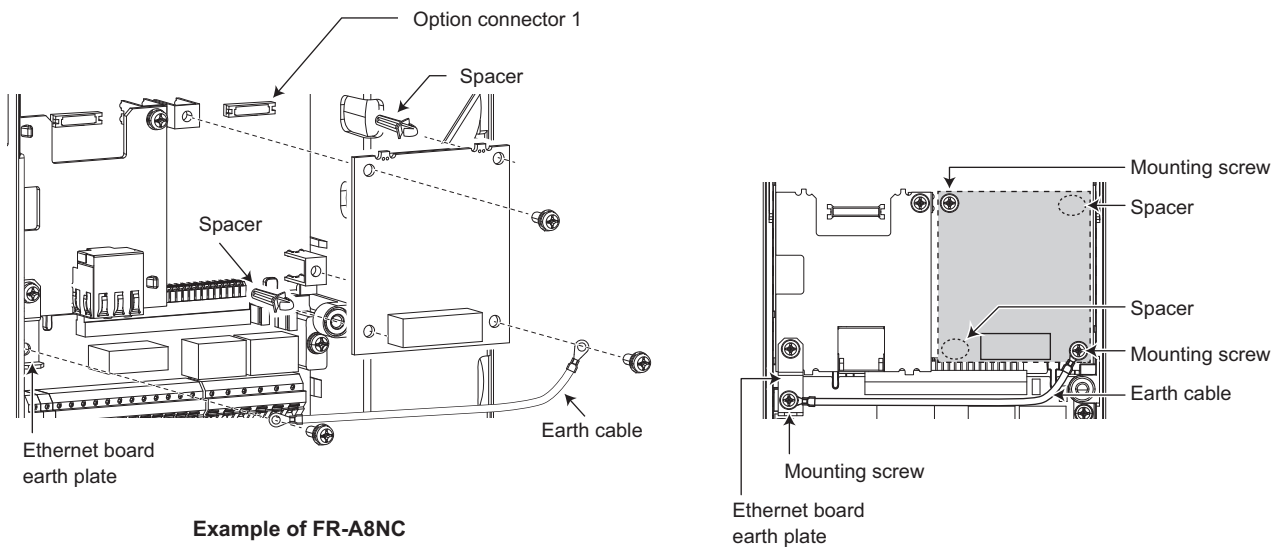
- When using the inverter with the MT-RC, install a magnetic contactor (MC) at the input side of the inverter so that power is supplied to the inverter after 1 s or more has elapsed after powering ON the MT-RC. When power is supplied to the inverter prior to the MT-RC, the inverter and the MT-RC may be damaged or the MCCB may trip or be damaged.
- When connecting the power coordination reactor and others, refer to Instruction Manual of the MT-RC for precautions.



2.10 Installing a communication option

- To use a communication option, the enclosed earthing (grounding) cable needs to be installed. Install the cable according to the following procedure.

No.	Installation procedure
1	Insert spacers into the mounting holes that will not be tightened with the option mounting screws.
2	Fit the connector of the communication option to the guide of the connector of the inverter, and insert the option as far as it goes. (Insert it to the inverter option connector 1.)
3	Remove the mounting screw (lower) of the Ethernet board earth plate. Fit the one terminal of the earthing (grounding) cable on the Ethernet board earth plate and fix it securely to the inverter with the mounting screw (tightening torque 0.33 N·m to 0.40 N·m).
4	Fix the left part of the communication option securely with the option mounting screw, and place another terminal of the earthing (grounding) cable on the right part of the option and fix the cable terminal and the option with the option mounting screw (tightening torque 0.33 N·m to 0.40 N·m). If the screws are not tightened properly, the connector may not be inserted deep enough. Check the connector.



Example of FR-A8NC

NOTE

- The number and shape of the spacers used differ depending on the communication option type. Refer to the Instruction Manual of each communication option for details.
- The earth plate enclosed with a communication option is not used.

3

PRECAUTIONS FOR USE OF THE INVERTER

This chapter explains the precautions for use of this product.
Always read the instructions before using the equipment.

3.1	Electro-magnetic interference (EMI) and leakage currents ..	60
3.2	Power supply harmonics	66
3.3	Installation of a reactor	69
3.4	Power-OFF and magnetic contactor (MC)	70
3.5	Countermeasures against deterioration of the 400 V class motor insulation.....	71
3.6	Checklist before starting operation	72
3.7	Failsafe system which uses the inverter	74

3.1 Electro-magnetic interference (EMI) and leakage currents

3.1.1 Leakage currents and countermeasures

Capacitances exist between the inverter I/O cables, other cables and earth and in the motor, through which a leakage current flows. Since its value depends on the static capacitances, carrier frequency, etc., low acoustic noise operation at the increased carrier frequency of the inverter will increase the leakage current. Therefore, take the following countermeasures. Select the earth leakage current breaker according to its rated sensitivity current, independently of the carrier frequency setting.

◆To-earth (ground) leakage currents

Leakage currents may flow not only into the inverter's own line but also into the other lines through the earthing (grounding) cable, etc. These leakage currents may operate earth leakage circuit breakers and earth leakage relays unnecessarily.

●Suppression technique

- If the carrier frequency setting is high, decrease the **Pr.72 PWM frequency selection** setting. Note that motor noise increases. Selecting **Pr.240 Soft-PWM operation selection** makes the sound inoffensive.
- By using earth leakage circuit breakers designed for harmonic and surge suppression in the inverter's own line and other line, operation can be performed with the carrier frequency kept high (with low noise).

●To-earth (ground) leakage currents

- Take caution as long wiring will increase the leakage current. Decreasing the carrier frequency of the inverter reduces the leakage current.
- Increasing the motor capacity increases the leakage current.

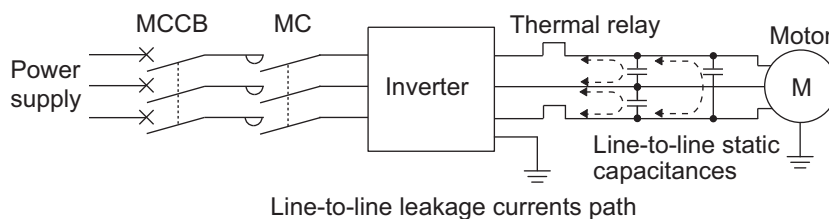
◆Line-to-line leakage currents

Harmonics of leakage currents flowing in static capacitances between the inverter output cables may operate the external thermal relay unnecessarily. When the wiring length is long (50 m or more) for small-capacity models (FR-F846-00170(7.5K) or lower), the external thermal relay is likely to operate unnecessarily because the ratio of the leakage current to the rated motor current increases.

●Line-to-line leakage current example

Motor capacity (kW)	Rated motor current (A)	Leakage current (mA)	
		Wiring length 50 m	Wiring length 100 m
0.4	1.8	620	1000
0.75	3.2	680	1060
1.5	5.8	740	1120
2.2	8.1	800	1180
3.7	12.8	880	1260
5.5	19.4	980	1360
7.5	25.6	1070	1450

- Motor: SF-JR 4P
- Carrier frequency: 14.5 kHz
- Cable: 2 mm², 4 cores
- Cabtyre cable



●Countermeasures

- Use **Pr.9 Electronic thermal O/L relay**.
- If the carrier frequency setting is high, decrease the **Pr.72 PWM frequency selection** setting. Note that motor noise increases. Selecting **Pr.240 Soft-PWM operation selection** makes the sound inoffensive. To ensure that the motor is protected against line-to-line leakage currents, it is recommended to use a temperature sensor to directly detect motor temperature.

● Installation and selection of the molded case circuit breaker

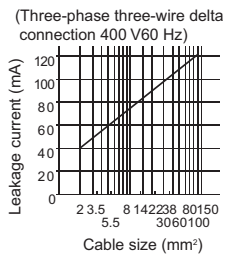
Install a molded case circuit breaker (MCCB) on the power receiving side to protect the wiring at the inverter input side. Select an MCCB according to the inverter input side power factor, which depends on the power supply voltage, output frequency and load. Especially for a completely electromagnetic MCCB, a slightly large capacity must be selected since its operation characteristic varies with harmonic currents. (Check it in the data of the corresponding breaker.) As an earth leakage current breaker, use the Mitsubishi earth leakage current breaker designed for harmonics and surge suppression.

◆ **Selecting the rated sensitivity current for the earth leakage circuit breaker**

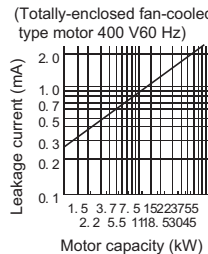
When using an earth leakage circuit breaker with the inverter circuit, select its rated sensitivity current as follows, independently of the PWM carrier frequency.

- Breaker designed for harmonic and surge suppression
 - Rated sensitivity current
 - $I\Delta n \geq 10 \times (I_{g1} + I_{gn} + I_{gi} + I_{g2} + I_{gm})$
 - Standard breaker
 - Rated sensitivity current
 - $I\Delta n \geq 10 \times \{I_{g1} + I_{gn} + I_{gi} + 3 \times (I_{g2} + I_{gm})\}$
- I_{g1}, I_{g2} : Leakage currents in wire path during commercial power supply operation
 I_{gn} : Leakage current of inverter input side noise filter
 I_{gm} : Leakage current of motor during commercial power supply operation
 I_{gi} : Leakage current of inverter unit

Example of leakage current per 1km during the commercial power supply operation when the CV cable is routed in metal conduit

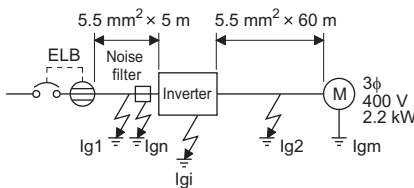


Leakage current example of three-phase induction motor during the commercial power supply operation



For "Δ" connection, the amount of leakage current is approx. 1/3 of the above value.

<Example>



Item	Breaker designed for harmonic and surge suppression	Standard breaker
Leakage current I_{g1} (mA)	$\frac{1}{3} \times 66 \times \frac{5 \text{ m}}{1000 \text{ m}} = 0.11$	
Leakage current I_{gn} (mA)	0 (without noise filter)	
Leakage current I_{gi} (mA)	1 (without EMC filter) For the leakage current of the inverter, refer to the following table.	
Leakage current I_{g2} (mA)	$\frac{1}{3} \times 66 \times \frac{60 \text{ m}}{1000 \text{ m}} = 1.32$	
Motor leakage current I_{gm} (mA)	0.36	
Total leakage current (mA)	2.79	6.15
Rated sensitivity current (mA) ($\geq I_g \times 10$)	30	100

• Inverter leakage current (with and without EMC filter)

Input power conditions (400 V class: 440 V/60 Hz, power supply unbalance within 3%)

	Voltage (V)	EMC filter (C3)		EMC filter (C2)
		ON (mA)	OFF (mA)	ON (mA)*1
Phase earthing (grounding)	400	35	2	—*2
Earthed-neutral system	400	2	1	2

*1 Do not change the initially set ON (enabled) position of the EMC filter ON/OFF connector in the case of the inverter with a built-in C2 filter. The Class C2 compatibility condition is not satisfied with the EMC filter OFF. The FR-F846-00250(11K)-C2 to FR-F846-00470(22K)-C2 are not provided with the EMC filter ON/OFF connector. The EMC filter is always ON.

*2 The inverter with a built-in C2 filter must be used in the earthed-neutral system.

NOTE

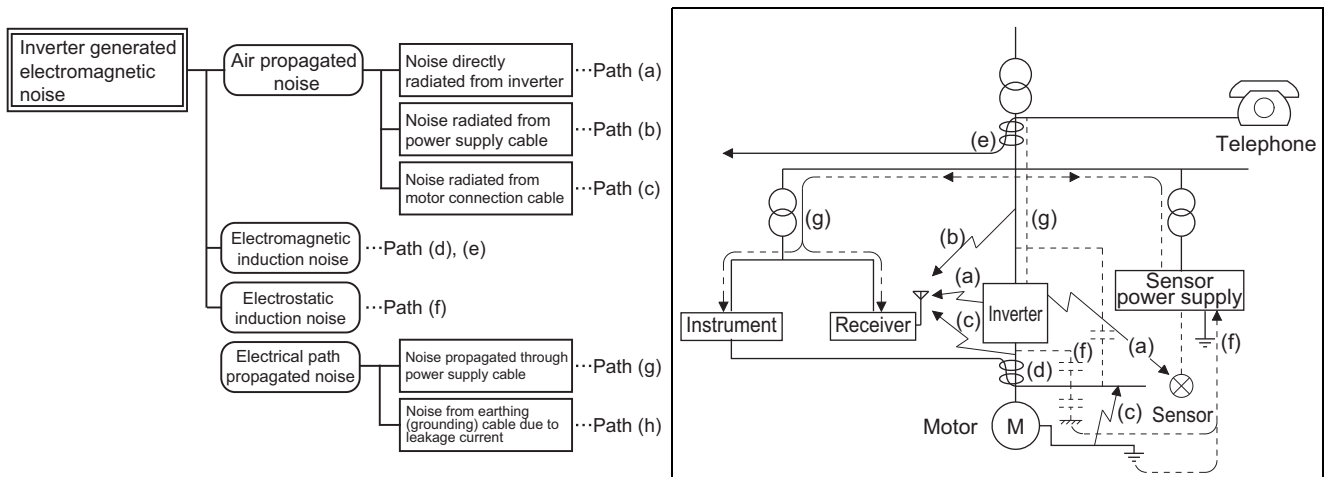
- Install the earth leakage circuit breaker (ELB) on the input side of the inverter.
- In the Δ connection earthed-neutral system, the sensitivity current is blunt against a ground fault in the inverter output side. Earthing (Grounding) must conform to the requirements of national and local safety regulations and electrical codes. (NEC section 250, IEC 536 class 1 and other applicable standards)
- When the breaker is installed on the output side of the inverter, it may be unnecessarily operated by harmonics even if the effective value is within the rating.
In this case, do not install the breaker since the eddy current and hysteresis loss will increase, leading to temperature rise.
- The following models are standard breakers: BV-C1, BC-V, NVB, NV-L, NV-G2N, NV-G3NA, NV-2F, earth leakage relay (except NV-ZHA), and NV with AA neutral wire open-phase protection. The other models are designed for harmonic and surge suppression: NV-C/NV-S/MN series, NV30-FA, NV50-FA, BV-C2, earth leakage alarm breaker (NF-Z), NV-ZHA, and NV-H.

3.1.2 Countermeasures against inverter-generated EMI

Some electromagnetic noises enter the inverter to cause the inverter malfunction, and others are radiated by the inverter to cause the peripheral devices to malfunction. Though the inverter is designed to have high immunity performance, it handles low-level signals, so it requires the following basic techniques. Also, since the inverter chops outputs at high carrier frequency, that could generate electromagnetic noises. If these electromagnetic noises cause peripheral devices to malfunction, EMI countermeasures should be taken to suppress noises. These techniques differ slightly depending on EMI paths.

- Basic techniques
 - Do not run the power cables (I/O cables) and signal cables of the inverter in parallel with each other and do not bundle them.
 - Use shielded twisted pair cables for the detector connecting and control signal cables and connect the sheathes of the shielded cables to terminal SD.
 - Ground (Earth) the inverter, motor, etc. at one point.
- Techniques to reduce electromagnetic noises that enter and cause a malfunction of the inverter (EMI countermeasures)
When devices that generate many electromagnetic noises (which use magnetic contactors, electromagnetic brakes, many relays, for example) are installed near the inverter and the inverter may malfunction due to electromagnetic noises, the following countermeasures must be taken:
 - Provide surge suppressors for devices that generate many electromagnetic noises to suppress electromagnetic noises.
 - Install data line filters (page 63) to signal cables.
 - Ground (Earth) the shields of the detector connection and control signal cables with cable clamp metal.
- Techniques to reduce electromagnetic noises that are radiated by the inverter to cause the peripheral devices to malfunction (EMI countermeasures)

Inverter-generated noises are largely classified into those radiated by the cables connected to the inverter and inverter main circuits (I/O), those electromagnetically and electrostatically induced to the signal cables of the peripheral devices close to the main circuit power supply, and those transmitted through the power supply cables.



Noise propagation path	Countermeasure
(a)(b)(c)	<p>When devices that handle low-level signals and are liable to malfunction due to electromagnetic noises, e.g. instruments, receivers and sensors, are near the inverter or when the signal cables are run near the inverter, the devices may malfunction due to by air-propagated electromagnetic noises. The following countermeasures must be taken:</p> <ul style="list-style-type: none"> • Install easily affected devices as far away as possible from the inverter. • Run easily affected signal cables as far away as possible from the inverter and its I/O cables. • Do not run the signal cables and power cables (inverter I/O cables) in parallel with each other and do not bundle them. • Set the EMC filter ON/OFF connector of the inverter to the ON position. (Refer to page 64.) • Inserting a line noise filter into the output suppresses the radiated noise from the cables. • Use shielded cables as signal cables and power cables and run them in individual metal conduits to produce further effects.
(d)(e)(f)	<p>When the signal cables are run in parallel with or bundled with the power cables, magnetic and static induction noises may be propagated to the signal cables to cause malfunction of the devices and the following countermeasures must be taken:</p> <ul style="list-style-type: none"> • Install easily affected devices as far away as possible from the inverter. • Run easily affected signal cables as far away as possible from the inverter and its I/O cables. • Do not run the signal cables and power cables (inverter I/O cables) in parallel with each other and do not bundle them. • Use shielded cables as signal cables and power cables and run them in individual metal conduits to produce further effects.
(g)	<p>When the power supplies of the peripheral devices are connected to the power supply of the inverter in the same line, inverter-generated noises may flow back through the power supply cables to cause malfunction of the devices and the following countermeasures must be taken:</p> <ul style="list-style-type: none"> • Set the EMC filter ON/OFF connector of the inverter to the ON position. (Refer to page 64.) • Install the line noise filter (FR-BLF, FR-BSF01) to the power cables (output cables) of the inverter.
(h)	<p>When a closed loop circuit is formed by connecting the peripheral device wiring to the inverter, leakage currents may flow through the earthing (grounding) cable of the inverter to cause the device to malfunction. In that case, disconnecting the earthing (grounding) cable from the device may stop the malfunction of the device.</p>

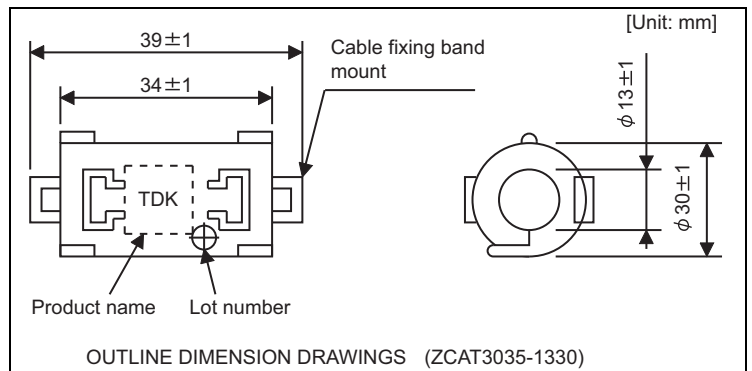
● Data line filter

Data line filter is effective as an EMI countermeasure. Provide a data line filter for the detector cable, etc.

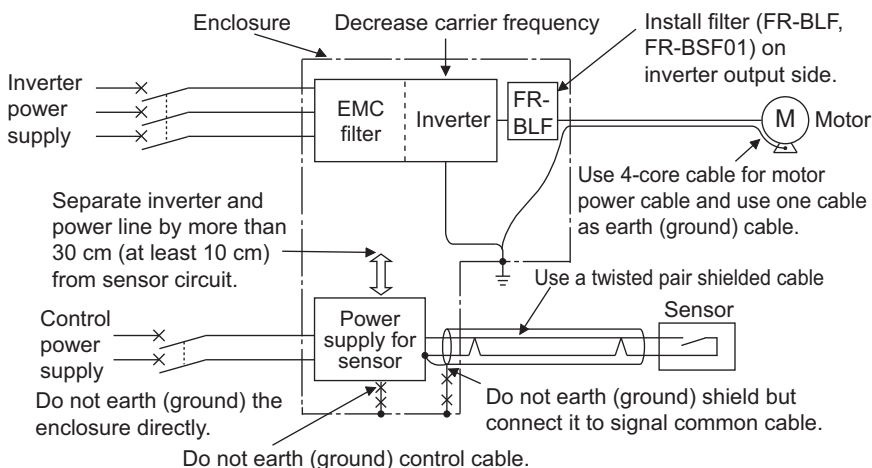
<Example> Data line filter : ZCAT3035-1330 (by TDK)
 : ESD-SR-250 (by NEC TOKIN)
 Impedance (ZCAT3035-1330)

Impedance (Ω)	
10 to 100 MHz	100 to 500 MHz
80	150

The impedance values above are reference values, and not guaranteed values.



● EMI countermeasure example



NOTE

• For compliance with the EU EMC Directive, refer to [page 121.](#)

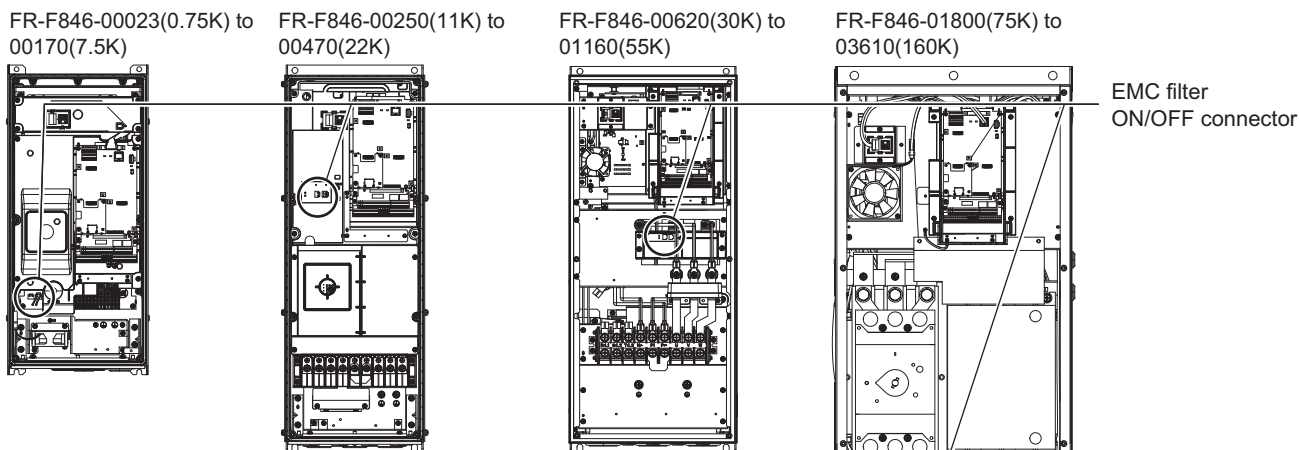
3.1.3 Built-in EMC filter

This inverter is equipped with a built-in EMC filter (capacitive filter) and a common mode choke.

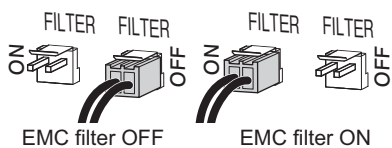
These filters are effective in reducing air-propagated noise on the input side of the inverter.

To enable the EMC filter, fit the EMC filter ON/OFF connector to the ON position. The EMC filter is initially set to the "disabled" (OFF) position for the FM type (with a built-in C3 filter). The EMC filter is initially set to the "enabled" (ON) position for the FM type (with a built-in C2 filter) and the CA type.

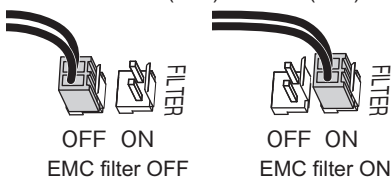
The input side common mode choke, which is built in the inverter, is always enabled regardless of the EMC filter ON/OFF connector setting.



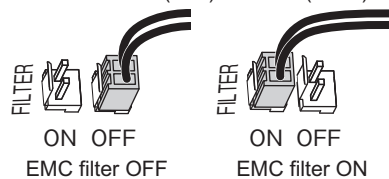
FR-F846-00023(0.75K) to 00170(7.5K)



FR-F846-00250(11K) to 01160(55K)



FR-F846-01800(75K) to 03610(160K)

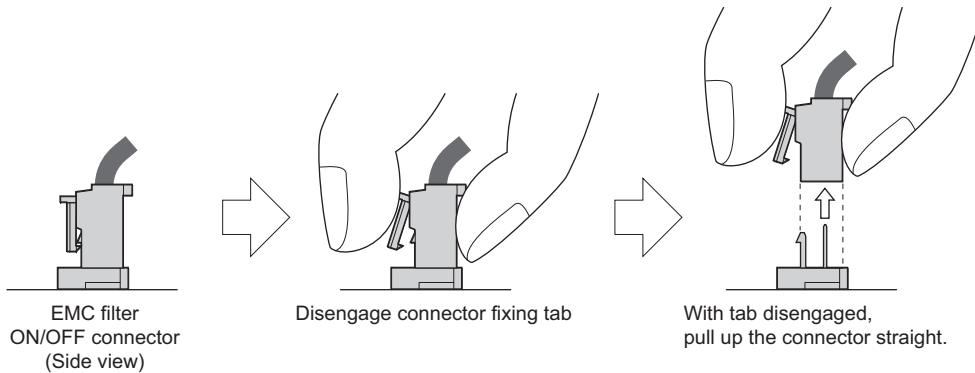


- Switching ON/OFF the filter

- (1) Before removing a front cover, check to make sure that the indication of the inverter operation panel is OFF, wait for at least 10 minutes after the power supply has been switched OFF, and check that there is no residual voltage using a tester or the like.
- (2) When disconnecting the connector, push the fixing tab and pull the connector straight without pulling the cable or forcibly pulling the connector with the tab fixed.

When installing the connector, also engage the fixing tab securely.

(If it is difficult to disconnect the connector, use a pair of needle-nose pliers, etc.)



NOTE

- Do not change the initially set ON (enabled) position of the EMC filter ON/OFF connector when a built-in C2 filter is used. The Class C2 compatibility condition is not satisfied with the EMC filter OFF.
- The FR-F846-00250(11K)-C2 to FR-F846-00470(22K)-C2 are not provided with the EMC filter ON/OFF connector. The EMC filter is always ON.
- Fit the connector to either ON or OFF position.
- Enabling (turning ON) the EMC filter increases leakage current. (Refer to [page 61.](#))



Warning

- While power is ON or when the inverter is running, do not open the front cover. Otherwise you may get an electric shock.

3.2 Power supply harmonics

3.2.1 Power supply harmonics

The inverter may generate power supply harmonics from its converter circuit to affect the power generator, power factor correction capacitor etc. Power supply harmonics are different from noise and leakage currents in source, frequency band and transmission path. Take the following countermeasure suppression techniques.

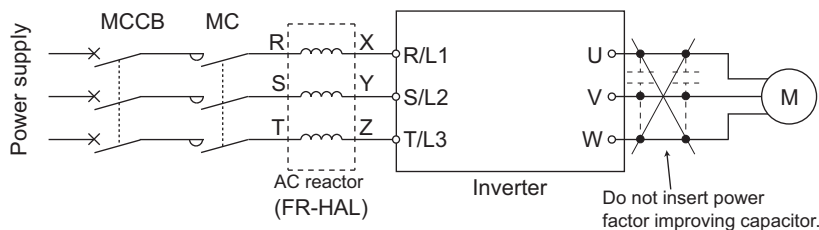
- The differences between harmonics and noises

Item	Harmonics	Noise
Frequency	Normally 40th to 50th degrees or less (3 kHz or less).	High frequency (several 10 kHz to 1 GHz order).
Location	To-electric channel, power impedance.	To-space, distance, wiring path
Quantitative understanding	Theoretical calculation possible.	Random occurrence, quantitative grasping difficult.
Generated amount	Nearly proportional to the load capacity.	Changes with the current variation ratio. (Gets larger as switching speed increases.)
Affected equipment immunity	Specified by standards per equipment.	Different depending on maker's equipment specifications.
Countermeasure	Provide an AC reactor.	Increase distance.

- Countermeasures

The harmonic current generated from the inverter to the input side differs according to various conditions such as the wiring impedance, whether a reactor is used or not, and output frequency and output current on the load side. (A DC reactor is built in to the FR-F806.)

For the output frequency and output current, we understand that this should be calculated in the conditions under the rated load at the maximum operating frequency.



NOTE

- The power factor improving capacitor and surge suppressor on the inverter output side may be overheated or damaged by the harmonic components of the inverter output. Also, since an excessive current flows in the inverter to activate overcurrent protection, do not provide a capacitor and surge suppressor on the inverter output side when the motor is driven by the inverter. For power factor improvement, install a reactor on the inverter input side.

3.2.2 Harmonic suppression guidelines in Japan

Inverters have a converter section (rectifier circuit) and generate a harmonic current.

Harmonic currents flow from the inverter to a power receiving point via a power transformer. The Harmonic Suppression Guidelines was established to protect other consumers from these outgoing harmonic currents.

The three-phase 200 V input specifications 3.7 kW or lower were previously covered by "the Harmonic Suppression Guidelines for Household Appliances and General-purpose Products" and other models were covered by "the Harmonic Suppression Guidelines for Consumers Who Receive High Voltage or Special High Voltage". However, the transistorized inverter has been excluded from the target products covered by "the Harmonic Suppression Guidelines for Household Appliances and General-purpose Products" in January 2004 and "the Harmonic Suppression Guideline for Household Appliances and General-purpose Products" was repealed on September 6, 2004.

All capacity and all models of general-purpose inverter used by specific consumers are now covered by "the Harmonic Suppression Guidelines for Consumers Who Receive High Voltage or Special High Voltage" (hereinafter referred to as "the Specific Consumer Guidelines").

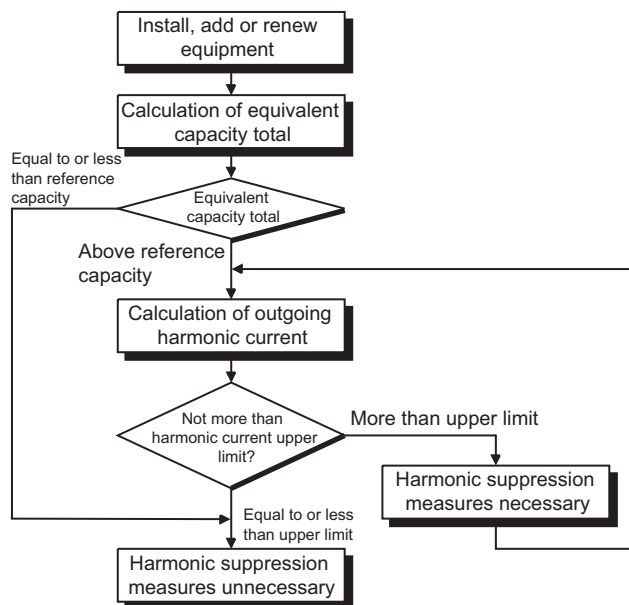
- "Specific Consumer Guidelines"

This guideline sets forth the maximum harmonic currents outgoing from a high-voltage or especially high-voltage receiving consumer who will install, add or renew harmonic generating equipment. If any of the maximum values is exceeded, this guideline requires that consumer to take certain suppression measures.

- Maximum Values of Outgoing Harmonic Currents per 1 kW Contract Power

Received power voltage	5th	7th	11th	13th	17th	19th	23rd	Over 23rd
6.6 kV	3.5	2.5	1.6	1.3	1.0	0.9	0.76	0.70
22 kV	1.8	1.3	0.82	0.69	0.53	0.47	0.39	0.36
33 kV	1.2	0.86	0.55	0.46	0.35	0.32	0.26	0.24

◆ Application of the specific consumer guidelines



- Conversion factors

Classification	Circuit type		Conversion coefficient Ki
3	Three-phase bridge (Capacitor smoothing)	With reactor (DC side)	K33 = 1.8
		With reactors (AC, DC sides)	K34 = 1.4
5	Self-excitation three-phase bridge	When a high power factor converter is used	K5 = 0

- Equivalent Capacity Limits

Received power voltage	Reference capacity
6.6 kV	50 kVA
22/33 kV	300 kVA
66 kV or more	2000 kVA

Power supply harmonics

- Harmonic content (Values of the fundamental current is 100%)

Reactor	5th	7th	11th	13th	17th	19th	23rd	25th
Used (DC side)	30	13	8.4	5.0	4.7	3.2	3.0	2.2
Used (AC, DC sides)	28	9.1	7.2	4.1	3.2	2.4	1.6	1.4

- Calculation of equivalent capacity P0 of harmonic generating equipment

"Equivalent capacity" is the capacity of a 6-pulse converter converted from the capacity of consumer's harmonic generating equipment and is calculated by the following equation: If the sum of equivalent capacities is higher than the limit (Refer to [page 67](#)), harmonics must be calculated with the following procedure:

$$P0 = \sum (Ki \times Pi) \text{ [kVA]}$$

Ki: Conversion coefficient (Refer to [page 67](#))

Pi: Rated capacity of harmonic generating equipment *1[kVA]

i: Number indicating the conversion circuit type

*1 Rated capacity: Determined by the capacity of the applied motor and found in Table 5. The rated capacity used here is used to calculate the generated harmonic amount and is different from the power supply capacity required for actual inverter drive.

- Calculation of outgoing harmonic current

Outgoing harmonic current = fundamental wave current (value converted from received power voltage) × operation ratio × harmonic content

- Operation ratio: Operation ratio = actual load factor × operation time ratio during 30 minutes
- Harmonic content: Refer to [page 68](#).

- Rated capacities and outgoing harmonic currents of inverter-driven motors

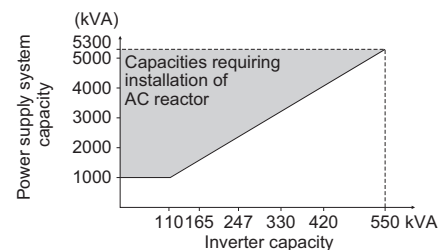
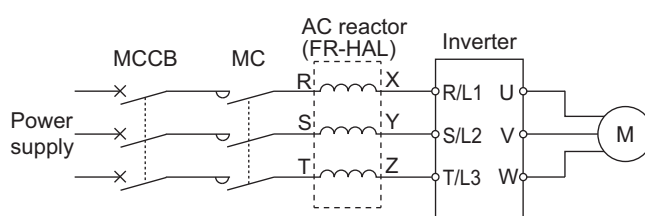
Applicable motor (kW)	Fundamental wave current (A)	Fundamental wave current converted from 6.6 kV (mA)	Rated capacity (kVA)	Outgoing harmonic current converted from 6.6 kV (mA) (With a DC reactor, 100% operation ratio)							
	400 V			5th	7th	11th	13th	17th	19th	23rd	25th
0.4	0.81	49	0.57	14.7	6.37	4.116	2.45	2.303	1.568	1.47	1.078
0.75	1.37	83	0.97	24.9	10.79	6.972	4.15	3.901	2.656	2.49	1.826
1.5	2.75	167	1.95	50.1	21.71	14.03	8.35	7.849	5.344	5.01	3.674
2.2	3.96	240	2.81	72	31.20	20.16	12	11.28	7.68	7.2	5.28
3.7	6.50	394	4.61	118.2	51.22	33.10	19.7	18.52	12.61	11.82	8.67
5.5	9.55	579	6.77	173.7	75.27	48.64	28.95	27.21	18.53	17.37	12.74
7.5	12.8	776	9.07	232.8	100.9	65.18	38.8	36.47	24.83	23.28	17.07
11	18.5	1121	13.1	336.3	145.7	94.16	56.05	52.69	35.87	33.63	24.66
15	24.9	1509	17.6	452.7	196.2	126.8	75.45	70.92	48.29	45.27	33.2
18.5	30.7	1860	21.8	558	241.8	156.2	93	87.42	59.52	55.8	40.92
22	36.6	2220	25.9	666	288.6	186.5	111	104.3	71.04	66.6	48.84
30	49.0	2970	34.7	891	386.1	249.5	148.5	139.6	95.04	89.1	65.34
37	60.4	3660	42.8	1098	475.8	307.4	183	172	117.1	109.8	80.52
45	73.5	4450	52.1	1335	578.5	373.8	222.5	209.2	142.4	133.5	97.9
55	89.9	5450	63.7	1635	708.5	457.8	272.5	256.2	174.4	163.5	119.9
75	123	7455	87.2	2237	969.2	626.2	372.8	350.4	238.6	223.7	164
90	147	8909	104	2673	1158	748.4	445.5	418.7	285.1	267.3	196
110	179	10848	127	3254	1410	911.2	542.5	509.9	347.1	325.4	238.7
132	216	13091	153	3927	1702	1100	654.6	615.3	418.9	392.7	288
160	258	15636	183	4691	2033	1313	781.8	734.9	500.4	469.1	344
220	355	21515	252	6455	2797	1807	1076	1011	688.5	645.5	473.3
250	403	24424	286	7327	3175	2052	1221	1148	781.6	732.7	537.3
280	450	27273	319	8182	3545	2291	1364	1282	872.7	818.2	600
315	506	30667	359	9200	3987	2576	1533	1441	981.3	920	674.7
355	571	34606	405	10382	4499	2907	1730	1627	1107	1038	761.3
400	643	38970	456	11691	5066	3273	1949	1832	1247	1169	857.3
450	723	43818	512	13145	5696	3681	2191	2059	1402	1315	964
500	804	48727	570	14618	6335	4093	2436	2290	1559	1462	1072
560	900	54545	638	16363	7091	4582	2727	2564	1745	1636	1200
630	1013	61394	718	18418	7981	5157	3070	2886	1965	1842	1351

- Determining if a countermeasure is required
A countermeasure for harmonics is required if the following condition is satisfied: outgoing harmonic current > maximum value per 1 kW contract power × contract power
- Harmonic suppression techniques

No.	Item	Description
1	Reactor installation (FR-HAL)	Because a DC reactor is built in on the DC side of this product, outgoing harmonic current can be suppressed. By installing an AC reactor (FR-HAL) on the AC side of the inverter, the outgoing harmonic current suppression performance can be improved.
2	High power factor converter (FR-HC2)	This converter trims the current waveform to be a sine waveform by switching the rectifier circuit (converter module) with transistors. Doing so suppresses the generated harmonic amount significantly. Connect it to the DC area of an inverter. Use the high power factor converter (FR-HC2) with the accessories that come as standard.
3	Installation of power factor improving capacitor	When used with a reactor connected in series, the power factor improving correction capacitor can absorb harmonic currents.
4	Transformer multi-phase operation	Use two transformers with a phase angle difference of 30° as in Λ - Δ and Δ - Δ combinations to provide an effect corresponding to 12 pulses, reducing low-degree harmonic currents.
5	Passive filter (AC filter)	A capacitor and a reactor are used together to reduce impedances at specific frequencies. Harmonic currents are expected to be absorbed greatly by using this technique.
6	Active filter	This filter detects the current in a circuit generating a harmonic current and generates a harmonic current equivalent to a difference between that current and a fundamental wave current to suppress the harmonic current at the detection point. Harmonic currents are expected to be absorbed greatly by using this technique.

3.3 Installation of a reactor

When the inverter is connected near a large-capacity power transformer (1000 kVA or more) or when a power factor correction capacitor is to be switched over, an excessive peak current may flow in the power input circuit, damaging the converter circuit. To prevent this, always install an optional AC reactor (FR-HAL).



3.4 Power-OFF and magnetic contactor (MC)

◆ Inverter input side magnetic contactor (MC)

On the inverter input side, it is recommended to provide an MC for the following purposes:

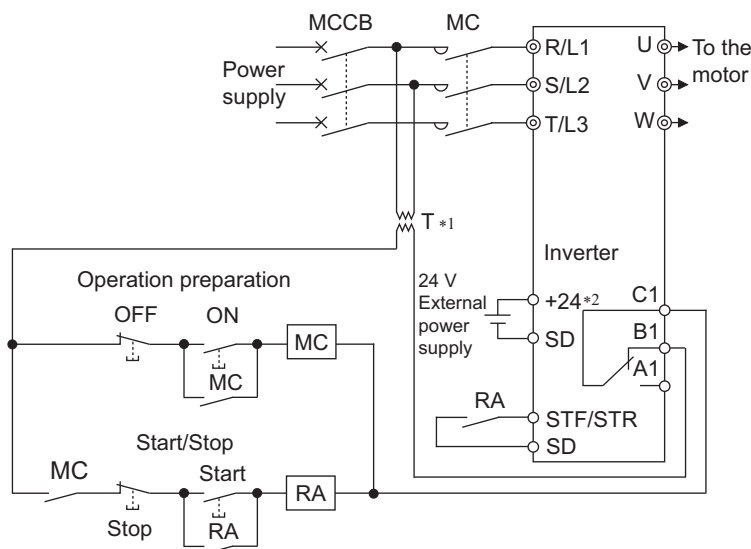
(Refer to [page 14](#) for selection.)

- To disconnect the inverter from the power supply at activation of a protective function or at malfunctioning of the driving system (emergency stop, etc.). For example, an MC prevents overheat or burnout of the brake resistor when heat capacity of the resistor is insufficient or brake regenerative transistor is damaged with short while connecting an optional brake resistor.
- To prevent any accident due to an automatic restart at power restoration after an inverter stop made by a power failure.
- To separate the inverter from the power supply to ensure safe maintenance and inspection work.

If using an MC for emergency stop during motor driving, select an MC regarding the inverter input side current as JEM1038-AC-3 class rated current.

NOTE

- Since repeated inrush currents at power ON will shorten the life of the converter circuit (switching life is about 1,000,000 times), frequent starts and stops of the magnetic contactor must be avoided. Turn ON/OFF the inverter start controlling terminals (STF, STR) to run/stop the inverter.



• Inverter start/stop circuit example

As shown on the left, always use the start signal (ON or OFF of STF(STR) signal) to make a start or stop.

- *1 Install a stepdown transformer.
- *2 To hold an alarm signal when the inverter's protection circuit is activated, input a 24 V external power supply across terminals +24 and SD. (Refer to [page 41](#).)

◆ Handling of the magnetic contactor on the inverter's output side

Switch the magnetic contactor between the inverter and motor only when both the inverter and motor are at a stop. When the magnetic contactor is turned ON while the inverter is operating, overcurrent protection of the inverter and such will activate. When an MC is provided to switch to a commercial power supply, for example, it is recommended to use the commercial power supply-inverter switchover function **Pr.135 to Pr.139** (Refer to the FR-F800 Instruction Manual (Detailed)). (The commercial power supply operation is not available with PM motors.)

◆ Handling of the manual contactor on the inverter's output side

A PM motor is a synchronous motor with high-performance magnets embedded inside. High-voltage is generated at the motor terminals while the motor is running even after the inverter power is turned OFF. In an application where the PM motor is driven by the load even after the inverter is powered OFF, a low-voltage manual contactor must be connected at the inverter's output side.

NOTE

- Before wiring or inspection for a PM motor, confirm that the PM motor is stopped. In an application, such as fan and blower, where the motor is driven by the load, a low-voltage manual contactor must be connected at the inverter's output side, and wiring and inspection must be performed while the contactor is open. Otherwise you may get an electric shock.
- Do not open or close the contactor while the inverter is running (outputting).

3.5 Countermeasures against deterioration of the 400 V class motor insulation

In the PWM type inverter, a surge voltage attributable to wiring constants is generated at the motor terminals. Especially in a 400 V class motor, the surge voltage may deteriorate the insulation. When the 400 V class motor is driven by the inverter, consider the following countermeasures:

◆ Countermeasures for induction motors

It is recommended to take one of the following countermeasures:

◆ Rectifying the motor insulation and limiting the PWM carrier frequency according to the wiring length

For the 400 V class motor, use an insulation-enhanced motor.

Specifically,

- Order a "400 V class inverter-driven insulation-enhanced motor".
- For the dedicated motor such as the constant-torque motor and low-vibration motor, use an "inverter-driven dedicated motor".
- Set **Pr.72 PWM frequency selection** as indicated below according to the wiring length.

	Wiring length		
	50 m or shorter	50 m to 100 m	Longer than 100 m
Pr.72 PWM frequency selection	15 (14.5 kHz) or lower	9 (9 kHz) or lower	4 (4 kHz) or lower

◆ Suppressing the surge voltage on the inverter side

- For the FR-F846-01160(55K) or lower, connect the surge voltage suppression filter (FR-ASF-H/FR-BMF-H) to the output side.
- For the FR-F846-01800(75K) or higher, connect the sine wave filter (MT-BSL/BSC) to the output side.

◆ Countermeasures for PM motors

- When the wiring length exceeds 50 m, set "9" (6 kHz) or less in **Pr.72 PWM frequency selection**.

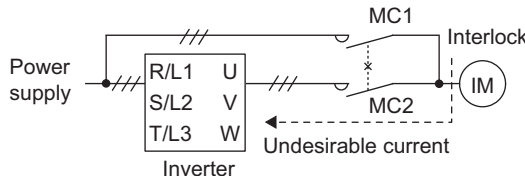
NOTE

- For the details of **Pr.72 PWM frequency selection**, refer to the FR-F800 Instruction Manual (Detailed).
- For the details of the surge voltage suppression filter (FR-ASF-H/FR-BMF-H), refer to the Instruction Manual of each option.
- A surge voltage suppression filter (FR-ASF-H/FR-BMF-H) can be used under V/F control and Advanced magnetic flux vector control.
A sine wave filter (MT-BSL/BSC) can be used under V/F control. Do not use the filters under different control modes.

3.6 Checklist before starting operation

The FR-F800 series inverter is a highly reliable product, but incorrect peripheral circuit making or operation/handling method may shorten the product life or damage the product.

Before starting operation, always recheck the following points.

Checkpoint	Countermeasure	Refer to page	Check by user
Crimping terminals are insulated.	Use crimping terminals with insulation sleeves to wire the power supply and the motor.	-	
The wiring between the power supply (R/L1, S/L2, T/L3) and the motor (U, V, W) is correct.	Application of power to the output terminals (U, V, W) of the inverter will damage the inverter. Never perform such wiring.	25	
No wire offcuts are left from the time of wiring.	Wire offcuts can cause an alarm, failure or malfunction. Always keep the inverter clean. When drilling mounting holes in a wall etc., take caution not to allow chips and other foreign matters to enter the inverter.	-	
The main circuit cable gauge is correctly selected.	Use an appropriate cable gauge to suppress the voltage drop to 2% or less. If the wiring distance is long between the inverter and motor, the voltage drop in the main circuit will cause the motor torque to decrease especially during the output of a low frequency.	29	
The total wiring length is within the specified length.	Keep the total wiring length within the specified length. In long distance wiring, charging currents due to stray capacitance in the wiring may degrade the fast-response current limit operation or cause the equipment on the inverter's output side to malfunction. Pay attention to the total wiring length.	29	
Countermeasures are taken against EMI.	The input/output (main circuit) of the inverter includes high frequency components, which may interfere with the communication devices (such as AM radios) used near the inverter. In such case, activate the EMC filter (turn ON the EMC filter ON/OFF connector) to minimize interference.	64	
On the inverter's output side, there is no power factor correction capacitor, surge suppressor, or radio noise filter installed.	Such installation will cause the inverter to trip or the capacitor and surge suppressor to be damaged. If any of the above devices is connected, immediately remove it.	-	
When performing an inspection or rewiring on the product that has been energized, the operator has waited long enough after shutting off the power supply.	For some time after the power-OFF, a high voltage remains in the smoothing capacitor, and it is dangerous. Before performing an inspection or rewiring, wait 10 minutes or longer after the power supply turns OFF, then confirm that the voltage across the main circuit terminals P/+ and N/- of the inverter is low enough using a tester, etc.	-	
The inverter's output side has no short circuit or ground fault occurring.	A short circuit or ground fault on the inverter's output side may damage the inverter module. Fully check the insulation resistance of the circuit prior to inverter operation since repeated short circuits caused by peripheral circuit inadequacy or a ground fault caused by wiring inadequacy or reduced motor insulation resistance may damage the inverter module. Fully check the to-earth (ground) insulation and phase-to-phase insulation of the inverter's output side before power-ON. Especially for an old motor or use in hostile atmosphere, make sure to check the motor insulation resistance, etc.	-	
The circuit is not configured to use the inverter's input-side magnetic contactor to start/stop the inverter frequently.	Since repeated inrush currents at power ON will shorten the life of the converter circuit, frequent starts and stops of the magnetic contactor must be avoided. Turn ON/OFF the inverter's start signals (STF, STR) to run/stop the inverter.	70	
The voltage applied to the inverter I/O signal circuits is within the specifications.	Application of a voltage higher than the permissible voltage to the inverter I/O signal circuits or opposite polarity may damage the I/O devices. Especially check the wiring to prevent the speed setting potentiometer from being connected incorrectly to short circuit terminals 10E and 5.	32	
When using the electronic bypass operation, electrical and mechanical interlocks are provided between the electronic bypass contactors MC1 and MC2.	<p>When using a switching circuit as shown below, chattering due to mis-configured sequence or arc generated at switching may allow undesirable current to flow in and damage the inverter. Mis-wiring may also damage the inverter. (The commercial power supply operation is not available with PM motors.)</p>  <p>If switching to the commercial power supply operation while a failure such as an output short circuit has occurred between the magnetic contactor MC2 and the motor, the damage may further spread. If a failure has occurred between the MC2 and the motor, a protection circuit such as using the OH signal input must be provided.</p>	-	

Checkpoint	Countermeasure	Refer to page	Check by user
A countermeasure is provided for power restoration after a power failure.	If the machine must not be restarted when power is restored after a power failure, provide an MC in the inverter's input side and also make up a sequence which will not switch ON the start signal. If the start signal (start switch) remains ON after a power failure, the inverter will automatically restart as soon as the power is restored.	-	
A magnetic contactor (MC) is installed on the inverter's input side.	On the inverter's input side, connect an MC for the following purposes: <ul style="list-style-type: none"> • To disconnect the inverter from the power supply at activation of a protective function or at malfunctioning of the driving system (emergency stop, etc.). • To prevent any accident due to an automatic restart at power restoration after an inverter stop made by a power failure. • To separate the inverter from the power supply to ensure safe maintenance and inspection work. If using an MC for emergency stop during motor driving, select an MC regarding the inverter input side current as JEM1038-AC-3 class rated current.	70	
The magnetic contactor on the inverter's output side is properly handled.	Switch the magnetic contactor between the inverter and motor only when both the inverter and motor are at a stop.	70	
When using a PM motor, a low-voltage manual contactor is installed on the inverter's output side.	When a failure occurs between the MC2 and motor, make sure to provide a protection circuit, such as using the OH signal input. In an application, such as fan and blower, where the motor is driven by the load, a low-voltage manual contactor must be connected at the inverter's output side, and wiring and inspection must be performed while the contactor is open. Otherwise you may get an electric shock.	70	
An EMI countermeasure is provided for the frequency setting signals.	If electromagnetic noise generated from the inverter causes frequency setting signal to fluctuate and the motor rotation speed to be unstable when changing the motor speed with analog signals, the following countermeasures are effective: <ul style="list-style-type: none"> • Do not run the signal cables and power cables (inverter I/O cables) in parallel with each other and do not bundle them. • Run signal cables as far away as possible from power cables (inverter I/O cables). • Use shielded cables. • Install a ferrite core on the signal cable (Example: ZCAT3035-1330 by TDK). 	62	
A countermeasure is provided for an overload operation.	When performing frequent starts/stops by the inverter, rise/fall in the temperature of the transistor element of the inverter will repeat due to a repeated flow of large current, shortening the life from thermal fatigue. Since thermal fatigue is related to the amount of current, the life can be increased by reducing current at locked condition, starting current, etc. Reducing current may extend the service life but may also cause torque shortage, which leads to a start failure. Adding a margin to the current can eliminate such a condition. For an induction motor, use an inverter of a higher capacity (up to two ranks). For a PM motor, use an inverter and PM motor of higher capacities.	-	
The specifications and rating match the system requirements.	Make sure that the specifications and rating match the system requirements.	112	
Countermeasures are taken against electrical corrosion on the motor bearing.	When a motor is driven by the inverter, axial voltage is generated on the motor bearing, which may cause electrical corrosion of the bearing in rare cases depending on: condition of the grease used for the bearing, wiring, load, operating conditions of the motor, or specific inverter settings (high carrier frequency, built-in EMC filter ON). Contact your sales representative to take appropriate countermeasures for the motor. The following shows examples of countermeasures for the inverter. <ul style="list-style-type: none"> • Decrease the carrier frequency. • Turn OFF the built-in EMC filter. • Provide a common mode choke *1 on the output side of the inverter. (This is effective regardless of the EMC filter ON/OFF connector setting.) <p style="text-align: center;">*1 Recommended common mode choke: FT-3KM F series FINEMET® common mode choke cores manufactured by Hitachi Metals, Ltd.</p> <ul style="list-style-type: none"> • FINEMET is a registered trademark of Hitachi Metals, Ltd. 	-	

3.7 Failsafe system which uses the inverter

When a fault is detected by the protective function, the protective function activates and outputs a fault signal. However, a fault signal may not be output at an inverter's fault occurrence when the detection circuit or output circuit fails, etc. Although Mitsubishi assures the best quality products, provide an interlock which uses inverter status output signals to prevent accidents such as damage to the machine when the inverter fails for some reason. Also at the same time consider the system configuration where a failsafe from outside the inverter, without using the inverter, is enabled even if the inverter fails.

◆ Interlock method which uses the inverter status output signals

By combining the inverter output signals to provide an interlock as shown below, an inverter failure can be detected.

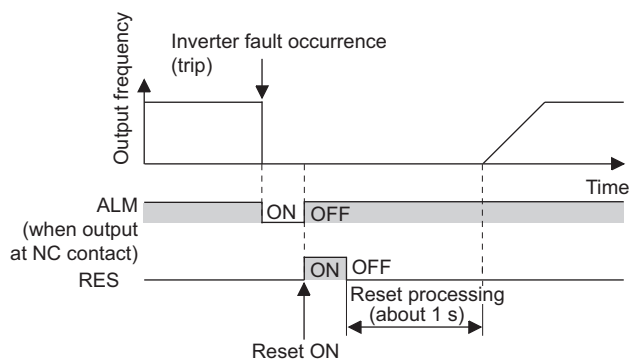
No.	Interlock method	Check method	Used signals
a	Inverter protective function operation	Operation check of an alarm contact. Circuit error detection by negative logic.	Fault (ALM) signal
b	Inverter operating status	Operation ready signal check.	Operation ready (RY) signal
c	Inverter running status	Logic check of the start signal and running signal.	Start signal (STF signal, STR signal) Inverter running (RUN) signal
d	Inverter running status	Logic check of the start signal and output current.	Start signal (STF signal, STR signal) Output current detection (Y12) signal

(a) Checking by the output of the inverter fault signal

When the inverter's protective function activates and the inverter trips, the Fault (ALM) signal is output. (The ALM signal is assigned to terminal A1B1C1 in the initial setting).

With this signal, check that the inverter operates properly.

In addition, negative logic can be set. (ON when the inverter is normal, OFF when the fault occurs.)



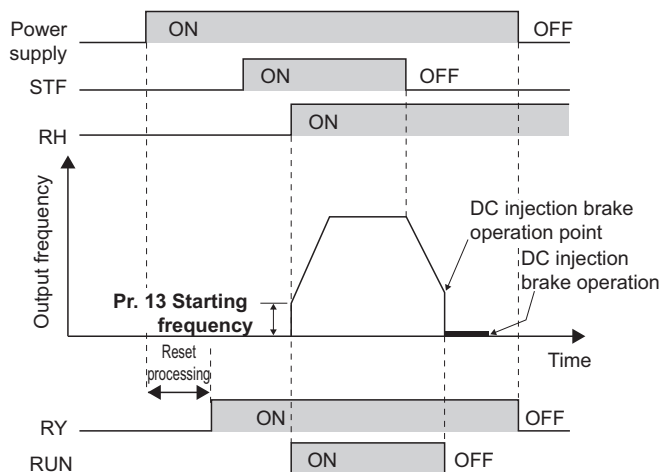
(b) Checking the inverter operating status by the inverter operation ready completion signal

The Operation ready (RY) signal is output when the inverter power is ON and the inverter becomes operative. Check if the RY signal is output after powering ON the inverter.

(c) Checking the inverter operating status by the start signal input to the inverter and inverter running signal

The Inverter running (RUN) signal is output when the inverter is running. (The RUN signal is assigned to terminal RUN in the initial setting.)

Check if RUN signal is being output while inputting a start signal to the inverter. (The STF signal is a forward rotation signal, and STR is a reverse rotation signal.) Even after the start signal is turned OFF, the RUN signal is kept output until the inverter makes the motor to decelerate and to stop. For the logic check, configure a sequence considering the inverter's deceleration time.



(d) Checking the motor operating status by the start signal input to the inverter and inverter output current detection signal
 The Output current detection (Y12) signal is output when the inverter operates and currents flows into the motor.
 Check if the Y12 signal is being output while inputting a start signal to the inverter. (The STF signal is a forward rotation signal, and STR is a reverse rotation signal.) The Y12 signal is initially set to be output at 120% (FM type) / 110% (CA type) inverter rated current. Adjust the level to around 20% using no load current of the motor as reference with **Pr.150 Output current detection level**.

Like the Inverter running (RUN) signal, even after the start signal is turned OFF, the Y12 signal is kept output until the inverter stops the output to a decelerating motor. For the logic check, configure a sequence considering the inverter's deceleration time.

Output signal	Pr.190 to Pr.196 setting	
	Positive logic	Negative logic
ALM	99	199
RY	11	111
RUN	0	100
Y12	12	112

- When using various signals, assign the functions to **Pr.190 and Pr.196 (output terminal function selection)** referring to the table on the left.

NOTE

- Changing the terminal assignment using **Pr.190 to Pr.196 (output terminal function selection)** may affect the other functions. Set parameters after confirming the function of each terminal.
- For the details of the parameters and signals, refer to the FR-F800 Instruction Manual (Detailed).

◆ Backup method outside the inverter

Even if the interlock is provided by the inverter status signal, enough failsafe is not ensured depending on the failure status of the inverter itself. For example, if an inverter CPU fails in a system interlocked with the inverter's fault, start, and RUN signals, no fault signal will be output and the RUN signal will be kept ON because the inverter CPU is down.

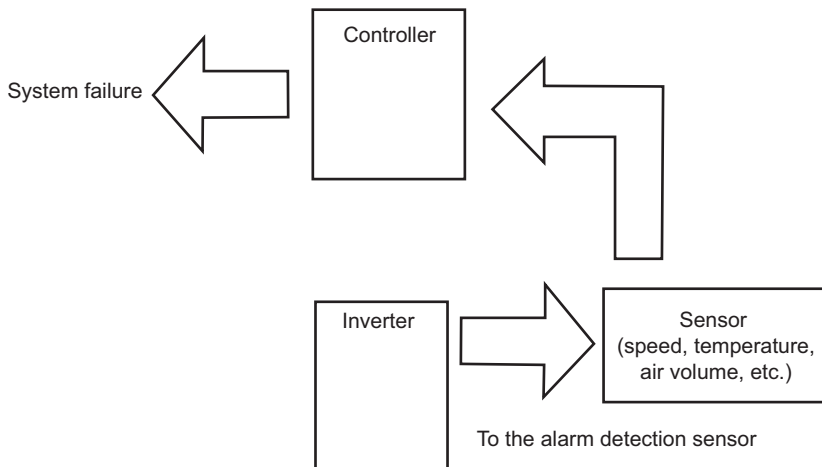
Provide a speed detector to detect the motor speed and current detector to detect the motor current and consider the backup system such as performing a check as below according to the level of importance of the system.

(a) Start signal and actual operation check

Check the motor running and motor current while the start signal is input to the inverter by comparing the start signal to the inverter and detected speed of the speed detector or detected current of the current detector. Note that the current is flowing through the motor while the motor coasts to stop, even after the inverter's start signal is turned OFF. For the logic check, configure a sequence considering the inverter's deceleration time. In addition, it is recommended to check the three-phase current when using the current detector.

(b) Command speed and actual operation check

Check for a gap between the actual speed and commanded speed by comparing the inverter's speed command and the speed detected by the speed detector.



MEMO

4 PROTECTIVE FUNCTIONS

This chapter explains the "PROTECTIVE FUNCTIONS" that operates in this product.

Always read the instructions before using the equipment.

4.1	Inverter fault and alarm indications	78
4.2	Reset method for the protective functions.....	78
4.3	Faults history and the list of fault displays	79
4.4	Causes and corrective actions	80

4.1 Inverter fault and alarm indications

- When the inverter detects a fault, depending on the nature of the fault, the operation panel displays an error message or warning, or a protective function activates to trip the inverter.
- When any fault occurs, take an appropriate corrective action, then reset the inverter, and resume the operation. Restarting the operation without a reset may break or damage the inverter.
- When a protective function activates, note the following points.

Item	Description
Fault output signal	Opening the magnetic contactor (MC) provided on the input side of the inverter at a fault occurrence shuts off the control power to the inverter, therefore, the fault output will not be retained.
Fault or alarm indication	When a protective function activates, the operation panel displays a fault indication.
Operation restart method	While a protective function is activated, the inverter output is kept shutoff. Reset the inverter to restart the operation.

- Inverter fault or alarm indications are categorized as below.

Displayed item	Description
Error message	A message regarding an operational fault and setting fault by the operation panel and the parameter unit. The inverter does not trip.
Warning	The inverter does not trip even when a warning. However, failure to take appropriate measures will lead to a fault.
Alarm	The inverter does not trip. An Alarm (LF) signal can be output with a parameter setting.
Fault	A protective function activates to trip the inverter and output a Fault (ALM) signal.


NOTE

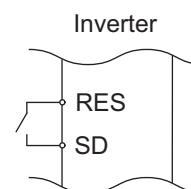
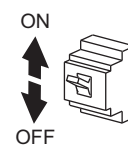
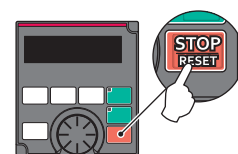
- For the details of fault displays and other malfunctions, also refer to the FR-F800 Instruction Manual (Detailed).
- The past eight faults can be displayed using the setting dial. (Refer to [page 46](#))

4.2 Reset method for the protective functions

Reset the inverter by performing any of the following operations. Note that the accumulated heat value of the electronic thermal relay function and the number of retries are cleared (erased) by resetting the inverter.

The inverter recovers about 1 s after the reset is released.

- On the operation panel, press  to reset the inverter. (This may only be performed when a fault occurs.)
- Switch the power OFF once, then switch it ON again.
- Turn ON the Reset (RES) signal for 0.1 s or more. (If the RES signal is kept ON, "Err" appears (blinks) to indicate that the inverter is in a reset status.)



NOTE

- OFF status of the start signal must be confirmed before resetting the inverter fault. Resetting an inverter fault with the start signal ON restarts the motor suddenly.

4.3 Faults history and the list of fault displays

For details, refer to the FR-A800 Instruction Manual (Detailed).

Operation panel indication		Name	
Error message	HOLD	HOLD	Operation panel lock
	LOCd	LOCd	Password locked
	Er 1 to Er 4 Er 8	Er1 to Er4 Er8	Parameter write error
	rE 1 to rE 4 rE 6 to rE 8	rE1 to rE4 rE6 to rE8	Copy operation error
	Err.	Err.	Error
	Warning	OL	OL
oL		oL	Stall prevention (overvoltage)
TH		TH	Electronic thermal relay function pre-alarm
PS		PS	PU stop
MF 1 to MF 3		MT1 to MT3	Maintenance signal output
CF		CF	Continuous operation during communication fault
SA		SA	Safety stop
UF		UF	USB host error
Ed		ED	Emergency drive in operation
LdF		LDF	Load fault warning
EHR		EHR	Ethernet communication fault
Alarm		FN	FN
	FN2	FN2	Internal-circulation fan alarm
Fault	E. OC 1	E.OC1	Overcurrent trip during acceleration
	E. OC 2	E.OC2	Overcurrent trip during constant speed
	E. OC 3	E.OC3	Overcurrent trip during deceleration or stop
	E. OV 1	E.OV1	Regenerative overvoltage trip during acceleration
	E. OV 2	E.OV2	Regenerative overvoltage trip during constant speed
	E. OV 3	E.OV3	Regenerative overvoltage trip during deceleration or stop
	E. THF	E.THT	Inverter overload trip (electronic thermal relay function)
	E. THM	E.THM	Motor overload trip (electronic thermal relay function)
	E. FIN	E.FIN	Heatsink overheat
	E. IPF	E.IPF	Instantaneous power failure
	E. UVF	E.UVT	Undervoltage
	E. ILF	E.ILF	Input phase loss
	E. OLT	E.OLT	Stall prevention stop
	E. GF	E.GF	Output side earth (ground) fault overcurrent
	E. SOT	E. SOT	Loss of synchronism detection
	E. LUP	E.LUP	Upper limit fault detection

Operation panel indication		Name	
Fault	E. LDN	E.LDN	Lower limit fault detection
	E. LF	E.LF	Output phase loss
	E. OHT	E.OHT	External thermal relay operation
	E. PTC	E.PTC	PTC thermistor operation
	E. OPT	E.OPT	Option fault
	E. OP 1	E.OP1	Communication option fault
	E. 1 to E. 3	E. 1 to E. 3	Option fault
	E. PE	E.PE	Parameter storage device fault
	E. PUE	E.PUE	PU disconnection
	E. RET	E.RET	Retry count excess
	E. PE 2	E.PE2	Parameter storage device fault
	E. 5 to E. 7 E. CPU	E. 5 to E. 7 E.CPU	CPU fault
	E. CTE	E.CTE	Operation panel power supply short circuit
	E. P24	E.P24	24 VDC power fault
	E. CDO	E.CDO	Abnormal output current detection
	E. IOH	E.IOH	Inrush current limit circuit fault
	E. AIE	E.AIE	Analog input fault
	E. OS	E.OS	Overspeed occurrence
	E. BE	E.BE	Brake transistor alarm detection
	E. USB	E.USB	USB communication fault
Others	E. 13 E. PBT	E.13 E.PBT	Internal circuit fault
	E. SAF	E.SAF	Safety circuit fault
	E. IAH	E.IAH	Abnormal internal temperature
	E. LCI	E.LCI	4 mA input fault
	E. PCH	E.PCH	Pre-charge fault
	E. PID	E.PID	PID signal fault
	E. EHR	E.EHR	Ethernet communication fault
	E. 16 to E. 20	E.16 to E.20	User definition error by the PLC function
	E----	E----	Faults history
	EV	EV	24 V external power supply operation
RD	RD	Backup in progress	
WR	WR	Restoration in progress	

If faults other than the above appear, contact your sales representative.

4.4 Causes and corrective actions

◆ Alarm

Operation panel indication	FN2	<i>FN2</i>	FR-LU08	FN2
Name	Internal-circulation fan alarm			
Description	FN2 appears on the operation panel when the internal air circulation fan stops due to a fault or low rotation speed.			
Check point	Check the internal air circulation fan for a failure.			
Corrective action	The fan may be faulty. Please contact your sales representative.			

◆ Fault

Operation panel indication	E.IAH	<i>E. IAH</i>	FR-LU08	Abnormal Intnl Temp
Name	Abnormal internal temperature			
Description	The inverter trips when the inverter internal temperature reaches the specified value or higher.			
Check point	<ul style="list-style-type: none"> • Check for too high surrounding air temperature. • Check if the internal air circulation fan or the cooling fan stops due to a fault. 			
Corrective action	<ul style="list-style-type: none"> • Install an inverter suitable for the installation environment. (Refer to page 18.) • Replace the internal air circulation fan or the cooling fan. 			

5 PRECAUTIONS FOR MAINTENANCE AND INSPECTION

This chapter explains the "PRECAUTIONS FOR MAINTENANCE AND INSPECTION" for this product.

Always read the instructions before using the equipment.

5.1	Inspection item.....	82
5.2	Measurement of main circuit voltages, currents, and powers .	106

Inspection item

The inverter is a static unit mainly consisting of semiconductor devices. Daily inspection must be performed to prevent any fault from occurring due to the adverse effects of the operating environment, such as temperature, humidity, dust, dirt and vibration, changes in the parts with time, service life, and other factors.

●Precautions for maintenance and inspection

When accessing the inverter for inspection, wait for at least 10 minutes after the power supply has been switched OFF, and then make sure that the voltage across the main circuit terminals P/+ and N/- of the inverter is not more than 30 VDC using a tester, etc.

5.1 Inspection item

5.1.1 Daily inspection

Basically, check for the following faults during operation.

- Motor operation fault
- Improper installation environment
- Cooling system fault
- Abnormal vibration, abnormal noise
- Abnormal overheat, discoloration

5.1.2 Periodic inspection

Check the areas inaccessible during operation and requiring periodic inspection.

Consult us for periodic inspection.

- Check and clean the cooling system Clean the air filter, etc.
- Check the tightening and retighten The screws and bolts may become loose due to vibration, temperature changes, etc. Check and tighten them.
Tighten them according to the specified tightening torque. (Refer to [page 29.](#))
- Check the conductors and insulating materials for corrosion and damage
- Measure the insulation resistance
- Check and change the cooling fan, internal fan and relay
- Check for condensation A sudden temperature change may cause water droplets (condensation) to form inside the inverter. Using the inverter with condensation inside may cause a failure.
- Check for ingress of water or dust If the waterproof or dustproof performance is impaired, water or dust may get into the inverter. Using the inverter with water or dust remaining inside may cause a failure.
- Inspection and replacement of the gasket Changes such as in temperature may cause aging degradation of the gasket rubber material, which may impair the waterproof and dustproof performances.

NOTE

- When using the safety stop function, periodic inspection is required to confirm that safety function of the safety system operates correctly.
For more details, refer to the Safety stop function instruction manual.

5.1.3 Daily and periodic inspection

Area of inspection	Inspection item	Description	Inspection interval		Corrective action at fault occurrence	Check by the user	
			Daily	Periodic *3			
General	Surrounding environment	Check the ambient temperature, humidity, dirt, corrosive gas, oil mist, etc.	○		Improve the environment.		
	Overall unit	Check for unusual vibration and noise.	○		Check fault location and retighten.		
		Check for dirt, oil, and other foreign material. *1	○		Clean.		
	Power supply voltage	Check that the main circuit voltages and control voltages are normal. *2	○		Inspect the power supply.		
Main circuit	General	(1) Check with megger (across main circuit terminals and earth (ground) terminal).		○	Contact the manufacturer.		
		(2) Check for loose screws and bolts.		○	Retighten.		
		(3) Check for overheat traces on the parts.		○	Contact the manufacturer.		
		(4) Check for stain.		○	Clean.		
	Conductors, cables	(1) Check conductors for distortion.		○	Contact the manufacturer.		
		(2) Check cable sheaths for breakage and deterioration (crack, discoloration, etc.).		○	Contact the manufacturer.		
	Transformer/reactor	Check for unusual odor and abnormal increase of whining sound.	○		Stop the equipment and contact the manufacturer.		
	Terminal block	Check for a damage.		○	Stop the equipment and contact the manufacturer.		
Smoothing aluminum electrolytic capacitor	(1) Check for liquid leakage.		○	Contact the manufacturer.			
	(2) Check for safety valve projection and bulge.		○	Contact the manufacturer.			
Relay/contactor	(3) Visual check and judge by the life check of the main circuit capacitor. (Refer to page 86.)		○	Contact the manufacturer.			
Relay/contactor	Check that the operation is normal and no chattering sound is heard.		○	Contact the manufacturer.			
Resistor	(1) Check for crack in resistor insulation.		○	Contact the manufacturer.			
	(2) Check for a break in the cable.		○	Contact the manufacturer.			
Control circuit, protective circuit	Operation check	(1) Check that the output voltages across phases are balanced while operating the inverter alone.		○	Contact the manufacturer.		
		(2) Check that no fault is found in protective and display circuits in a sequence protective operation test.		○	Contact the manufacturer.		
	Components check	Overall	(1) Check for unusual odor and discoloration.		○	Stop the equipment and contact the manufacturer.	
			(2) Check for serious rust development.		○	Contact the manufacturer.	
	Aluminum electrolytic capacitor	(1) Check for liquid leakage in a capacitor and deformation trace.		○	Contact the manufacturer.		
		(2) Visual check and judge by the life check of the control circuit capacitor. (Refer to page 86.)		○	Contact the manufacturer.		
Cooling system	Cooling fan Internal fan	(1) Check for unusual vibration and noise.	○		Replace the fan.		
		(2) Check for loose screws and bolts.		○	Check fault location and retighten.		
		(3) Check for stain.		○	Clean.		
	Heatsink	(1) Check for clogging.		○	Clean.		
		(2) Check for stain.		○	Clean.		

Inspection item

Area of inspection	Inspection item	Description	Inspection interval		Corrective action at fault occurrence	Check by the user
			Daily	Periodic *3		
Display	Indication	(1) Check that display is normal. (2) Check for stain.	○	○	Contact the manufacturer. Clean.	
	Meter	Check that reading is normal.	○		Stop the equipment and contact the manufacturer.	
Load motor	Operation check	Check for vibration and abnormal increase in operation noise.	○		Stop the equipment and contact the manufacturer.	
Waterproof performance, dustproof performance	Operation panel	(1) Check that it is installed. (2) Check for deformation or fracture. (3) Check for loose fixing screws.	○	○ ○	Install it securely. (Refer to page 48) Stop the equipment and contact the manufacturer. Retighten.	
	Front cover and wiring cover	(1) Check that it is installed. (2) Check for deformation or fracture. (3) Check for loose fixing screws.	○	○ ○	Install it securely. (Refer to page 15, 26) Stop the equipment and contact the manufacturer. Retighten.	
	Gasket	(1) Check for stain. (2) Check for damage. (3) Check for degradation (crack, discoloration, or deformation).		○ ○ ○	Clean. Stop the equipment and contact the manufacturer. Stop the equipment and contact the manufacturer.	
	Inside the inverter	(1) Check for condensation. (2) Check for ingress of water or dust.		○ ○	Wipe off the condensation. Stop the equipment and contact the manufacturer.	

*1 Oil component of the heat dissipation grease used inside the inverter may leak out. The oil component, however, is not flammable, corrosive, nor conductive and is not harmful to humans. Wipe off such oil component.

*2 It is recommended to install a voltage monitoring device for checking the voltage of the power supplied to the inverter.

*3 One to two years of periodic inspection cycle is recommended. However, it differs according to the installation environment. Consult us for periodic inspection.

NOTE

- Continuous use of a leaked, deformed, or degraded smoothing aluminum electrolytic capacitor (as shown in the table above) may lead to a burst, breakage or fire. Replace such a capacitor without delay.

5.1.4 Checking the inverter and converter modules

◆Preparation

- Disconnect the external power supply cables (R/L1, S/L2, T/L3) and motor cables (U, V, W).
- Prepare a tester. (For the resistance measurement, use the 100 Ω range.)

◆Checking method

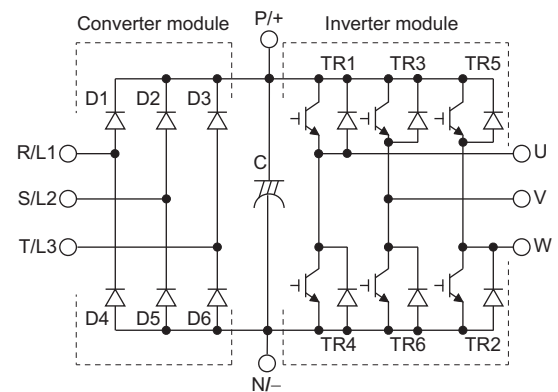
Change the polarity of the tester alternately at the inverter terminals R/L1, S/L2, T/L3, U, V, W, P/+, and N/- and check the electric continuity.

NOTE

- Before measurement, check that the smoothing capacitor is discharged.
- At the time of electric discontinuity, the measured value is almost ∞. When there is an instantaneous electric continuity, due to the smoothing capacitor, the tester may not indicate ∞. At the time of electric continuity, the measured value is several Ω to several tens of Ω. If all measured values are almost the same, although these values are not constant depending on the module type and tester type, the modules are without fault.

◆Module device numbers and terminals to be checked

		Tester polarity		Result			Tester polarity		Result
		⊕	⊖				⊕	⊖	
Converter module	D1	R/L1	P/+	Discontinuity	D4	R/L1	N/-	Continuity	
		P/+	R/L1	Continuity		N/-	R/L1	Discontinuity	
	D2	S/L2	P/+	Discontinuity	D5	S/L2	N/-	Continuity	
		P/+	S/L2	Continuity		N/-	S/L2	Discontinuity	
	D3	T/L3	P/+	Discontinuity	D6	T/L3	N/-	Continuity	
		P/+	T/L3	Continuity		N/-	T/L3	Discontinuity	
Inverter module	TR1	U	P/+	Discontinuity	TR4	U	N/-	Continuity	
		P/+	U	Continuity		N/-	U	Discontinuity	
	TR3	V	P/+	Discontinuity	TR6	V	N/-	Continuity	
		P/+	V	Continuity		N/-	V	Discontinuity	
	TR5	W	P/+	Discontinuity	TR2	W	N/-	Continuity	
		P/+	W	Continuity		N/-	W	Discontinuity	



(Assumes the use of an analog meter.)

5.1.5 Cleaning

Always run the inverter in a clean status.

When cleaning the inverter, gently wipe dirty areas with a soft cloth immersed in neutral detergent or ethanol.

NOTE

- Do not use solvent, such as acetone, benzene, toluene and alcohol, as these will cause the inverter surface paint to peel off.
- The display, etc. of the operation panel is vulnerable to detergent and alcohol. Therefore, avoid using them for cleaning.

5.1.6 Replacement of parts

The inverter consists of many electronic parts such as semiconductor devices.

The following parts may deteriorate with age because of their structures or physical characteristics, leading to reduced performance or fault of the inverter. For preventive maintenance, the parts must be replaced periodically.

Use the life check function as a guidance of parts replacement.

Part name	Estimated lifespan*1	Description
Cooling fan, internal fan	10 years	Replace (as required)
Main circuit smoothing capacitor	10 years*2	Replace (as required)
On-board smoothing capacitor	10 years*2	Replace the board (as required)
Relays	—	As required
Gasket	2 years*3	Replace (as required)

*1 Estimated lifespan for when the yearly average ambient temperature is 35°C. (without corrosive gas, flammable gas, oil mist, dust and dirt etc.)

*2 Output current: 80% of the inverter rating

*3 The estimated lifespan is only a guide. To maintain the waterproof and dustproof performances of the inverter, daily and periodic inspections are recommended.

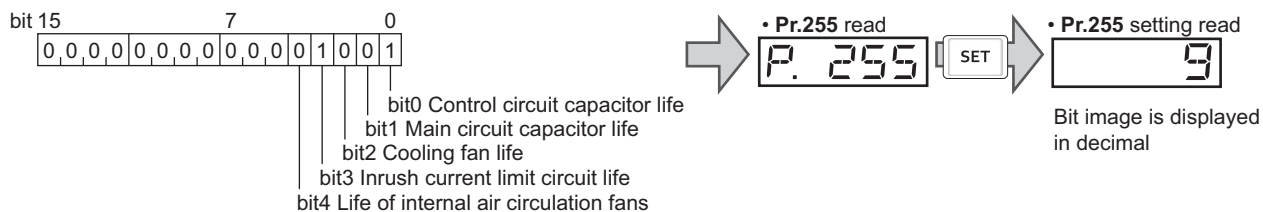
NOTE

- For parts replacement, contact the nearest Mitsubishi FA center.

◆ Displaying the life of the inverter parts

Pr.	Name	Initial value	Setting range	Description
255 E700	Life alarm status display	0	(0 to 31)	Displays whether or not the parts of the control circuit capacitor, main circuit capacitor, cooling fan, and inrush current limit circuit have reached the life alarm output level. Read-only.

Whether or not the parts of the control circuit capacitor, main circuit capacitor, cooling fan, inrush current limit circuit or internal air circulation fans have reached the life alarm output level can be checked with **Pr.255 Life alarm status display** and the life alarm signal (Y90).



The self-diagnostic warning is output when the life span of each part is near its end. It gives an indication of replacement time.

The life warning output can be used as a guideline for life judgment.

Parts	Judgment level
Main circuit capacitor	85% of the initial capacity
Control circuit capacitor	Estimated remaining life 10%
Inrush current limit circuit	Estimated remaining life 10% (Power ON: 100,000 times left)
Cooling fan, internal air circulation fan	Less than 70% of the specified speed.

NOTE

- Refer to the FR-F800 Instruction Manual (Detailed) to perform the life check of the inverter parts.

◆ **Life display of internal air circulation fans**

- IP55 compatible models are equipped with the internal air circulation fan inside the inverter other than the cooling fan.

The internal fan fault "F~~N2~~"(FN2) appears on the operation panel (FR-DU08) when the rotations per minute is less than 70% of the rated value for the internal air circulation fan. (FN is displayed on the parameter unit (FR-PU07).)

As an alarm display, Pr.255 bit 4 is turned ON and also a warning is output to the Y90 signal and Alarm (LF) signal.

- For the terminal used for the LF signal, set "98 (positive logic) or 198" (negative logic) in any of **Pr.190 to Pr.196 (Output terminal function selection)**.

NOTE

- Changing the terminal assignment using **Pr.190 to Pr.196 (Output terminal function selection)** may affect the other functions. Set parameters after confirming the function of each terminal.
- For replacement of each part, contact the nearest Mitsubishi FA center.

◆ **Replacement procedure of the fan**

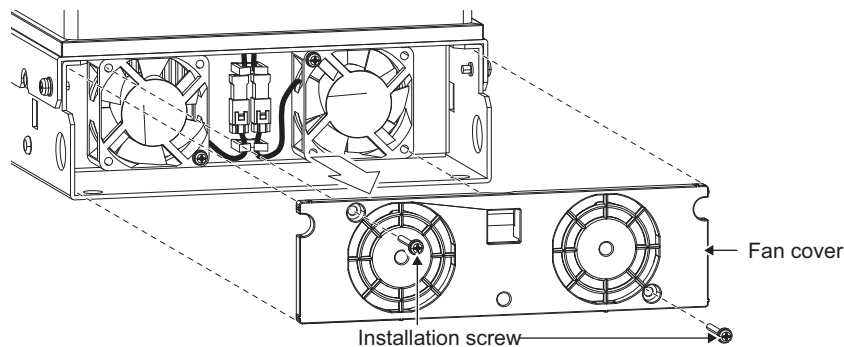
The replacement interval of the cooling fan used for cooling the parts generating heat such as the main circuit semiconductor is greatly affected by the ambient temperature. When unusual noise and/or vibration are noticed during inspection, the cooling fan must be replaced immediately.

NOTE

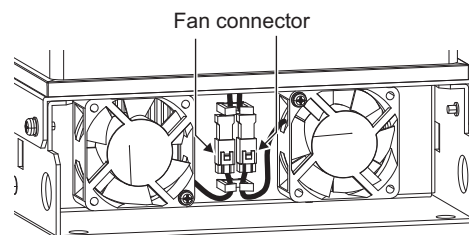
- Switch the power OFF before replacing fans. Even after the power supply is shut off, the inverter is charged and can cause an electric shock. Before replacing the fan, make sure to check that the voltage across inverter main circuit terminals P/+ and N/- has been dropped enough using a tester after 10 minutes or more after the power supply shutoff.

◆ **Removal of the cooling fan (FR-F846-00250(11K) to 00470(22K))**

- (1) Remove the installation screws, and then remove the fan cover.

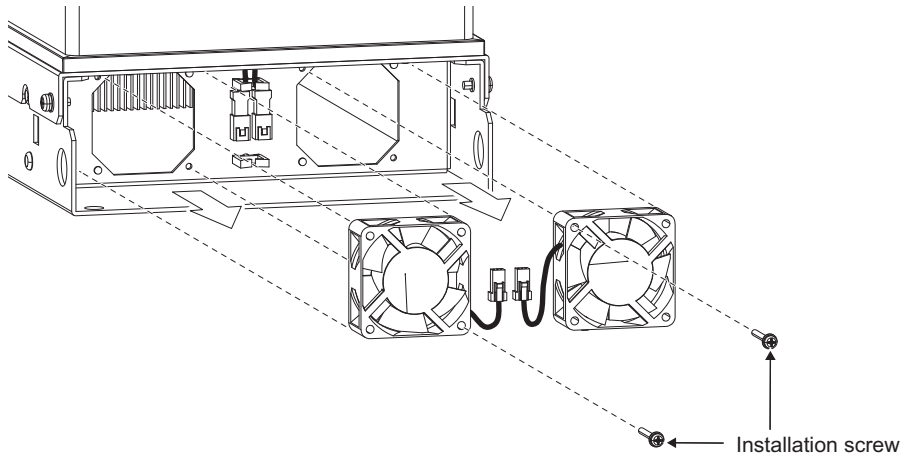


- (2) Disconnect the fan connectors.



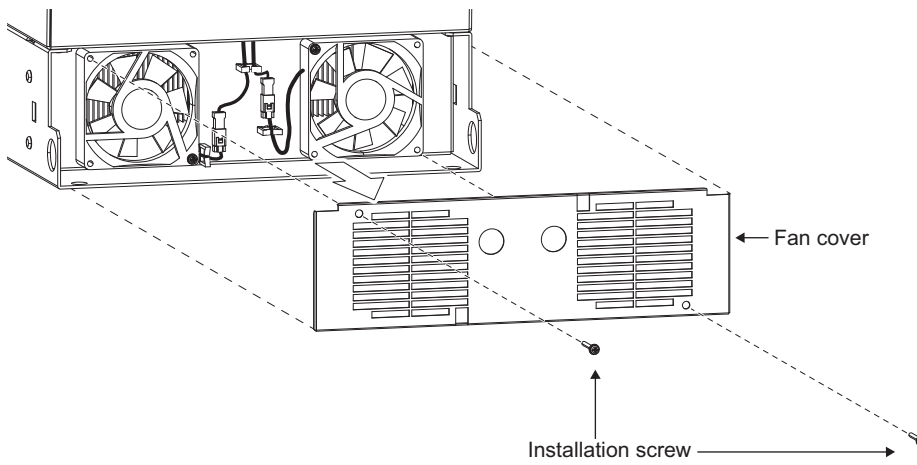
Inspection item

- (3) Remove the installation screws, and then remove the fan.

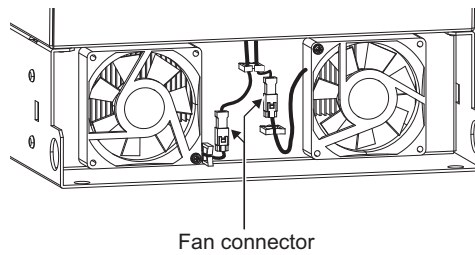


◆ Removal of the cooling fan (FR-F846-00620(30K) to 01160(55K))

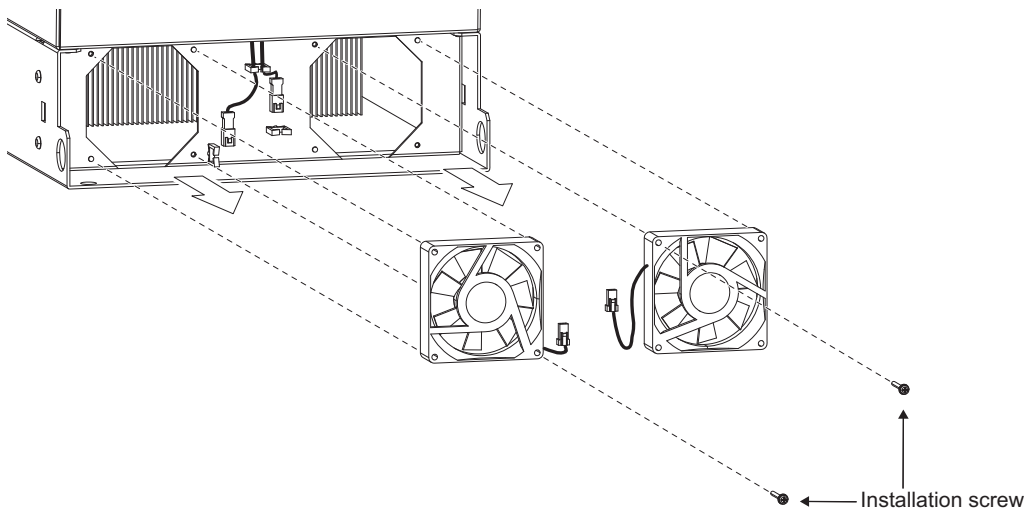
- (1) Remove the installation screws, and then remove the fan cover.



- (2) Disconnect the fan connectors.

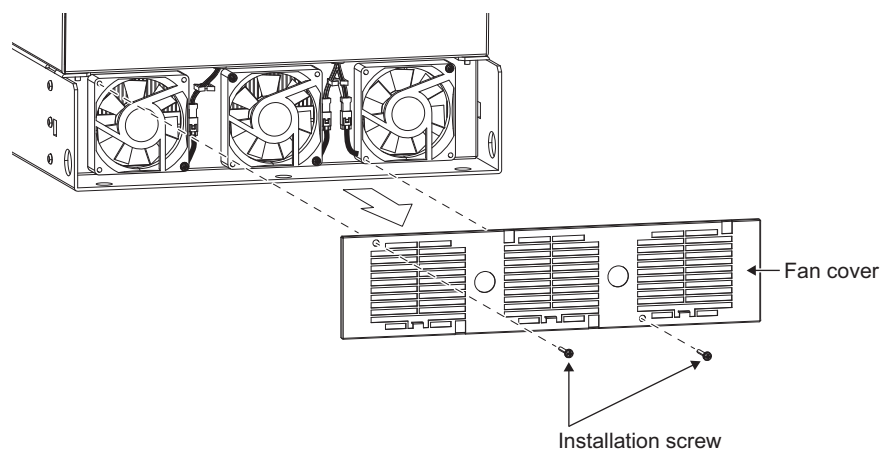


- (3) Remove the installation screws, and then remove the fan.

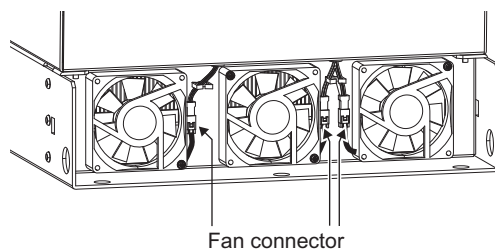


◆ Removal of the cooling fan (FR-F846-01800(75K) to 03610(160K))

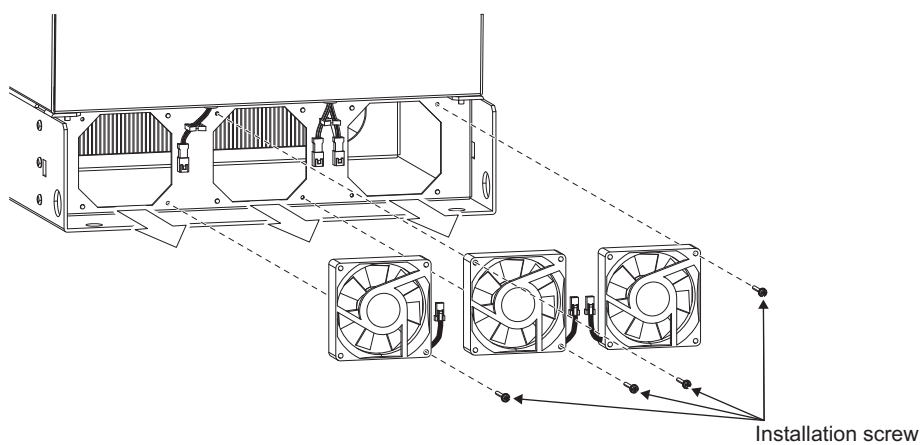
- (1) Remove the installation screws, and then remove the fan cover.



- (2) Disconnect the fan connectors.

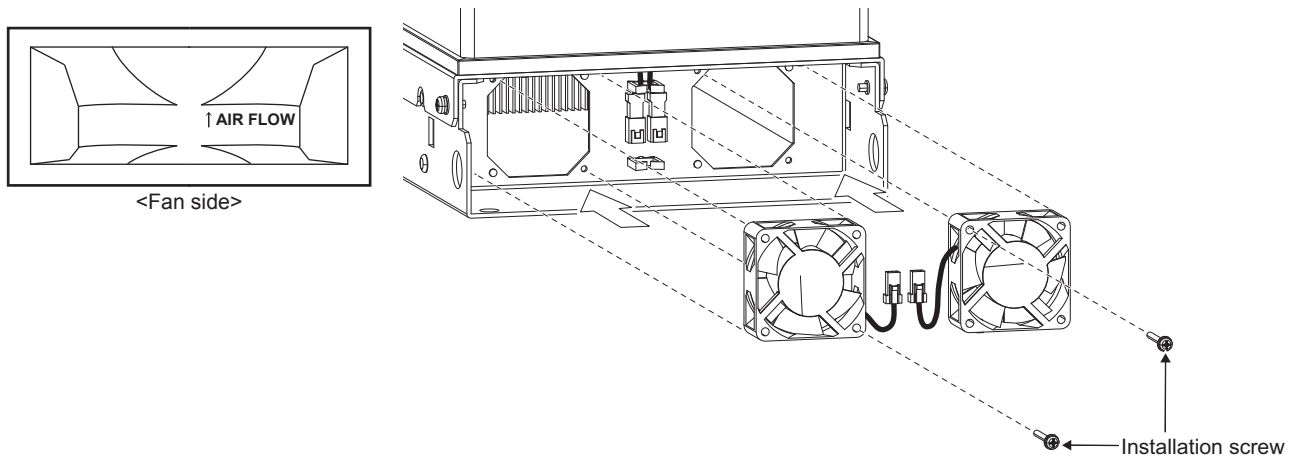


- (3) Remove the installation screws, and then remove the fan.

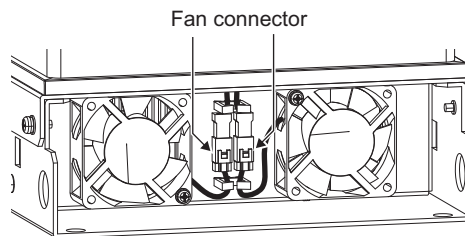


◆ Reinstallation of the cooling fan (FR-F846-00250(11K) to 00470(22K))

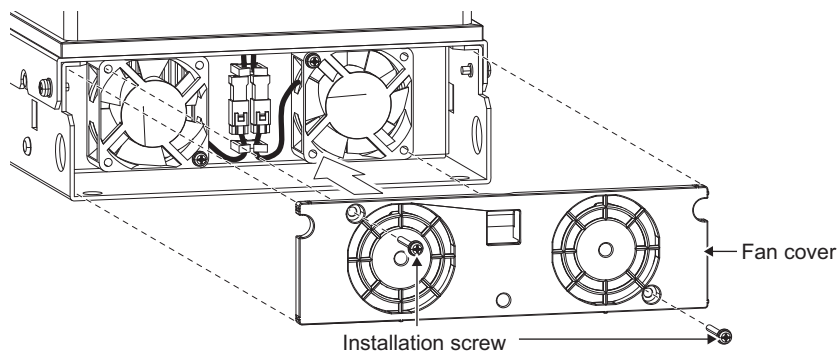
- (1) After confirming the orientation of the fan, reinstall the fan so that the "AIR FLOW" faces up. Then, fix the fan with the installation screws. (tightening torque 1.4 to 1.9 N·m)



- (2) Route the fan lead through the clamp, and then reconnect the fan connectors.



- (3) Attach the fan cover with the installation screws. (tightening torque 1.4 to 1.9 N·m)

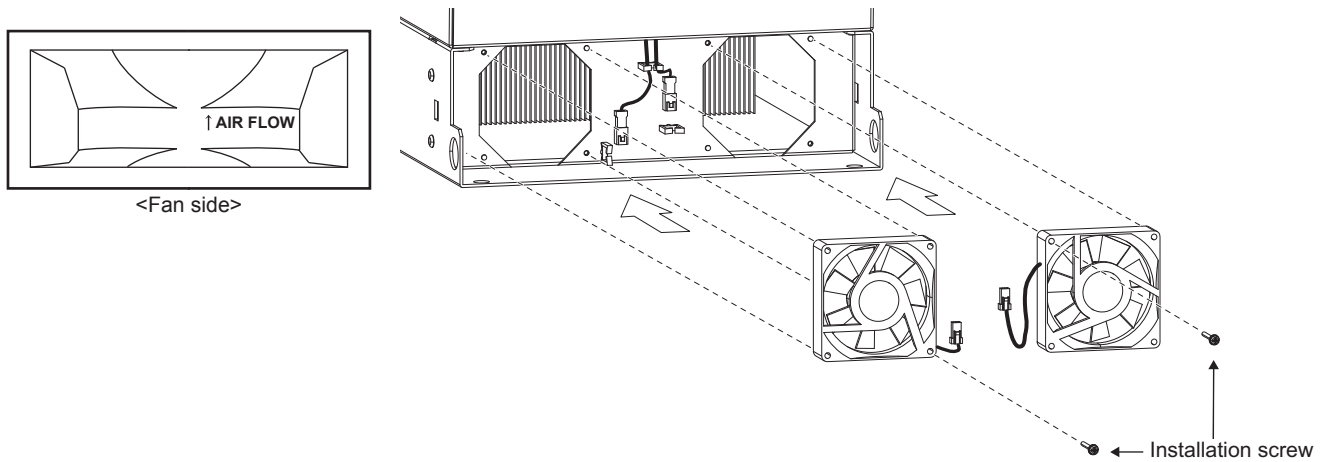


NOTE

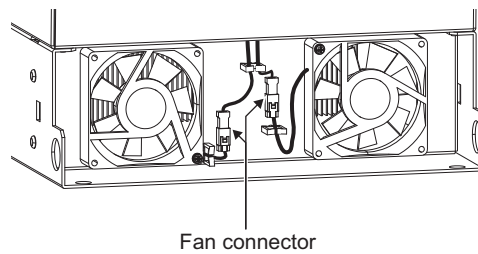
- Installing the fan in the opposite direction of air flow can cause the inverter life to be shorter.
- Prevent the cable from being caught when installing a fan.

◆ Reinstallation of the cooling fan (FR-F846-00620(30K) to 01160(55K))

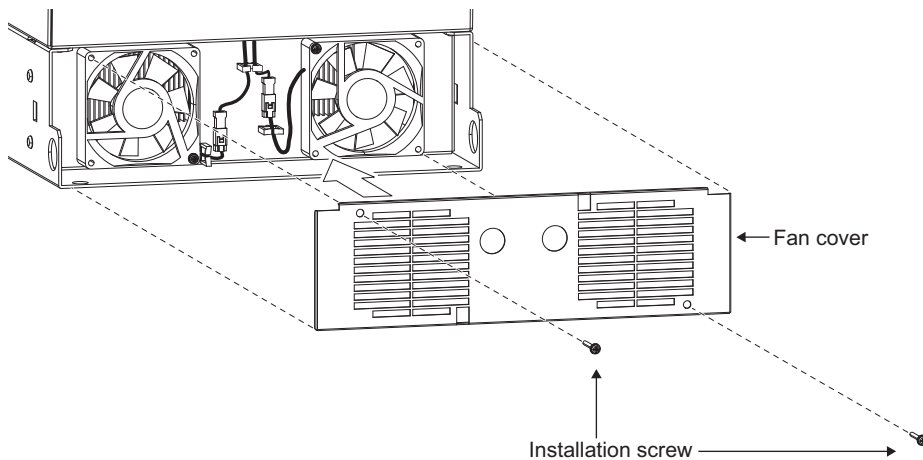
- (1) After confirming the orientation of the fan, reinstall the fan so that the "AIR FLOW" faces up. Then, fix the fan with the installation screws. (tightening torque 1.4 to 1.9 N•m)



- (2) Route the fan lead through the clamp, and then reconnect the fan connectors.



- (3) Attach the fan cover with the installation screws. (tightening torque 1.4 to 1.9 N•m)

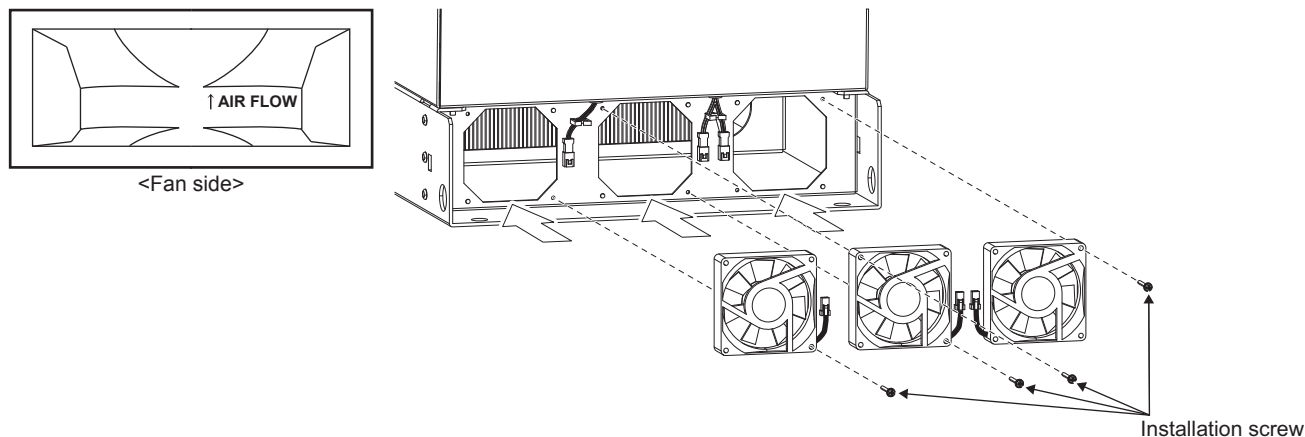


NOTE

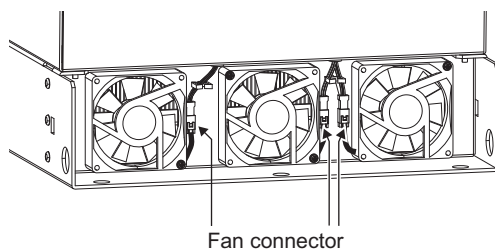
- Installing the fan in the opposite direction of air flow can cause the inverter life to be shorter.
- Prevent the cable from being caught when installing a fan.

◆ Reinstallation of the cooling fan (FR-F846-01800(75K) to 03610(160K))

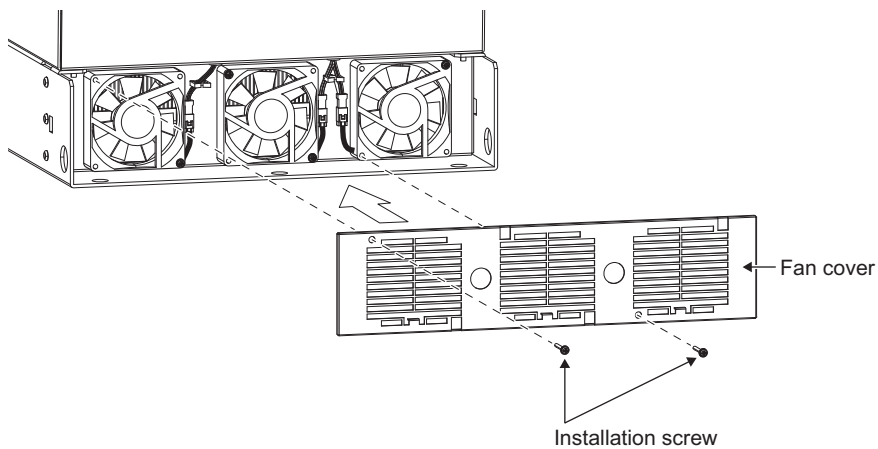
- (1) After confirming the orientation of the fan, reinstall the fan so that the "AIR FLOW" faces up. Then, fix the fan with the installation screws. (tightening torque 1.4 to 1.9 N•m)



- (2) Reconnect the fan connectors.



- (3) Attach the fan cover with the installation screws. (tightening torque 1.4 to 1.9 N•m)

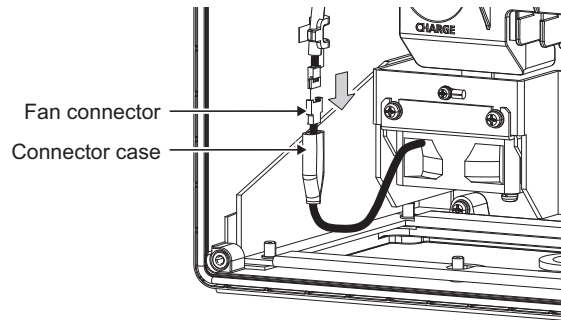


NOTE

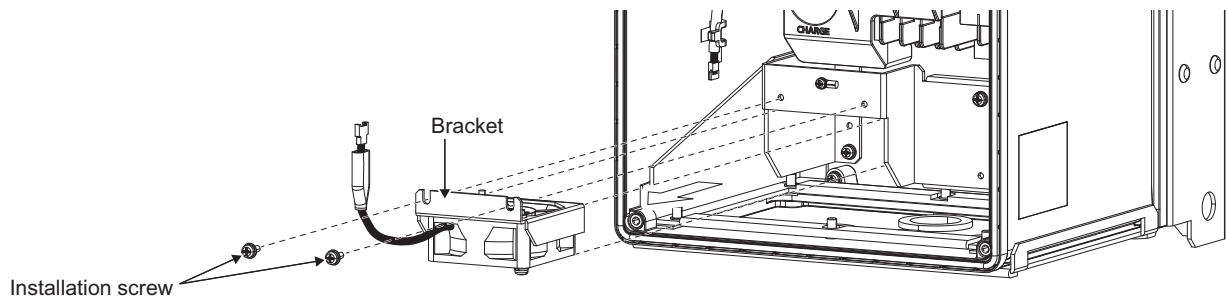
- Installing the fan in the opposite direction of air flow can cause the inverter life to be shorter.
- Prevent the cable from being caught when installing a fan.

◆ Removal of the internal fan (FR-F846-00170(7.5K) or lower)

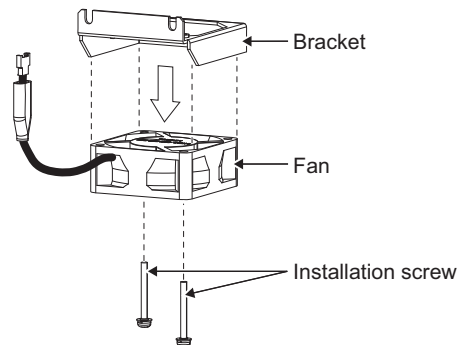
- (1) Remove the inverter front cover. (Refer to [page 15](#))
- (2) Move the fan connector case, and then remove the fan connector.



- (3) Remove the installation screws, and then remove the bracket.

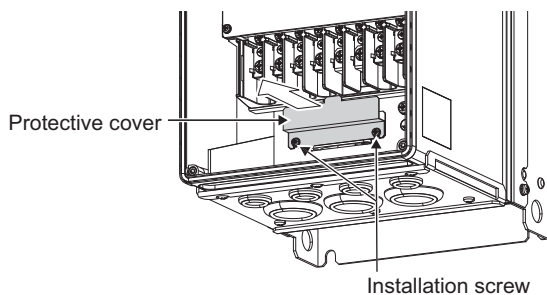


- (4) Remove the installation screws, and then remove the fan.

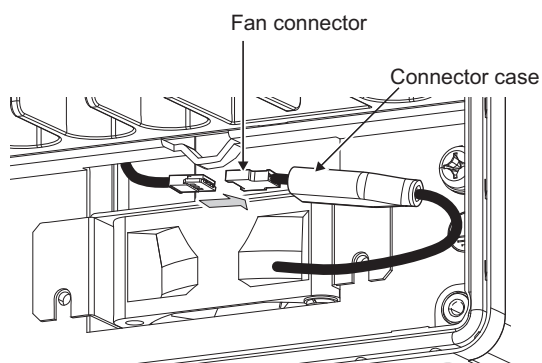


◆ Removal of the internal fan (FR-F846-00250(11K) to FR-F846-00470(22K))

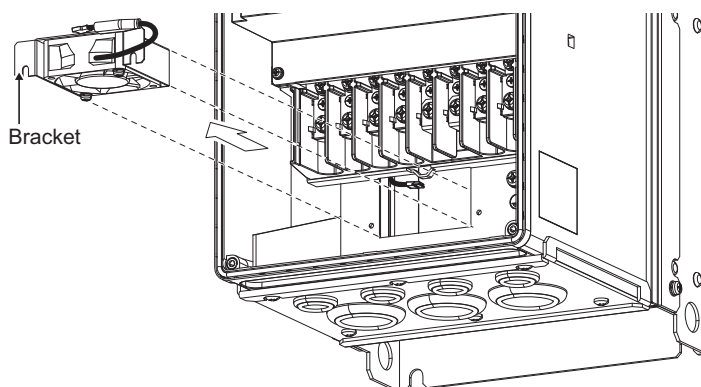
- (1) Remove the inverter front cover. (Refer to [page 15](#))
- (2) Remove the installation screws, and then remove the protective cover.



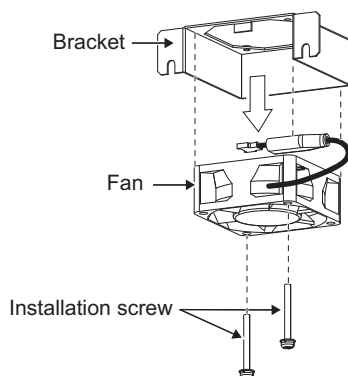
- (3) Move the fan connector case, and then remove the fan connector.



- (4) Remove the bracket.

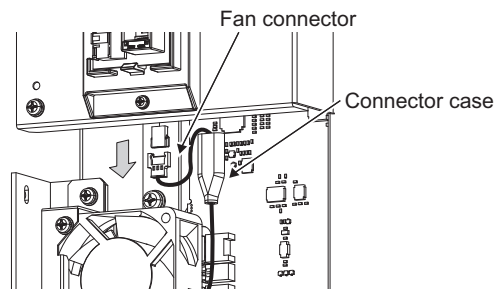


- (5) Remove the installation screws, and then remove the fan.

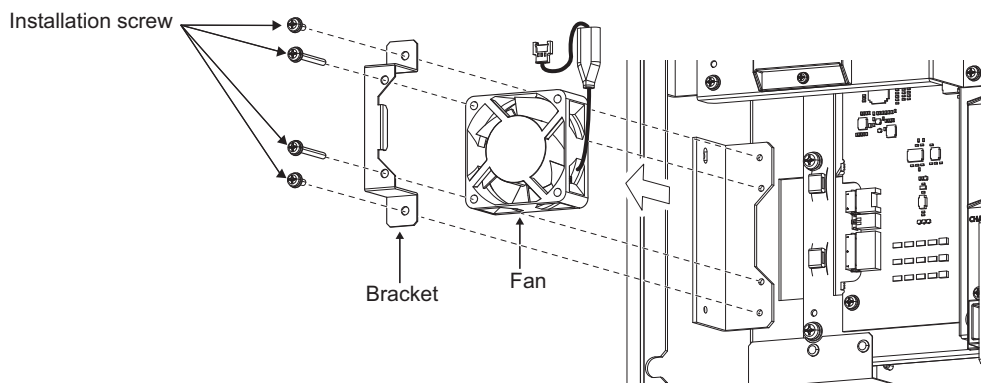


◆ Removal of the internal fan (FR-F846-00620(30K) to 01160(55K))

- (1) Remove the inverter front cover. (Refer to [page 15](#))
- (2) Move the fan connector case, and then remove the fan connector.

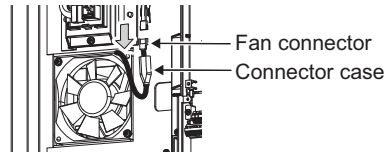


- (3) Remove the installation screws and the bracket, and then remove the fan.

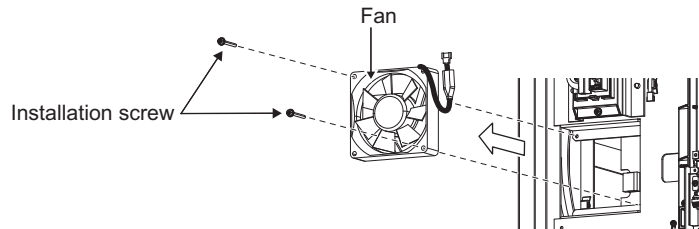


◆ Removal of the internal fan (upper) (FR-F846-01800(75K) to 02600(110K))

- (1) Remove the inverter front cover. (Refer to [page 15](#))
- (2) Move the fan connector case, and then remove the fan connector.

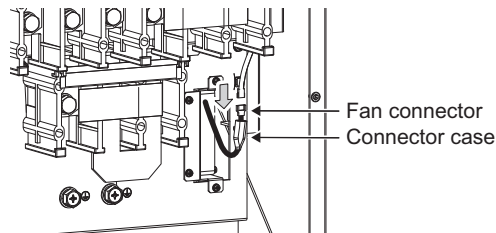


- (3) Remove the installation screws, and then remove the fan.

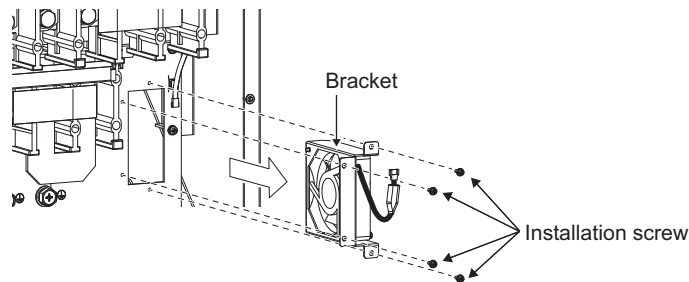


◆ Removal of the internal fan (lower) (FR-F846-01800(75K) to 02600(110K))

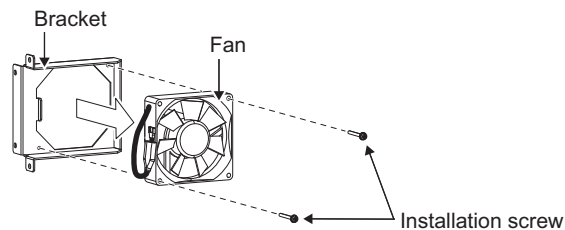
- (1) Remove the inverter front cover. (Refer to [page 15](#))
- (2) Move the fan connector case, and then remove the fan connector.



- (3) Remove the installation screws, and then remove the bracket.

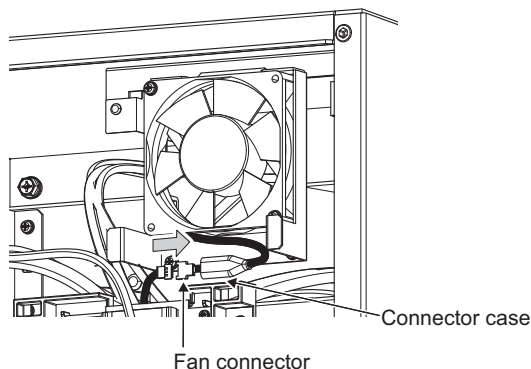


- (4) Remove the installation screws, and then remove the fan.

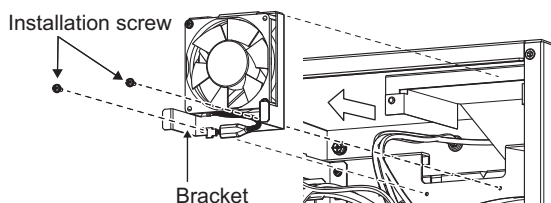


◆ **Removal of the internal fan (upper) (FR-F846-03250(132K) or higher)**

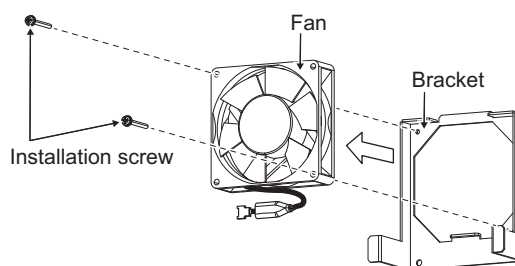
- (1) Remove the inverter front cover. (Refer to [page 15](#))
- (2) Move the fan connector case, and then remove the fan connector.



- (3) Remove the installation screws, and then remove the bracket.

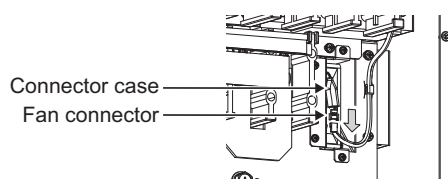


- (4) Remove the installation screws, and then remove the fan.

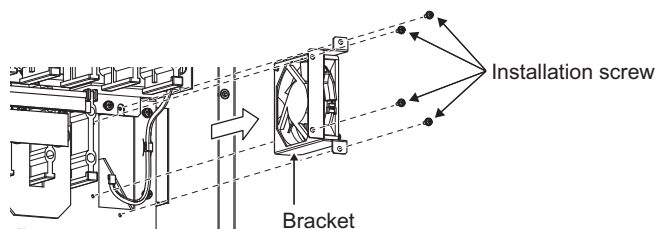


◆ **Removal of the internal fan (lower) (FR-F846-03250(132K) or higher)**

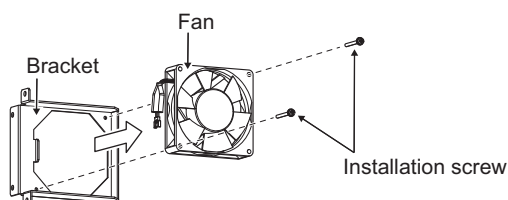
- (1) Remove the inverter front cover. (Refer to [page 15](#))
- (2) Move the fan connector case, and then remove the fan connector.



- (3) Remove the installation screws, and then remove the bracket.

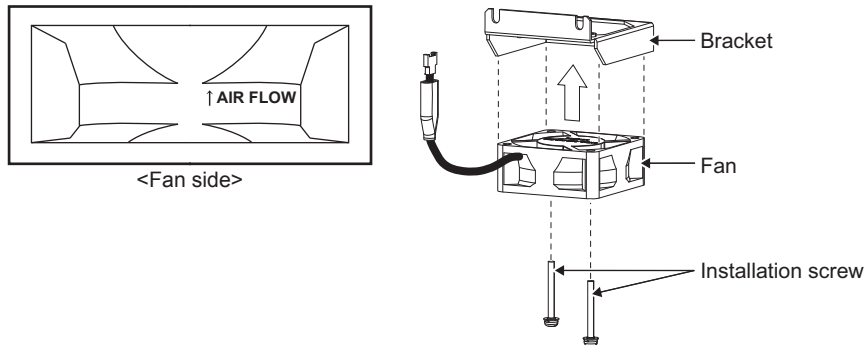


- (4) Remove the installation screws, and then remove the fan.

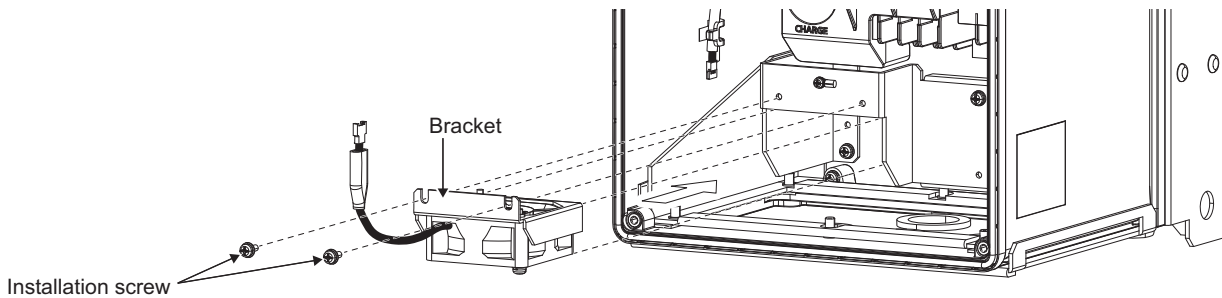


◆ Reinstallation of the internal fan (FR-F846-00170(7.5K) or lower)

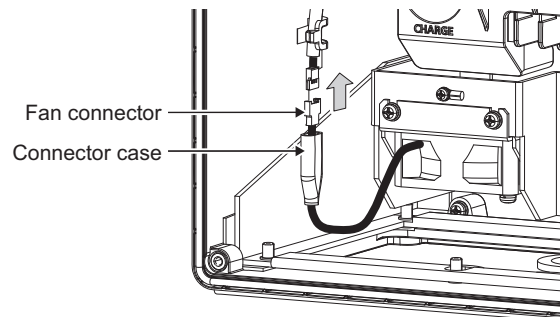
- (1) After confirming the orientation of the fan, fix the fan to the bracket with the installation screws so that the "AIR FLOW" arrow on the fan side faces up when the fan is installed to the inverter. (tightening torque 1.4 to 1.9 N•m)



- (2) Fix the bracket to the inverter with the installation screws. (tightening torque 1.4 to 1.9 N•m)



- (3) Reconnect the fan connector, and then place the connector case from the above.



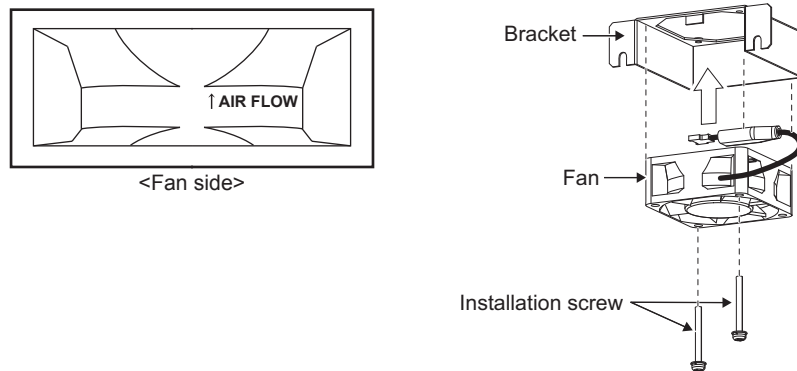
- (4) Reinstall the inverter front cover. (Refer to [page 15](#).)

NOTE

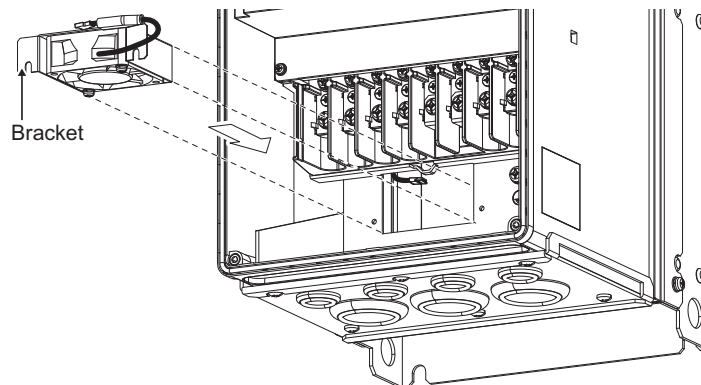
- Installing the fan in the opposite direction of air flow can cause the inverter life to be shorter.
- Prevent the cable from being caught when installing a fan.

◆ Reinstallation of the internal fan (FR-F846-00250(11K) to FR-F846-00470(22K))

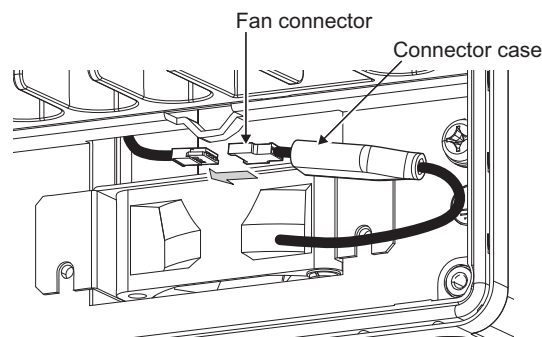
- (1) After confirming the orientation of the fan, fix the fan to the bracket with the installation screws so that the "AIR FLOW" arrow on the fan side faces up when the fan is installed to the inverter. (tightening torque 1.4 to 1.9 N•m)



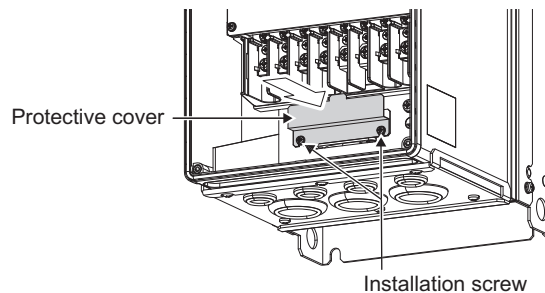
- (2) Attach the bracket to the inverter.



- (3) Reconnect the fan connector, and then place the connector case from the above.



- (4) Fix the protective cover with the installation screws. (tightening torque 1.4 to 1.9 N•m)



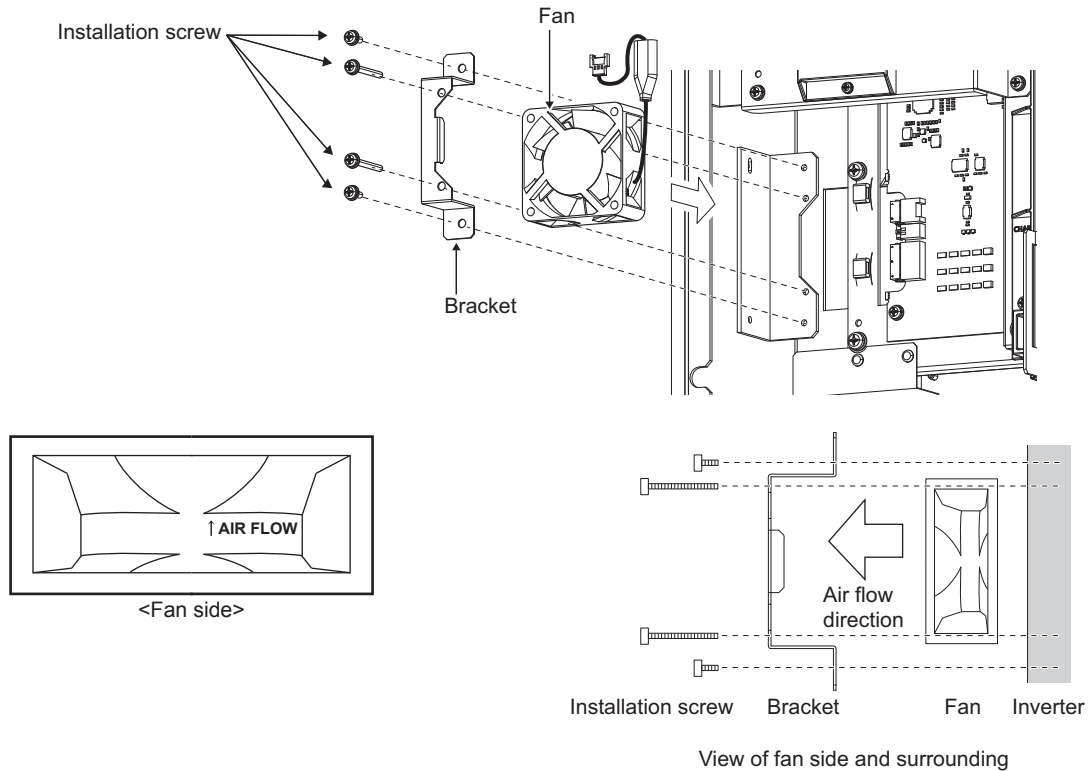
- (5) Reinstall the inverter front cover. (Refer to [page 15](#).)

NOTE

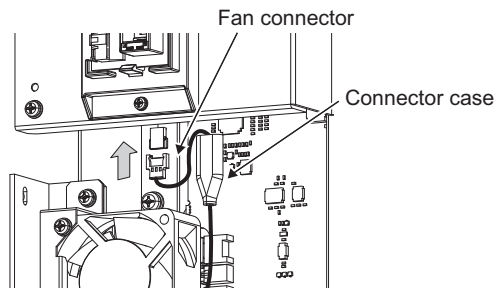
- Installing the fan in the opposite direction of air flow can cause the inverter life to be shorter.
- Prevent the cable from being caught when installing a fan.
- The wiring may contact the fan and be damaged. Always insert the protective cover.

◆ Reinstallation of the internal fan (FR-F846-00620(30K) to 01160(55K))

- (1) Fix the fan to the inverter with the bracket and the installation screws. (tightening torque 1.4 to 1.9 N•m)
 After confirming the orientation of the fan, reinstall the fan so that air flows as shown below.
 (The "AIR FLOW" arrow on the fan side indicates the air flow direction.)



- (2) Reconnect the fan connector, and then place the connector case from the above.



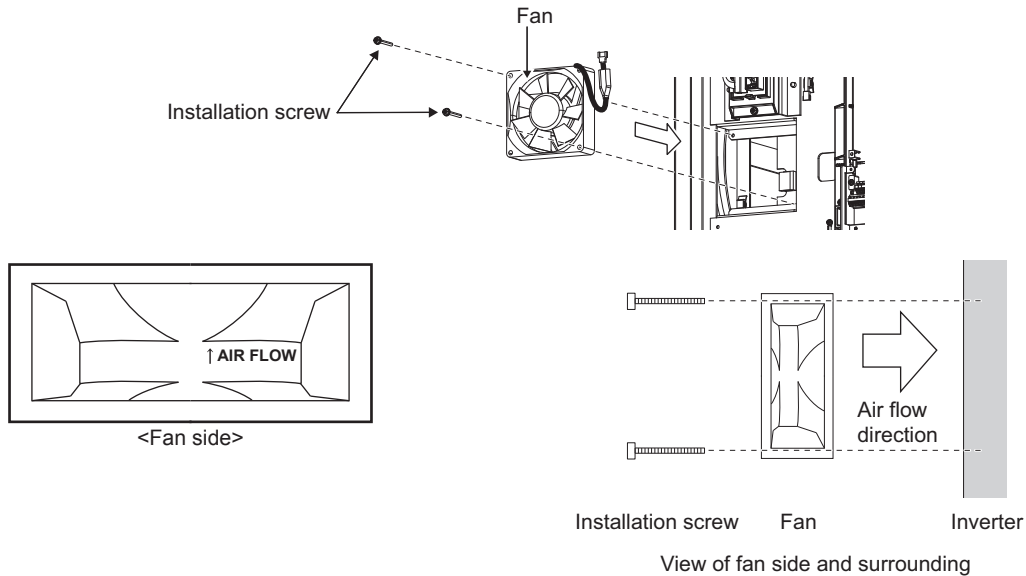
- (3) Reinstall the inverter front cover. (Refer to [page 15](#).)

NOTE

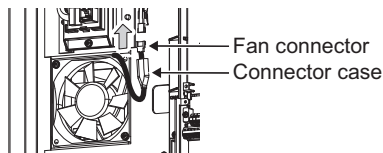
- Installing the fan in the opposite direction of air flow can cause the inverter life to be shorter.
- Prevent the cable from being caught when installing a fan.

◆ **Reinstallation of the internal fan (upper) (FR-F846-01800(75K) to 02600(110K))**

- (1) Fix the fan to the inverter with the installation screws. (tightening torque 1.4 to 1.9 N·m)
 After confirming the orientation of the fan, reinstall the fan so that air flows as shown below.
 (The "AIR FLOW" arrow on the fan side indicates the air flow direction.)



- (2) Reconnect the fan connector, and then place the connector case from the above.



- (3) Reinstall the inverter front cover. (Refer to [page 15](#).)

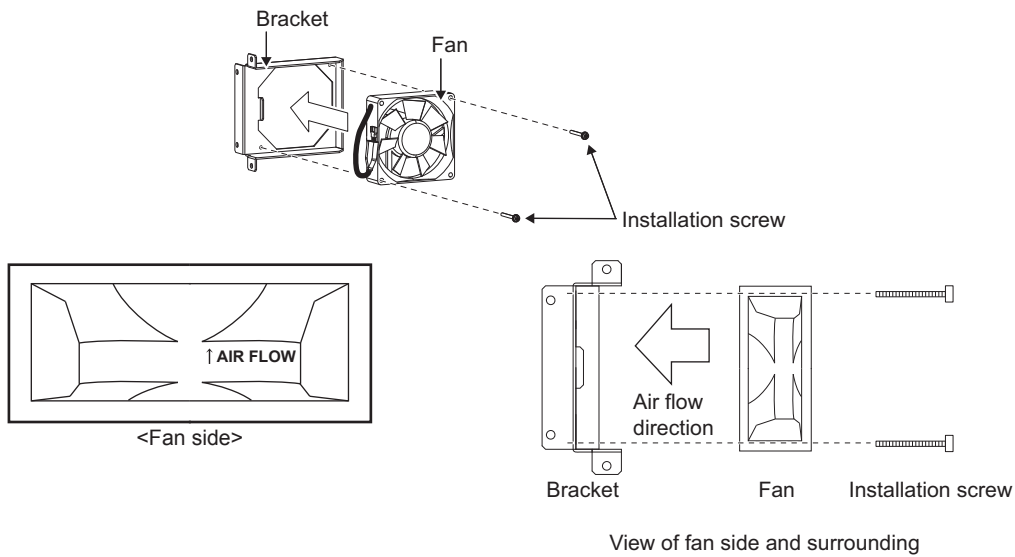
NOTE

- Installing the fan in the opposite direction of air flow can cause the inverter life to be shorter.
- Prevent the cable from being caught when installing a fan.

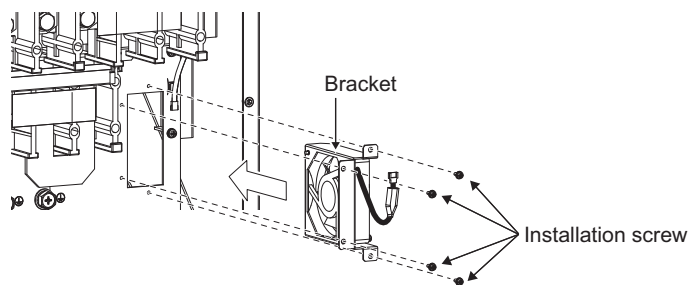
Inspection item

◆ Reinstallation of the internal fan (lower) (FR-F846-01800(75K) to 02600(110K))

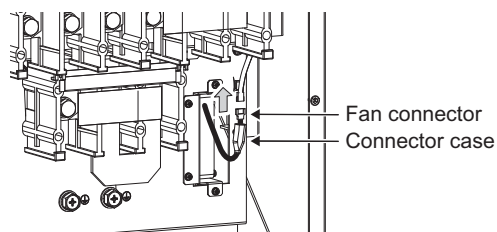
- (1) Fix the fan to the bracket with the installation screws. (tightening torque 1.4 to 1.9 N·m)
After confirming the orientation of the fan, reinstall the fan so that air flows as shown below.
(The "AIR FLOW" arrow on the fan side indicates the air flow direction.)



- (2) Attach the bracket to the inverter.



- (3) Reconnect the fan connector, and then place the connector case from the above.



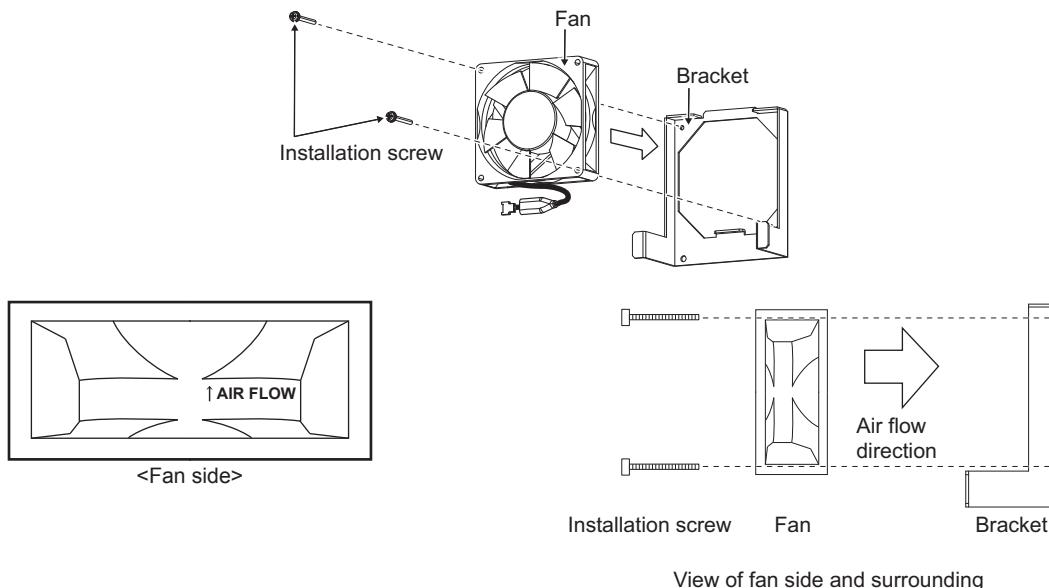
- (4) Reinstall the inverter front cover. (Refer to [page 15](#).)

NOTE

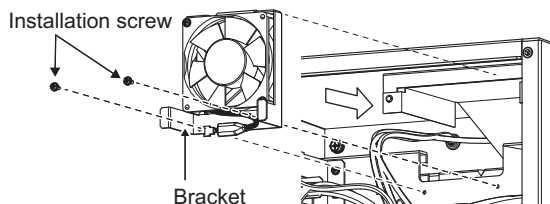
- Installing the fan in the opposite direction of air flow can cause the inverter life to be shorter.
- Prevent the cable from being caught when installing a fan.

◆ **Reinstallation of the internal fan (upper) (03250(132K) or higher)**

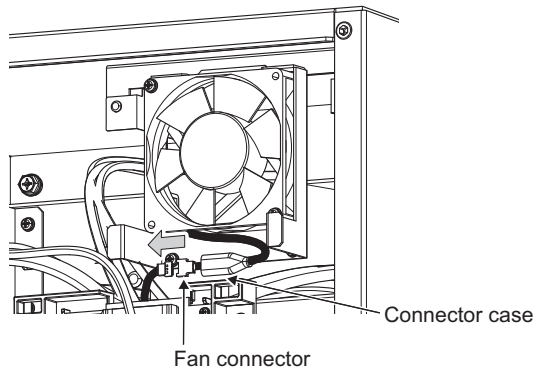
- (1) Fix the fan to the bracket with the installation screws. (tightening torque 1.4 to 1.9 N•m)
 After confirming the orientation of the fan, reinstall the fan so that air flows as shown below.
 (The "AIR FLOW" arrow on the fan side indicates the air flow direction.)



- (2) Attach the bracket to the inverter.



- (3) Reconnect the fan connector, and then place the connector case from the above.



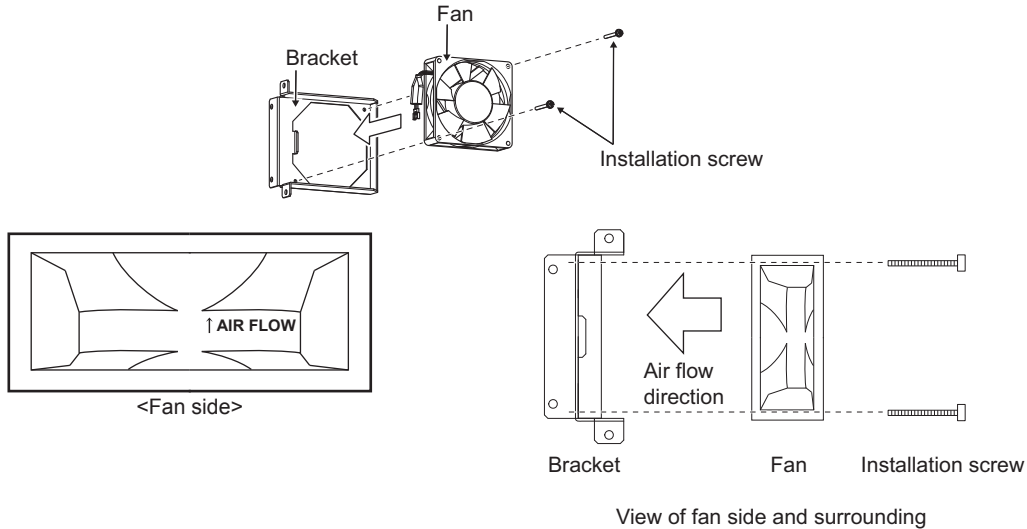
- (4) Reinstall the inverter front cover. (Refer to [page 15](#).)

NOTE

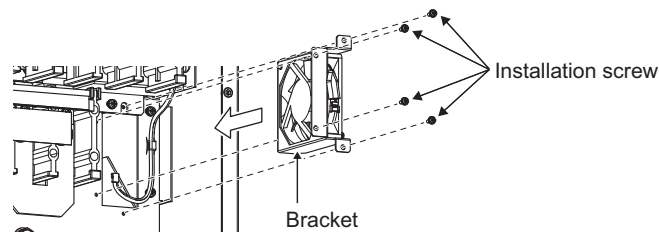
- Installing the fan in the opposite direction of air flow can cause the inverter life to be shorter.
- Prevent the cable from being caught when installing a fan.

◆ Reinstallation of the internal fan (lower) (FR-F846-03250(132K) or higher)

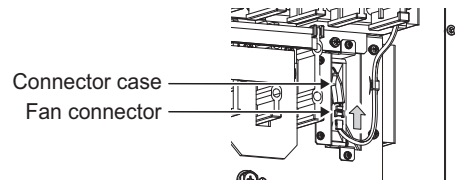
- (1) Fix the fan to the bracket with the installation screws. (tightening torque 1.4 to 1.9 N·m)
 After confirming the orientation of the fan, reinstall the fan so that air flows as shown below.
 (The "AIR FLOW" arrow on the fan side indicates the air flow direction.)



- (2) Attach the bracket to the inverter.



- (3) Reconnect the fan connector, and then place the connector case from the above.



- (4) Reinstall the inverter front cover. (Refer to [page 15](#).)

NOTE

- Installing the fan in the opposite direction of air flow can cause the inverter life to be shorter.
- Prevent the cable from being caught when installing a fan.

◆ Smoothing capacitors

A large-capacity aluminum electrolytic capacitor is used for smoothing in the main circuit DC section, and an aluminum electrolytic capacitor is used for stabilizing the control power in the control circuit. Their characteristics are deteriorated by the adverse effects of ripple currents, etc. The replacement intervals greatly vary with the ambient temperature and operating conditions. When the inverter is operated in air-conditioned, normal environment conditions, replace the capacitors about every 10 years.

The appearance criteria for inspection are as follows:

- Case: Check the side and bottom faces for expansion.
- Sealing plate: Check for remarkable warp and extreme crack.
- Check for external crack, discoloration, liquid leakage, etc. Judge that the capacitor has reached its life when the measured capacitance of the capacitor reduced below 80% of the rating.

NOTE

- The inverter diagnoses the main circuit capacitor and control circuit capacitor by itself and can judge their lives. (Refer to the FR-F800 Instruction manual (Detailed).)

◆ Relay output terminals

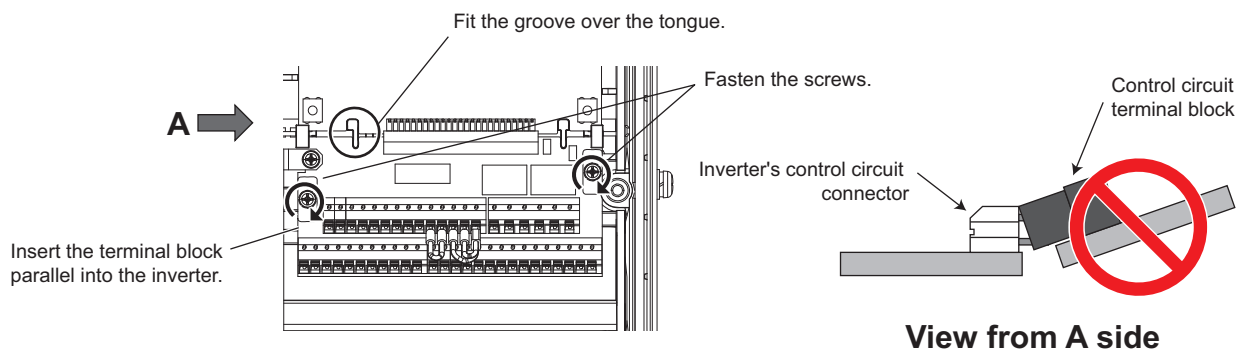
- To prevent a contact fault, etc., relays must be replaced according to the cumulative number of switching times (switching life).
- The control terminal block must be replaced in case of failure of either relay between the relay output terminals C1 and B1 or A1, or terminals C2 and B2 or A2. (After replacing the control terminal block, connect the jumper connector to the correct position in accordance with the control logic of input signals. (Refer to [page 36](#).)

5.1.7 Precautions for removal and reinstallation of the control circuit terminal block

The FR-F800 series inverter has a removable control circuit terminal block, which can be replaced with a new one or a control terminal option. The following are the precautions to remove or reinstall the control circuit terminal block.

Observe the following for proper handling to avoid malfunctions or failures of the inverter.

- To remove or reinstall the control circuit terminal block, keep it upright so that it is parallel with the inverter.
- To install the control circuit terminal block, slide it upward so that the groove on the terminal block fits over the tongue on the inverter.
- Check that the terminal block is parallel with the inverter and the pins of the inverter's control circuit connector are not bent. After checking the proper connection, fix the terminal block with two screws.



NOTE

- Do not tilt the terminal block while tightening the screws or removing it from the inverter. (Otherwise, a stress applied to the control circuit terminal block or the control circuit connector may cause damage to them.)

5.2 Measurement of main circuit voltages, currents, and powers

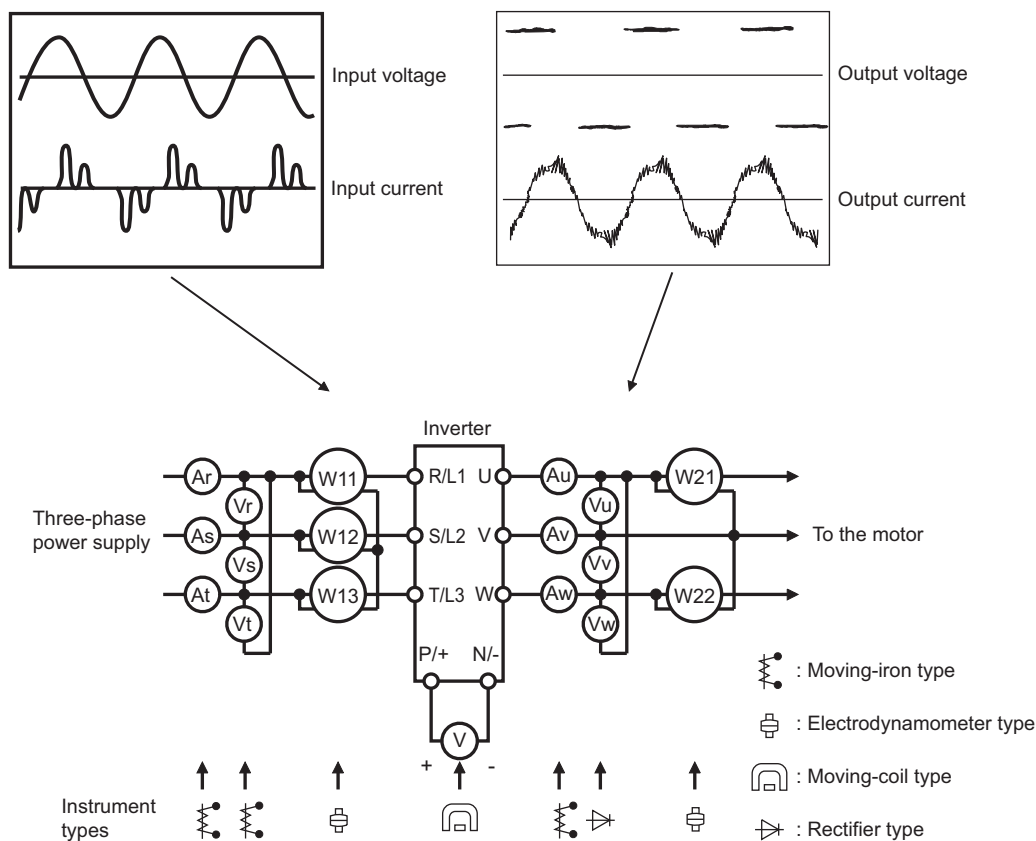
Since the voltages and currents on the inverter power supply and output sides include harmonics, measurement data depends on the instruments used and circuits measured.

When instruments for commercial frequency are used for measurement, measure the following circuits with the instruments given on the next page.

NOTE

- When installing meters etc. on the inverter output side
When the inverter-to-motor wiring length is large, especially small-capacity models, the meters and CTs may generate heat due to line-to-line leakage current. Therefore, choose the equipment which has enough allowance for the current rating.
To measure and display the output voltage and output current of the inverter, it is recommended to use the terminal AM and FM/CA output functions of the inverter.

◆ Examples of measuring points and instruments



◆ Measuring points and instruments

Item	Measuring point	Measuring instrument	Remarks (reference measured value)	
Power supply voltage V1	Across R/L1 and S/L2, S/L2 and T/L3, T/L3 and R/L1	Moving-iron type AC voltmeter*4	Commercial power supply Within permissible AC voltage fluctuation (Refer to page 112.)	
Power supply side current I1	R/L1, S/L2, T/L3 line current	Moving-iron type AC ammeter*4		
Power supply side power P1	R/L1, S/L2, T/L3 and Across R/L1 and S/L2, S/L2 and T/L3, T/L3 and R/L1	Digital power meter (for inverter) or electrodynamic type single-phase wattmeter	P1 = W11 + W12 + W13 (3-wattmeter method)	
Power supply side power factor Pf1	Calculate after measuring power supply voltage, power supply side current and power supply side power. $Pf_1 = \frac{P_1}{\sqrt{3}V_1 \times I_1} \times 100\%$			
Output side voltage V2	Across U and V, V and W, and W and U	Rectifier type AC voltage meter*1*4 (moving-iron type cannot measure.)	Difference between the phases is within 1% of the maximum output voltage.	
Output side current I2	U, V and W line currents	Moving-iron type AC ammeter*2*4	Difference between the phases is 10% or lower of the inverter rated current.	
Output side power P2	U, V, W and across U and V, V and W	Digital power meter (for inverter) or electrodynamic type single-phase wattmeter	P2 = W21 + W22 2-wattmeter method (or 3-wattmeter method)	
Output side power factor Pf2	Calculate in similar manner to power supply side power factor. $Pf_2 = \frac{P_2}{\sqrt{3}V_2 \times I_2} \times 100\%$			
Converter output	Across P/+ and N/-	Moving-coil type (such as tester)	Inverter LED is lit. 1.35 × V1	
Frequency setting signal	Across 2, 4(+) and 5	Moving-coil type (tester and such may be used.) (internal resistance 50 kΩ or more)	0 to 10 VDC, 4 to 20 mA	"5" is . common
	Across 1(+) and 5		0 to ±5 VDC and 0 to ±10 VDC	
	Across 10(+) and 5		5.2 VDC	
	Across 10E(+) and 5		10 VDC	
Frequency meter signal	Across AM(+) and 5	Moving-coil type (tester and such may be used.) (internal resistance 50 kΩ or more)	Approximately 10 VDC at maximum frequency (without frequency meter)	"SD" is common
	Across CA(+) and 5		Approximately 20 mADC at maximum frequency	
	Across FM(+) and SD		Approximately 5 VDC at maximum frequency (without frequency meter)	
Start signal Select signal Reset signal Output stop signal	Across STF, STR, RH, RM, RL, JOG, RT, AU, STOP, CS, RES, MRS(+) and SD (for sink logic)	Moving-coil type (such as tester)	When open 20 to 30 VDC ON voltage: 1 V or less	
	Across A1 and C1 Across B1 and C1		Continuity check*3 [Normal] [Fault] Across A1 and C1 Discontinuity Continuity Across B1 and C1 Continuity Discontinuity	

*1 Use an FFT to measure the output voltage accurately. A tester or general measuring instrument cannot measure accurately.

*2 When the carrier frequency exceeds 5 kHz, do not use this instrument since using it may increase eddy current losses produced in metal parts inside the instrument, leading to burnout. In this case, use an approximate-effective value type.

*3 When the setting of **Pr.195 ABC1 terminal function selection** is the positive logic

*4 A digital power meter (designed for inverter) can also be used to measure.

5.2.1 Measurement of powers

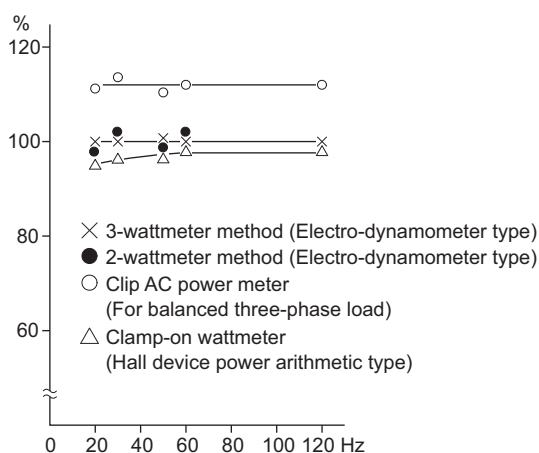
Use digital power meters (for inverter) for the both of inverter input and output side. Alternatively, measure using electrodynamic type single-phase wattmeters for the both of inverter input and output side in two-wattmeter or three-wattmeter method. As the current is liable to be imbalanced especially in the input side, it is recommended to use the three-wattmeter method.

Examples of measured value differences produced by different measuring meters are shown below.

An error will be produced by difference between measuring instruments, e.g. power calculation type and two- or three-wattmeter type three-phase wattmeter. When a CT is used in the current measuring side or when the meter contains a PT on the voltage measurement side, an error will also be produced due to the frequency characteristics of the CT and PT.

[Measurement conditions]

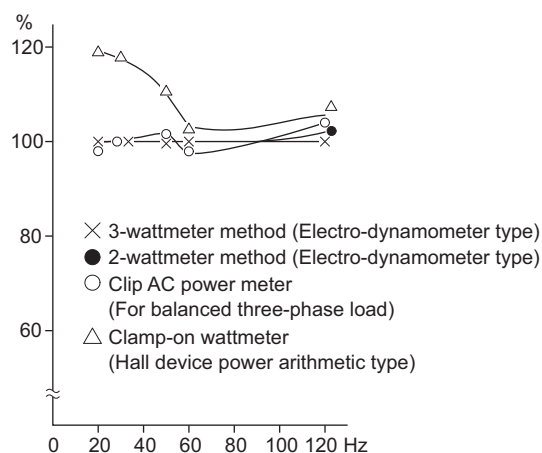
Constant output of 60 Hz or more frequency with a constant-torque (100%). The value obtained by the 3-wattmeter method with a 4-pole 3.7 kW induction motor is assumed to be 100%.



Example of measuring inverter input power

[Measurement conditions]

Constant output of 60 Hz or more frequency with a constant-torque (100%). The value obtained by the 3-wattmeter method with a 4-pole 3.7 kW induction motor is assumed to be 100%.



Example of measuring inverter output power

5.2.2 Measurement of voltages and use of PT

◆ Inverter input side

As the input side voltage has a sine wave and it is extremely small in distortion, accurate measurement can be made with an ordinary AC meter.

◆ Inverter output side

Since the output side voltage has a PWM-controlled rectangular wave, always use a rectifier type voltmeter. A needle type tester cannot be used to measure the output side voltage as it indicates a value much greater than the actual value. A moving-iron type meter indicates an effective value which includes harmonics and therefore the value is larger than that of the fundamental wave. The value monitored on the operation panel is the inverter-controlled voltage itself. Hence, that value is accurate and it is recommended to monitor values (analog output) using the operation panel.

◆ PT

No PT can be used in the output side of the inverter. Use a direct-reading meter. (A PT can be used in the input side of the inverter.)

5.2.3 Measurement of currents

Use moving-iron type meters on both the input and output sides of the inverter. However, if the carrier frequency exceeds 5 kHz, do not use that meter since an overcurrent losses produced in the internal metal parts of the meter will increase and the meter may burn out. In this case, use an approximate-effective value type.

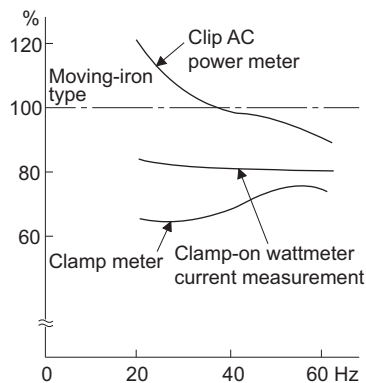
Since current on the inverter input side tends to be unbalanced, measurement of three phases is recommended. Correct value cannot be obtained by measuring only one or two phases. On the other hand, the unbalanced ratio of each phase of the output side current should be within 10%.

When a clamp ammeter is used, always use an effective value detection type. A mean value detection type produces a large error and may indicate an extremely smaller value than the actual value. The value monitored on the operation panel is accurate if the output frequency varies, and it is recommended to monitor values (provide analog output) using the operation panel.

Examples of measured value differences produced by different measuring meters are shown below.

[Measurement conditions]

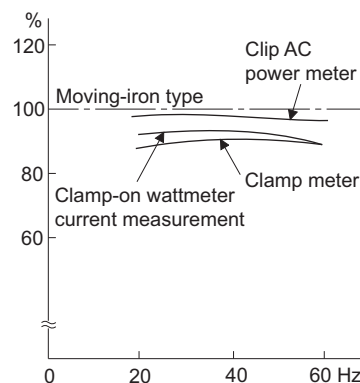
Indicated value of the moving-iron type ammeter is 100%.



Example of measuring inverter input current

[Measurement conditions]

Indicated value of the moving-iron type ammeter is 100%.



Example of measuring inverter output current

5.2.4 Use of CT and transducer

A CT may be used in both the input and output sides of the inverter. Use the one with the largest possible VA ability because an error will increase if the frequency gets lower.

When using a transducer, use the effective value calculation type which is immune to harmonics.

5.2.5 Measurement of inverter input power factor

Calculate using effective power and apparent power. A power-factor meter cannot indicate an exact value.

$$\begin{aligned} \text{Total power factor of the inverter} &= \frac{\text{Effective power}}{\text{Apparent power}} \\ &= \frac{\text{Three-phase input power found by the 3-wattmeter method}}{\sqrt{3} \times V (\text{power supply voltage}) \times I (\text{input current effective value})} \end{aligned}$$

5.2.6 Measurement of converter output voltage (across terminals P and N)

The output voltage of the converter is output across terminals P and N and can be measured with a moving-coil type meter (tester). Although the voltage varies according to the power supply voltage, approximately 540 VDC to 600 VDC is output when no load is connected and voltage decreases during driving load operation.

When energy is regenerated from the motor during deceleration, for example, the converter output voltage rises to nearly 800 VDC to 900 VDC maximum.

5.2.7 Measurement of inverter output frequency

In the initial setting of the FM-type inverter, a pulse train proportional to the output frequency is output across the pulse train output terminals FM and SD of the inverter. This pulse train output can be counted by a frequency counter, or a meter (moving-coil type voltmeter) can be used to read the mean value of the pulse train output voltage. When a meter is used to measure the output frequency, approximately 5 VDC is indicated at the maximum frequency.

For detailed specifications of the pulse train output terminal FM, refer to the FR-F800 Instruction Manual (Detailed).

In the initial setting of the CA-type inverter, a pulse train proportional to the output frequency is output across the analog current output terminals CA and 5 of the inverter. Measure the current using an ammeter or tester.

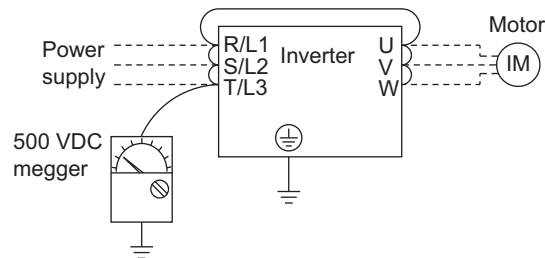
For detailed specifications of the analog current output terminal CA, refer to the FR-F800 Instruction Manual (Detailed).

5.2.8 Insulation resistance test using megger

For the inverter, conduct the insulation resistance test on the main circuit only as shown below and do not perform the test on the control circuit. (Use a 500 VDC megger.)

NOTE

- Before performing the insulation resistance test on the external circuit, disconnect the cables from all terminals of the inverter so that the test voltage is not applied to the inverter.
- For the continuity test of the control circuit, use a tester (high resistance range) and do not use the megger or buzzer.



5.2.9 Pressure test

Do not conduct a pressure test. Deterioration may occur.

6 SPECIFICATIONS

This chapter explains the "SPECIFICATIONS" of this product.
Always read the instructions before using the equipment.

6.1	Inverter rating.....	112
6.2	Common specifications	113
6.3	Inverter outline dimension drawings	115

6.1 Inverter rating

Model FR-F846-[]	00023 (0.75K)	00038 (1.5K)	00052 (2.2K)	00083 (3.7K)	00126 (5.5K)	00170 (7.5K)	00250 (11K)	00310 (15K)	00380 (18.5K)	00470 (22K)	00620 (30K)	00770 (37K)	00930 (45K)	01160 (55K)	01800 (75K)	02160 (90K)	02600 (110K)	03250 (132K)	03610 (160K)	
Applicable motor capacity (kW) *1	0.75	1.5	2.2	3.7	5.5	7.5	11	15	18.5	22	30	37	45	55	75	90	110	132	160	
Output	Rated capacity (kVA) *2	1.6	2.7	3.7	5.8	8.8	12	18	22	27	33	43	53	65	81	110	137	165	198	248
	Rated current (A)	2.1	3.5	4.8	7.6	11.5	16	23	29	35	43	57	70	85	106	144	180	216	260	325
	Overload current rating *3	120% 60 s, 150% 3 s (inverse-time characteristics) at ambient temperature of 40°C																		
	Rated voltage *4	Three-phase 380 to 500 V																		
Power supply	Rated input AC voltage/ frequency	Three-phase 380 to 500 V 50 Hz/60 Hz *7																		
	Permissible AC voltage fluctuation	323 to 550 V 50 Hz/60 Hz																		
	Permissible frequency fluctuation	±5%																		
	Rated input current (A) *5	2.1	3.5	4.8	7.6	11.5	16	23	29	35	43	57	70	85	106	144	180	216	260	325
	Power supply capacity (kVA) *6	1.6	2.7	3.7	5.8	9	12	18	22	27	33	43	53	65	81	110	137	165	198	248
Protective structure		Dust- and water-proof type (IP55) *9																		
		UL Type12 *8																		
Cooling system	Self cooling + internal fan									Forced-air-cooling + internal fan										
DC reactor	Built-in																			
Approx. mass (kg)	15	15	15	15	16	17	26	26	27	27	59	60	63	64	147	150	153	189	193	

- *1 The applicable motor capacity indicated is the maximum capacity applicable for use of the Mitsubishi Electric 4-pole standard motor.
- *2 The rated output capacity indicated assumes that the output voltage is 440 V.
- *3 The % value of the overload current rating indicated is the ratio of the overload current to the inverter's rated output current. For repeated duty, allow time for the inverter and motor to return to or below the temperatures under 100% load.
- *4 The maximum output voltage does not exceed the power supply voltage. The maximum output voltage can be changed within the setting range. However, the maximum point of the voltage waveform at the inverter output side is the power supply voltage multiplied by about $\sqrt{2}$.
- *5 The rated input current indicates a value at a rated output voltage. The impedance at the power supply side (including those of the input reactor and cables) affects the rated input current.
- *6 The power supply capacity is the value when at the rated output current. It varies by the impedance at the power supply side (including those of the input reactor and cables).
- *7 For the power voltage exceeding 480 V, set **Pr.977 Input voltage mode selection**. (For the details, refer to the FR-F800 Instruction Manual (Detailed).)
- *8 UL Type 12 Enclosure-Suitable for Installation in a Compartment Handling Conditioned Air (Plenum)
- *9 For compliance with IP55, remove the protective bushes and install the recommended cable glands.

6.2 Common specifications

Control specifications	Control method		Soft-PWM control, high carrier frequency PWM control (selectable among V/F control (Optimum excitation control), Advanced magnetic flux vector control (Advanced optimum excitation control) and PM motor control)	
	Output frequency range		0.2 to 590 Hz (The upper-limit frequency is 400 Hz under Advanced magnetic flux vector control, and PM motor control.)	
	Frequency setting resolution	Analog input	0.015 Hz/60 Hz (terminal 2, 4: 0 to 10 V/12 bits) 0.03 Hz/60 Hz (0 to 5 V/11 bits or 0 to 20 mA/approx. 11 bits for terminals 2 and 4, 0 to ±10 V/12 bits for terminal 1)	
		Digital input	0.01 Hz	
	Frequency accuracy	Analog input	Within ±0.2% of the max. output frequency (25°C ±10°C)	
		Digital input	Within 0.01% of the set output frequency	
	Voltage/frequency characteristics		Base frequency can be set from 0 to 590 Hz. Constant-torque/variable-torque pattern or adjustable 5 points V/F can be selected.	
	Starting torque	Induction motor	120% 0.5 Hz (Advanced magnetic flux vector control)	
		IPM motor	50%	
	Torque boost		Manual torque boost	
	Acceleration/deceleration time setting		0 to 3600 s (acceleration and deceleration can be set individually), linear or S-pattern acceleration/deceleration mode, backlash countermeasures acceleration/deceleration can be selected.	
DC injection brake (induction motor)		Operation frequency (0 to 120 Hz), operation time (0 to 10 s), operation voltage (0 to 30%) variable		
Stall prevention operation level		Activation range of stall prevention operation (0 to 150%). Whether to use the stall prevention or not can be selected. (V/F control, Advanced magnetic flux vector control)		
Operation specifications	Frequency setting signal	Analog input	Terminals 2 and 4: 0 to 10 V, 0 to 5 V, 4 to 20 mA (0 to 20 mA) are available. Terminal 1: -10 to +10 V, -5 to 5 V are available.	
		Digital input	Input using the setting dial of the operation panel or the parameter unit Four-digit BCD or 16-bit binary (when used with option FR-A8AX)	
	Start signal		Forward and reverse rotation or start signal automatic self-holding input (3-wire input) can be selected.	
	Input signals (twelve terminals)		Low-speed operation command, Middle-speed operation command, High-speed operation command, Second function selection, Terminal 4 input selection, Jog operation selection, Output stop, Start self-holding selection, Forward rotation command, Reverse rotation command, Inverter reset The input signal can be changed using Pr.178 to Pr.189 (input terminal function selection) .	
	Pulse train input		100 kpps	
	Operational functions		Maximum and minimum frequency settings, multi-speed operation, acceleration/deceleration pattern, thermal protection, DC injection brake, starting frequency, JOG operation, output stop (MRS), stall prevention, regeneration avoidance, increased magnetic excitation deceleration, DC feeding, frequency jump, rotation display, automatic restart after instantaneous power failure, electronic bypass sequence, remote setting, retry function, carrier frequency selection, fast-response current limit, forward/reverse rotation prevention, operation mode selection, slip compensation, speed smoothing control, traverse, auto tuning, applied motor selection, RS-485 communication, Ethernet communication, PID control, PID pre-charge function, cooling fan operation selection, stop selection (deceleration stop/coasting), power-failure deceleration stop function, PLC function, life diagnosis, maintenance timer, current average monitor, multiple rating, test run, 24 V power supply input for control circuit, safety stop function, self power management, BACnet communication, PID gain tuning, cleaning, load characteristics storage, emergency drive	
	Output signal	Open collector output (five terminals)	Inverter running, Up to frequency, Instantaneous power failure/undervoltage, Overload warning, Output frequency detection, Fault	
		Relay output (two terminals)	The output signal can be changed using Pr.190 to Pr.196 (output terminal function selection) . Fault codes of the inverter can be output (4 bits) from the open collector.	
		Pulse train output (FM type)	50 kpps	
	Indication	For meter	Pulse train output (FM type)	Max. 2.4 kHz: one terminal (output frequency) The monitored item can be changed using Pr.54 FM/CA terminal function selection .
			Current output (CA type)	Max. 20 mADC: one terminal (output current) The monitored item can be changed using Pr.54 FM/CA terminal function selection .
Voltage output			Max. 10 VDC: one terminal (output voltage) The monitored item can be changed using Pr.158 AM terminal function selection .	
Operation panel (FR-DU08)		Operating status	Output frequency, output current, output voltage, Frequency setting value The monitored item can be changed using Pr.52 Operation panel main monitor selection .	
	Fault record	Fault record is displayed when a fault occurs. Past 8 fault records and the conditions immediately before the fault (output voltage/current/frequency/cumulative energization time/year/month/date/time) are saved.		
Protective/warning function	Protective function	Overcurrent trip during acceleration, Overcurrent trip during constant speed, Overcurrent trip during deceleration or stop, Regenerative overvoltage trip during acceleration, Regenerative overvoltage trip during constant speed, Regenerative overvoltage trip during deceleration or stop, Inverter overload trip (electronic thermal O/L relay function), Motor overload trip (electronic thermal O/L relay function), Heatsink overheat, Instantaneous power failure, Undervoltage, Input phase loss ^{•1} , Stall prevention stop, Loss of synchronism detection ^{•1} , Upper limit fault detection, Lower limit fault detection, Output side earth (ground) fault overcurrent, Output short circuit, Output phase loss, External thermal relay operation ^{•1} , PTC thermistor operation ^{•1} , Option fault, Communication option fault, User definition error by the PLC function, Parameter storage device fault, PU disconnection, Retry count excess ^{•1} , CPU fault, Operation panel power supply short circuit/RS-485 terminals power supply short circuit, 24 VDC power fault, Abnormal output current detection ^{•1} , Inrush current limit circuit fault, Communication fault (inverter), Analog input fault, Ethernet communication fault ^{•1} , USB communication fault, Safety circuit fault, Abnormal internal temperature, Internal circuit fault, Overspeed occurrence ^{•1} , 4 mA input fault ^{•1} , Pre-charge fault ^{•1} , PID signal fault ^{•1}		
	Warning function	Operation panel lock ^{•1} , Password locked ^{•1} , Parameter write error, Copy operation error, Stall prevention (overcurrent), Stall prevention (overvoltage), Electronic thermal relay function pre-alarm, PU stop, Continuous operation during communication fault, Parameter copy, Safety stop, Maintenance timer 1 to 3 ^{•1} , USB host error, Load fault warning, Emergency drive in operation, Fan alarm, Internal-circulation fan alarm, 24 V external power supply operation, Ethernet communication fault		

Common specifications

Environment	Surrounding air temperature	-10°C to +40°C (non-freezing)
	Surrounding air humidity	With circuit board coating (conforming to IEC60721-3-3 3C2/3S2): 95% RH or less (non-condensing) Without circuit board coating: 90% RH or less (non-condensing)
	Storage temperature^{*2}	-20°C to +65°C
	Atmosphere	Indoors (without corrosive gas, flammable gas, oil mist, dust and dirt, etc.)
	Altitude/vibration	Maximum 2500 m (for the installation at an altitude above 1,000 m, derate the rated current 3% per 500 m.), 5.9 m/s ² or less at 10 to 55 Hz (directions of X, Y, Z axes)

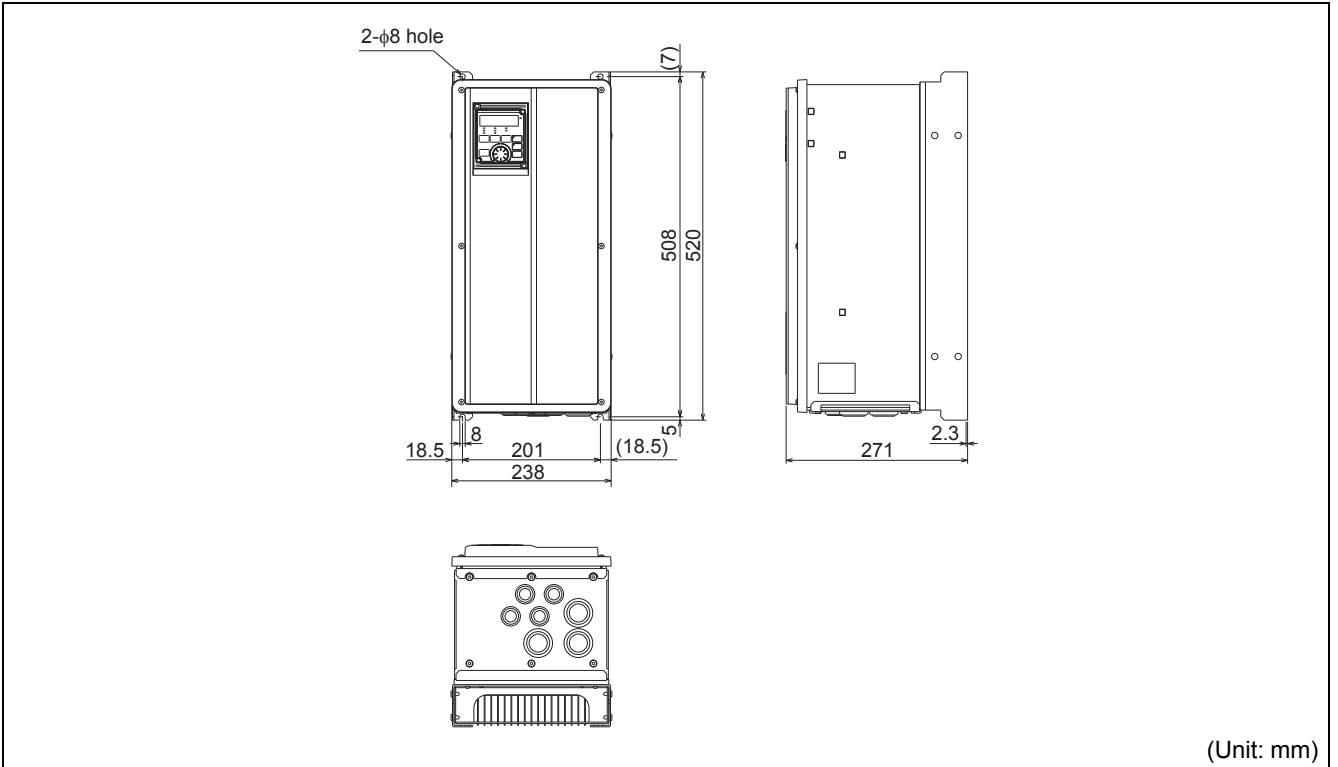
*1 This protective function is not available in the initial status.

*2 Temperature applicable for a short time, e.g. in transit.

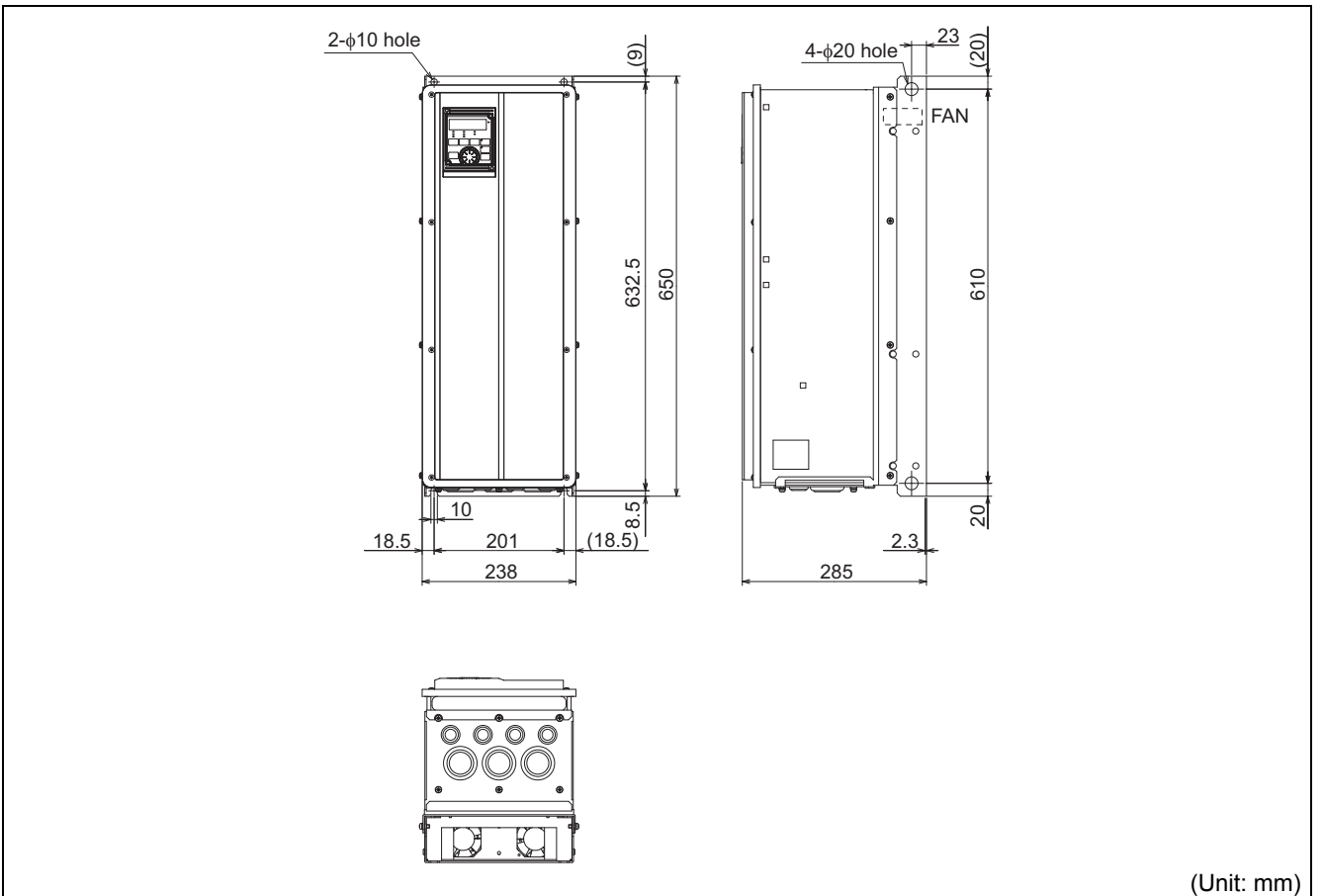
*3 2.9 m/s² or less for the FR-F846-01800(75K) or higher.

6.3 Inverter outline dimension drawings

FR-F846-00023(0.75K) to 00170(7.5K)

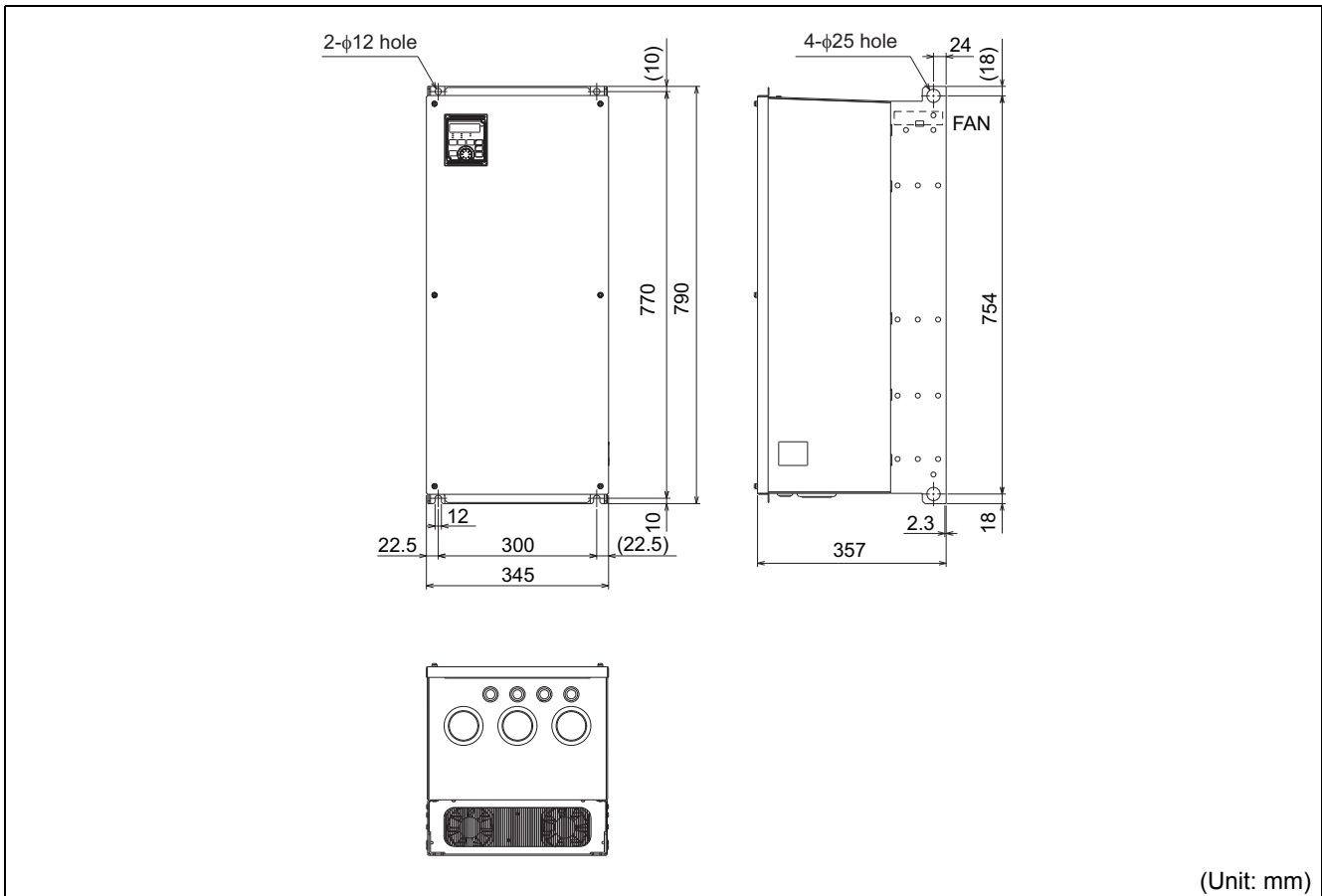


FR-F846-00250(11K) to 00470(22K)

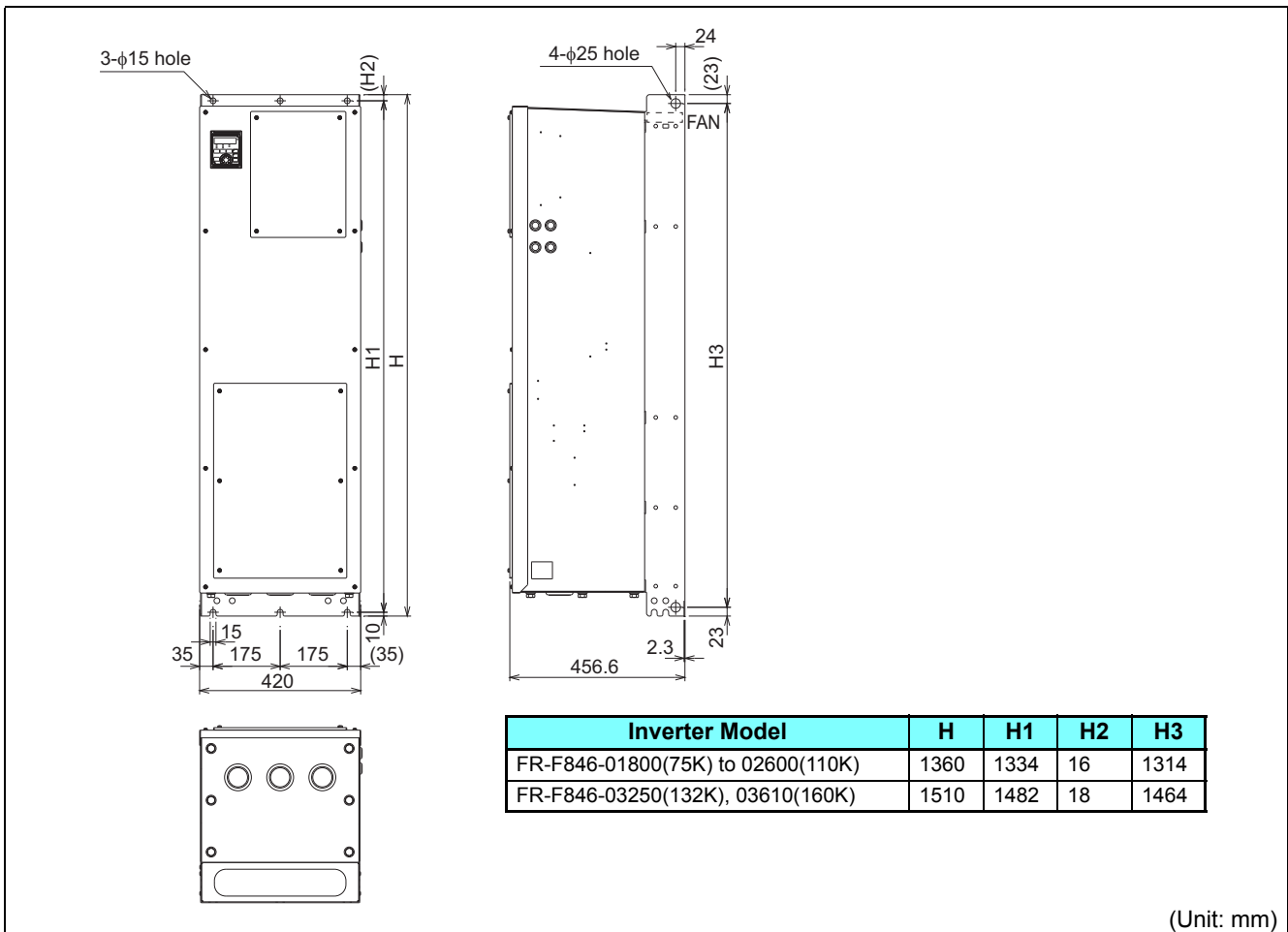


Inverter outline dimension drawings

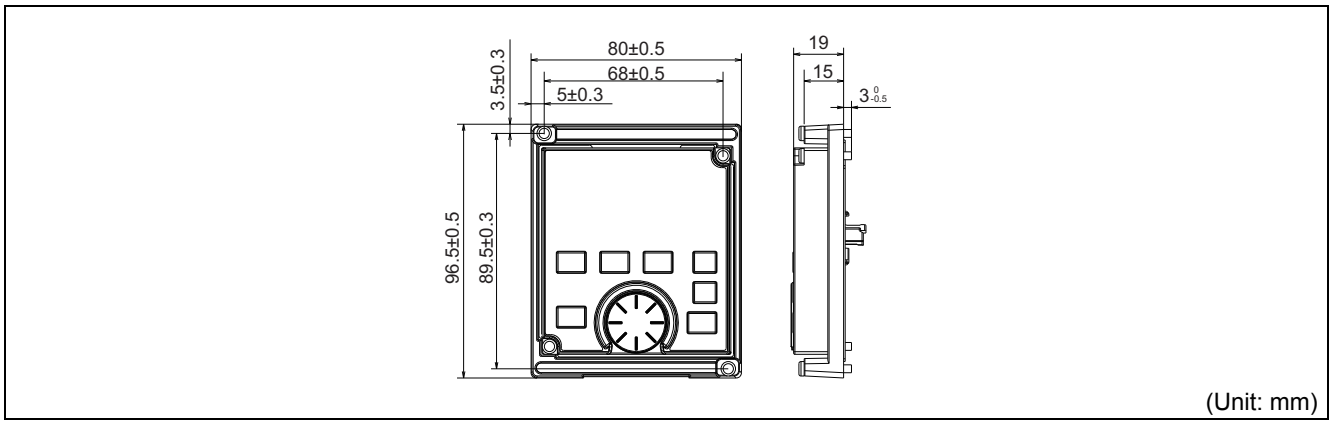
FR-F846-00620(30K) to 01160(55K)



FR-F846-01800(75K) to 03610(160K)



Operation panel (FR-DU08-01)



(Unit: mm)

NOTE

- For the outline dimensions of the dedicated motors, refer to the FR-F800 Instruction Manual (Detailed).

MEMO



APPENDIX

APPENDIX provides the reference information for use of this product.
Refer to APPENDIX as required.

Appendix 1 Differences and compatibility with the FR-F840.....	120
Appendix 2 Instructions for compliance with the EU Directives..	121
Appendix 3 Instructions for UL and cUL	124
Appendix 4 Instructions for EAC.....	126
Appendix 5 Restricted Use of Hazardous Substances in Electronic and Electrical Products	127

Appendix 1 Differences and compatibility with the FR-F840

Item	FR-F840	FR-F846
Protective structure	Enclose type (IP20): FR-F840-00620(30K) or lower Open type (IP00): FR-F840-00770(37K) or higher	Dust- and water-proof type (IP55): all capacities
Multiple rating (Pr.570 Multiple rating setting)	SLD, LD (initial setting) rating (Setting range "0, 1")	Not applicable(LD rating equivalent) (None (setting unavailable))
Internal fan	None	Provided
Protective function	—	Internal-circulation fan alarm (FN2), Abnormal internal temperature (E.IAH) provided
Pr.30 Regenerative function selection	Setting range "0 to 2, 10, 11, 20, 21, 100 to 102, 110, 111, 120, 121"	Setting range "0, 2, 10, 20, 100, 102, 110, 120"
Pr.71 Applied motor	Setting range "0 to 6, 13 to 16, 20, 23, 24, 40, 43, 44, 50, 53, 54, 70, 73, 74, 210, 213, 214, 240, 243, 244, 8090, 8093, 8094, 9090, 9093, 9094"	Setting range "0 to 6, 13 to 16, 20, 23, 24, 40, 43, 44, 50, 53, 54, 70, 73, 74, 8090, 8093, 8094, 9090, 9093, 9094"
Pr.255 Life alarm status display	Setting range (reading only) "0 to 15"	Setting range (reading only) "0 to 31"
Pr.998 PM parameter initialization	Setting range "0, 12, 14, 112, 114, 8009, 8109, 9009, 9109"	Setting range "0, 8009, 8109, 9009, 9109"
DC reactor	Option	Built-in
Operation panel	FR-DU08: IP40 (except for the PU connector section)	FR-DU08-01: IP55 (except for the PU connector section)

Appendix 2 Instructions for compliance with the EU Directives

The EU Directives are issued to standardize different national regulations of the EU Member States and to facilitate free movement of the equipment, whose safety is ensured, in the EU territory.

Since 1996, compliance with the EMC Directive that is one of the EU Directives has been legally required. Since 1997, compliance with the Low Voltage Directive, another EU Directive, has been also legally required. When a manufacturer confirms its equipment to be compliant with the EMC Directive and the Low Voltage Directive, the manufacturer must declare the conformity and affix the CE marking.

- The authorized representative in the EU
The authorized representative in the EU is shown below.
Name: Mitsubishi Electric Europe B.V.
Address: Mitsubishi-Electric-Platz 1, 40882 Ratingen, Germany

◆ EMC Directive

We declare that this inverter conforms with the EMC Directive and affix the CE marking on the inverter.

- EMC Directive: 2014/30/EU
- Standard(s): EN61800-3:2004+A1:2012 (First environment / PDS Category "C2", Second environment / PDS Category "C3"*1)
- *1 The applicable standard depends on the built-in EMC filter.
- Please ensure you chose the right inverter for the intended environment.
- The installer shall provide a guide for installation and use, including recommended mitigation devices.

Note:

First environment

Environment including buildings/facilities which are directly connected to a low voltage main supply which also supplies residential buildings.

Directly connected means that there is no intermediate transformer between these buildings.

Second environment

Environment including all buildings/facilities which are not directly connected to a low voltage main supply which also supplies residential buildings.

◆ Note

Set the EMC filter valid and install the inverter and perform wiring according to the following instructions.

- This inverter is equipped with an EMC filter. Enable the EMC filter. (For details, refer to [page 64.](#))
- Connect the inverter to an earthed power supply.
- Install a motor and a control cable written in the EMC Installation Manual (BCN-A21041-204) and Technical News (MF-S-143) according to the instruction.
- Confirm that the final application conforms with the required EMC standard.
- The FR-F846 models are equipped with a harmonic suppression DC-choke. If the inverter has an input current of 16 A or less, limits for harmonic current emissions of EN/IEC61000-3-2 shall apply. However, for professional equipment with a total rated power of 1 kW or higher, the limits for harmonic current emissions of EN/IEC61000-3-2 shall not apply. If the equipment input current is more than 16 A and does not exceed 75 A, the equipment complies with EN/IEC61000-3-12 provided that the short-circuit power S_{sc} is greater than or equal to the value provided in the table below at the interface point between the user's supply and the public system. It is the responsibility of the installer or user of the equipment to ensure, by consultation with the distribution network operator if necessary, that the equipment is connected only to a supply with a short-circuit power S_{sc} greater than or equal to the value mentioned in the table below. If the equipment input current is more than 75 A and the power supply capacity is 100 kVA or more, limits for the harmonic current emissions of IEC61000-3-4 shall apply. However, the equipment complies with IEC61000-3-4 provided that the short-circuit ratio R_{sce} is greater than or equal to the value provided in the table below.

Inverter model	Standard	Ssc	Rsce
FR-F846-00250(11K)	EN/IEC61000-3-12	3059 kVA	≥120
FR-F846-00310(15K)		3858 kVA	
FR-F846-00380(18.5K)		4656 kVA	
FR-F846-00470(22K)		5720 kVA	
FR-F846-00620(30K)		7582 kVA	
FR-F846-00770(37K)		9312 kVA	
FR-F846-00930(45K)		11307 kVA	
FR-F846-01160(55K)		14100 kVA	
FR-F846-01800(75K)		19155 kVA	
FR-F846-02160(90K)		IEC61000-3-4	
FR-F846-02600(110K)	—		
FR-F846-03250(132K)	—		
FR-F846-03610(160K)	—		

- Limitations of voltage variations, voltage fluctuations, and blinking for the low-voltage power supply systems are specified as shown below.

Inverter model	Standard	Remarks
FR-F846-00023(0.75K)	EN/IEC61000-3-3	
FR-F846-00038(1.5K)		
FR-F846-00052(2.2K)		
FR-F846-00083(3.7K)		
FR-F846-00126(5.5K)		
FR-F846-00170(7.5K)		
FR-F846-00250(11K)		
FR-F846-00310(15K)		
FR-F846-00380(18.5K)		
FR-F846-00470(22K)	EN/IEC61000-3-11	The equipment is intended for use only in premises having a supply current capacity ≥100 A per phase.
FR-F846-00620(30K)		
FR-F846-00770(37K)	—	
FR-F846-00930(45K)	—	
FR-F846-01160(55K)	—	
FR-F846-01800(75K)	—	
FR-F846-02160(90K)	—	
FR-F846-02600(110K)	—	
FR-F846-03250(132K)	—	
FR-F846-03610(160K)	—	

◆ Low Voltage Directive

We have self-confirmed our inverters as products compliant to the Low Voltage Directive (Conforming standard EN 61800-5-1) and affix the CE marking on the inverters.

◆ Outline of instructions

- Do not use an earth leakage current breaker as an electric shock protector without connecting the equipment to the earth. Connect the equipment to the earth securely.
- Wire the earth terminal independently. (Do not connect two or more cables to one terminal.)
- Use the cable sizes on [page 29](#) under the following conditions.
 - Ambient temperature: 40°C (104°F) maximum

If conditions are different from above, select appropriate wire according to EN60204 Appendix C TABLE 5.
- Use a tinned (plating should not include zinc) crimping terminal to connect the earth (ground) cable. When tightening the screw, be careful not to damage the threads.

For use as a product compliant with the Low Voltage Directive, use PVC cable whose size is indicated on [page 29](#).
- Use the moulded case circuit breaker and magnetic contactor which conform to the EN or IEC Standard.
- DC current may flow from the inverter to a protective earth (ground) conductor. When using a residual current device (RDC) or residual current monitor (RDM), connect a type B RCD or RCM to the power supply side.
- Use the inverter under the conditions of overvoltage category II (usable regardless of the earth (ground) condition of the power supply), overvoltage category III (usable with the earthed-neutral system power supply, 400 V class only) and pollution degree 2 or lower specified in IEC60664.
- On the input and output of the inverter, use cables of the type and size set forth in EN60204 Appendix C.
- The operating capacity of the relay outputs (terminal symbols A1, B1, C1, A2, B2, C2) should be 30VDC, 0.3A. (Relay output has basic isolation from the inverter internal circuit.)
- Control circuit terminals on [page 21](#) are safely isolated from the main circuit.
- Environment (For the detail, refer to [page 18](#).)

	During Operation	In Storage	During Transportation
Ambient temperature	-10 to +40°C	-20 to +65°C	-20 to +65°C
Ambient humidity	95% RH or less	95% RH or less	95% RH or less
Maximum altitude	2500 m*1	2500 m	10000 m

*1 For the installation at an altitude above 1000 m, consider a 3% reduction in the rated current per 500 m increase in altitude.

- Install the inverter at a place where ultraviolet radiation is not applied directly.

◆ Branch circuit protection

Class T, Class J, Class CC fuse, or UL 489 Molded Case Circuit Breaker (MCCB) must be provided.

FR-F846-□	00023 (0.75K)	00038 (1.5K)	00052 (2.2K)	00083 (3.7K)	00126 (5.5K)	00170 (7.5K)	00250 (11K)	00310 (15K)	00380 (18.5K)	00470 (22K)
Rated fuse voltage (V)	500 V or more									
Fuse allowable rating (A)	6	10	10	15	25	35	60	70	90	100
Molded case circuit breaker (MCCB) Maximum allowable rating (A) *1	15	15	15	20	30	40	60	70	90	100

FR-F846-□	00620 (30K)	00770 (37K)	00930 (45K)	01160 (55K)	01800 (75K)	02160 (90K)	02600 (110K)	03250 (132K)	03610 (160K)
Rated fuse voltage (V)	500 V or more								
Fuse allowable rating (A)	125	150	175	200	250	300	350	400	500
Molded case circuit breaker (MCCB) Maximum allowable rating (A) *1	150	175	225	250	450	450	500	—	—

*1 Maximum allowable rating by US National Electrical Code. Exact size must be chosen for each installation.

◆ Short circuit ratings

- 400 V class

Suitable For Use in A Circuit Capable of Delivering Not More Than 100 kA rms Symmetrical Amperes, 500 V Maximum.

Appendix 3 Instructions for UL and cUL

(Standard to comply with: UL 508C, CSA C22.2 No.274-13)

◆ General precaution

CAUTION - Risk of Electric Shock -

The bus capacitor discharge time is 10 minutes. Before starting wiring or inspection, switch power off, wait for more than 10 minutes.

ATTENTION - Risque de choc électrique -

La durée de décharge du condensateur de bus est de 10 minutes. Avant de commencer le câblage ou l'inspection, mettez l'appareil hors tension et attendez plus de 10 minutes.

◆ Installation

The below types of inverter have been approved as products for a UL type12 enclosure that is suitable for Installation in a Compartment Handling Conditioned Air (Plenum).

Install the inverter so that the ambient temperature, humidity and ambience of the inverter will satisfy the specifications. (Refer to [page 18](#).)

The drive must be installed in clean air according to enclosure classification.

Cooling air must be clean, free from corrosive materials and electrically conductive dust regarding the UL Type 12 enclosure.

This enclosure provides protection from airborne dust and light sprays or splashing water from all directions.

◆ Branch circuit protection

For installation in the United States, Class T, Class J, or Class CC fuse, or UL 489 Molded Case Circuit Breaker (MCCB) must be provided, in accordance with the National Electrical Code and any applicable local codes.

For installation in Canada, Class T, Class J, or Class CC fuse, or UL 489 Molded Case Circuit Breaker (MCCB) must be provided, in accordance with the Canadian Electrical Code and any applicable local codes.

FR-F846-□	00023 (0.75K)	00038 (1.5K)	00052 (2.2K)	00083 (3.7K)	00126 (5.5K)	00170 (7.5K)	00250 (11K)	00310 (15K)	00380 (18.5K)	00470 (22K)
Rated fuse voltage (V)	500 V or more									
Fuse allowable rating (A)	6	10	10	15	25	35	60	70	90	100
Molded case circuit breaker (MCCB) Maximum allowable rating (A) *1*2	15	15	15	20	30	40	60	70	90	100

FR-F846-□	00620 (30K)	00770 (37K)	00930 (45K)	01160 (55K)	01800 (75K)	02160 (90K)	02600 (110K)	03250 (132K)	03610 (160K)
Rated fuse voltage (V)	500 V or more								
Fuse allowable rating (A)	125	150	175	200	250	300	350	400	500
Molded case circuit breaker (MCCB) Maximum allowable rating (A) *1*2	150	175	225	250	450	450	500	—	—

*1 Maximum allowable rating by the US National Electrical Code. Exact size must be chosen for each installation.

*2 Select an appropriate molded case circuit breaker with a rating that is suitable for the size of the cable.

◆ Wiring to the power supply and the motor

Refer to the National Electrical Code (Article 310) regarding the allowable current of the cable. Select the cable size for 125% of the rated current according to the National Electrical Code (Article 430).

For wiring the input (R/L1, S/L2, T/L3) and output (U, V, W) terminals of the inverter, use the UL listed copper, stranded wires (rated at 75°C) and round crimping terminals. Crimp the crimping terminals with the crimping tool recommended by the terminal maker.

◆ Short circuit ratings

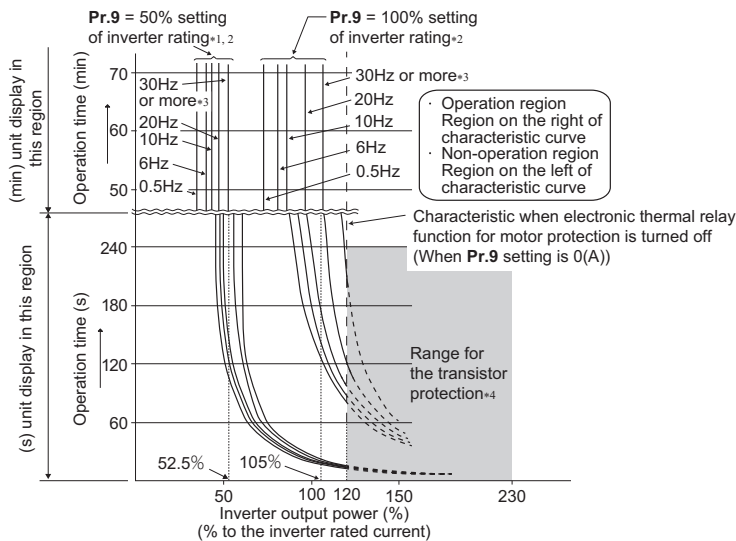
- 400 V class

Suitable For Use in A Circuit Capable of Delivering Not More Than 100 kA rms Symmetrical Amperes, 500 V Maximum.

◆ Motor overload protection

When using the electronic thermal relay function as motor overload protection, set the rated motor current in **Pr.9 Electronic thermal O/L relay**.

Operation characteristics of electronic thermal relay function



This function detects the overload (overheat) of the motor, stops the operation of the inverter's output transistor, and stops the output. (The operation characteristic is shown on the left.)

- When using the Mitsubishi Electric constant-torque motor

- (1) Set one of "1", "13" to "16", "50", "53", "54" in **Pr.71**. (This provides a 100% continuous torque characteristic in the low-speed range.)
- (2) Set the rated current of the motor in **Pr.9**.

- *1 When a value 50% of the inverter rated output current (current value) is set in **Pr.9**
- *2 The % value denotes the percentage to the inverter rated current. It is not the percentage to the rated motor current.
- *3 When you set the electronic thermal relay function dedicated to the Mitsubishi Electric constant-torque motor, this characteristic curve applies to operation at 6 Hz or higher.
- *4 Transistor protection is activated depending on the temperature of the heatsink. The protection may be activated even with less than 120% depending on the operating conditions.

NOTE

- The internal accumulated heat value of the electronic thermal relay function is reset by inverter power reset and reset signal input. Avoid unnecessary reset and power-OFF.
- When multiple motors are driven with a single inverter or when a multi-pole motor or a special motor is driven, install an external thermal relay (OCR) between the inverter and motors. Note that the current indicated on the motor rating plate is affected by the line-to-line leakage current (refer to [page 60](#)) when selecting the setting for an external thermal relay.
- The cooling effect of the motor drops during low-speed operation. Use a thermal protector or a motor with built-in thermistor.
- When the difference between the inverter and motor capacities is large and the setting is small, the protective characteristics of the electronic thermal relay function will be deteriorated. In this case, use an external thermal relay.
- A special motor cannot be protected by the electronic thermal relay function. Use an external thermal relay.
- Motor over temperature sensing is not provided by the drive.

Appendix 4 Instructions for EAC

EAC

The product certified in compliance with the Eurasian Conformity has the EAC marking.

Note: EAC marking

In 2010, three countries (Russia, Belarus, and Kazakhstan) established a Customs Union for the purposes of revitalizing the economy by forming a large economic bloc by abolishing or reducing tariffs and unifying regulatory procedures for the handling of articles.

Products to be distributed over these three countries of the Customs Union must comply with the Customs Union Technical Regulations (CU-TR), and the EAC marking must be affixed to the products.

For information on the country of origin, manufacture year and month, and authorized sales representative (importer) in the CU area of this product, refer to the following:

- Country of origin indication
Check the rating plate of the product. (Refer to [page 8](#).)
Example: MADE IN JAPAN
- Manufactured year and month
Check the SERIAL number indicated on the rating plate of the product. (Refer to [page 8](#).)
- Authorized sales representative (importer) in the CU area
The authorized sales representative (importer) in the CU area is shown below.
Name: Mitsubishi Electric (Russia) LLC
Address: 52, bld 1 Kosmodamianskaya Nab 115054, Moscow, Russia
Phone: +7 (495) 721-2070
Fax: +7 (495) 721-2071

Appendix 5 Restricted Use of Hazardous Substances in Electronic and Electrical Products

The mark of restricted use of hazardous substances in electronic and electrical products is applied to the product as follows based on the "Management Methods for the Restriction of the Use of Hazardous Substances in Electrical and Electronic Products" of the People's Republic of China.

电器电子产品有害物质限制使用标识要求



本产品中所含有的有害物质的名称、含量、含有部件如下表所示。

- 产品中所含有害物质的名称及含量

部件名称 *2	有害物质 *1					
	铅 (Pb)	汞 (Hg)	镉 (Cd)	六价铬 (Cr (VI))	多溴联苯 (PBB)	多溴二苯醚 (PBDE)
电路板组件 (包括印刷电路板及其构成的零部件, 如电阻、电容、集成电路、连接器等)、电子部件	×	○	×	○	○	○
金属壳体、金属部件	×	○	○	○	○	○
树脂壳体、树脂部件	○	○	○	○	○	○
螺丝、电线	○	○	○	○	○	○

上表依据 SJ/T11364 的规定编制。

○: 表示该有害物质在该部件所有均质材料中的含量均在 GB/T26572 规定的限量要求以下。

×: 表示该有害物质在该部件的至少一种均质材料中的含量超出 GB/T26572 规定的限量要求。

*1 即使表中记载为 ×, 根据产品型号, 也可能会有有害物质的含量为限制值以下的情况。

*2 根据产品型号, 一部分部件可能不包含在产品中。

WARRANTY

When using this product, make sure to understand the warranty described below.

1. Warranty period and coverage

We will repair any failure or defect (hereinafter referred to as "failure") in our FA equipment (hereinafter referred to as the "Product") arisen during warranty period at no charge due to causes for which we are responsible through the distributor from which you purchased the Product or our service provider. However, we will charge the actual cost of dispatching our engineer for an on-site repair work on request by customer in Japan or overseas countries. We are not responsible for any on-site readjustment and/or trial run that may be required after a defective unit are repaired or replaced.

[Term]

The term of warranty for Product is twelve months after your purchase or delivery of the Product to a place designated by you or eighteen months from the date of manufacture whichever comes first ("Warranty Period"). Warranty period for repaired Product cannot exceed beyond the original warranty period before any repair work.

[Limitations]

- (1) You are requested to conduct an initial failure diagnosis by yourself, as a general rule. It can also be carried out by us or our service company upon your request and the actual cost will be charged.
However, it will not be charged if we are responsible for the cause of the failure.
- (2) This limited warranty applies only when the condition, method, environment, etc. of use are in compliance with the terms and conditions and instructions that are set forth in the instruction manual and user manual for the Product and the caution label affixed to the Product.
- (3) Even during the term of warranty, the repair cost will be charged on you in the following cases;
 - a failure caused by your improper storing or handling, carelessness or negligence, etc., and a failure caused by your hardware or software problem
 - a failure caused by any alteration, etc. to the Product made on your side without our approval
 - a failure which may be regarded as avoidable, if your equipment in which the Product is incorporated is equipped with a safety device required by applicable laws and has any function or structure considered to be indispensable according to a common sense in the industry
 - a failure which may be regarded as avoidable if consumable parts designated in the instruction manual, etc. are duly maintained and replaced
 - any replacement of consumable parts (condenser, cooling fan, etc.)
 - a failure caused by external factors such as inevitable accidents, including without limitation fire and abnormal fluctuation of voltage, and acts of God, including without limitation earthquake, lightning and natural disasters
 - a failure generated by an unforeseeable cause with a scientific technology that was not available at the time of the shipment of the Product from our company
 - any other failures which we are not responsible for or which you acknowledge we are not responsible for

2. Term of warranty after the stop of production

- (1) We may accept the repair at charge for another seven (7) years after the production of the product is discontinued. The announcement of the stop of production for each model can be seen in our Sales and Service, etc.
- (2) Please note that the Product (including its spare parts) cannot be ordered after its stop of production.

3. Service in overseas

Our regional FA Center in overseas countries will accept the repair work of the Product; however, the terms and conditions of the repair work may differ depending on each FA Center. Please ask your local FA center for details.

4. Exclusion of loss in opportunity and secondary loss from warranty liability

Regardless of the gratis warranty term, Mitsubishi shall not be liable for compensation to:

- (1) Damages caused by any cause found not to be the responsibility of Mitsubishi.
- (2) Loss in opportunity, lost profits incurred to the user by Failures of Mitsubishi products.
- (3) Special damages and secondary damages whether foreseeable or not, compensation for accidents, and compensation for damages to products other than Mitsubishi products.
- (4) Replacement by the user, maintenance of on-site equipment, start-up test run and other tasks.

5. Change of Product specifications

Specifications listed in our catalogs, manuals or technical documents may be changed without notice.

6. Application and use of the Product

- (1) For the use of our product, its applications should be those that may not result in a serious damage even if any failure or malfunction occurs in product, and a backup or fail-safe function should operate on an external system to product when any failure or malfunction occurs.
- (2) Our product is designed and manufactured as a general purpose product for use at general industries.
Therefore, applications substantially influential on the public interest for such as atomic power plants and other power plants of electric power companies, and also which require a special quality assurance system, including applications for railway companies and government or public offices are not recommended, and we assume no responsibility for any failure caused by these applications when used.
In addition, applications which may be substantially influential to human lives or properties for such as airlines, medical treatments, railway service, incineration and fuel systems, man-operated material handling equipment, entertainment machines, safety machines, etc. are not recommended, and we assume no responsibility for any failure caused by these applications when used.
We will review the acceptability of the abovementioned applications, if you agree not to require a specific quality for a specific application. Please contact us for consultation.

◆ About the enclosed CD-ROM

The enclosed CD-ROM contains PDF copies of the manuals related to this product.

◆ Before using the enclosed CD-ROM

- The copyright and other rights of the enclosed CD-ROM all belong to Mitsubishi Electric Corporation.
- No part of the enclosed CD-ROM may be copied or reproduced without the permission of Mitsubishi Electric Corporation.
- Specifications of the enclosed CD-ROM are subject to change for modification without notice.
- We are not responsible for any damages and lost earnings, etc. from use of the enclosed CD-ROM.
- Trademarks

Microsoft, Windows, and Internet Explorer are either registered trademarks or trademarks of Microsoft Corporation in the United States and/or other countries.

Windows Vista is either registered trademarks or trademark of Microsoft Corporation in the United States and/or other countries.

Adobe and Acrobat Reader are either registered trademarks or trademarks of Adobe Systems Incorporated in the United States and/or other countries.

Intel and Pentium are trademarks of Intel Corporation in the United States and/or other countries.

Any trade names and product names of companies herein are all trademarks or registered trademarks of those respective companies.

- Warranty

We do not provide a warranty against defects in the enclosed CD-ROM and related documents.



- This is a personal computer dedicated CD-ROM. Do not attempt to play it on ordinary audio devices. The loud volume may damage hearing and speakers.

◆ System requirements for the enclosed CD-ROM

- The following system is required to read instruction manuals contained in the enclosed CD-ROM.

Item	Specifications
OS	Microsoft® Windows® 10, Windows® 8.1, Windows® 8, Windows® 7, Windows Vista®
CPU	Intel® Pentium® or better processor
Memory	128 MB of RAM
Hard disk	90 MB of available hard-disk space
CD-ROM drive	Double speed or more (more than quadruple speed is recommended)
Monitor	800×600 dots or more
Application	Adobe® Reader® 7.0 or higher Internet Explorer® 6.0 or higher

◆ Operating method of the enclosed CD-ROM

- How to read instruction manuals

Step 1. Start a personal computer and place the enclosed CD-ROM in the CD-ROM drive.

Step 2. The main window automatically opens by the web browser.

Step 3. Choose your language from a language select menu.

Step 4. Click a manual you want to read in the "INSTRUCTION MANUAL" list.

Step 5. PDF manual you clicked opens.

- Manual opening of the enclosed CD-ROM

Step 1. Start a personal computer and place the enclosed CD-ROM in the CD-ROM drive.

Step 2. Open "index.html" file in the enclosed CD-ROM.

Step 3. The main window opens by the web browser. Follow the instructions from Step 3 of "How to read instruction manuals".

- PDF data of the instruction manual are stored in "MANUAL" folder on the enclosed CD-ROM.

mitsubishi electric corporation
HEAD OFFICE: TOKYO BUILDING 2-7-3, MARUNOUCHI, CHIYODA-KU, TOKYO 100-8310, JAPAN